



DOSATRON®

An Ingersoll Rand Business



D40MZ1000 - 40 GPM INTERACTIVE SCHEMATICS

UNIT SPECIFICATIONS

- 1:1000 - 1:100
- 4.3 - 116 PSI
- 1 1/2" NPT Connection

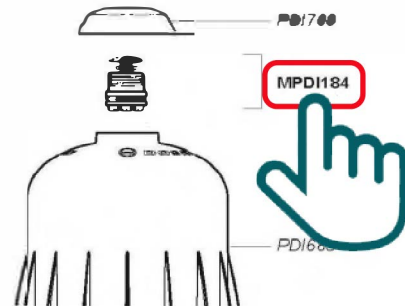
SUGGESTED INSTALLATION

- 200 mesh/80 micron water filter prior to the unit

SUGGESTED MAINTENANCE

- Mini-Maintenance Kit
Part #: [PJDI236-MINI](#)
For regular maintenance
- Injection Seal Kit
Part #: [PJDI236](#)
For yearly maintenance
- Rebuild Kit
Part #: [MKD40MZ1000](#)
Extends the life of your unit

DOCUMENT INSTRUCTIONS

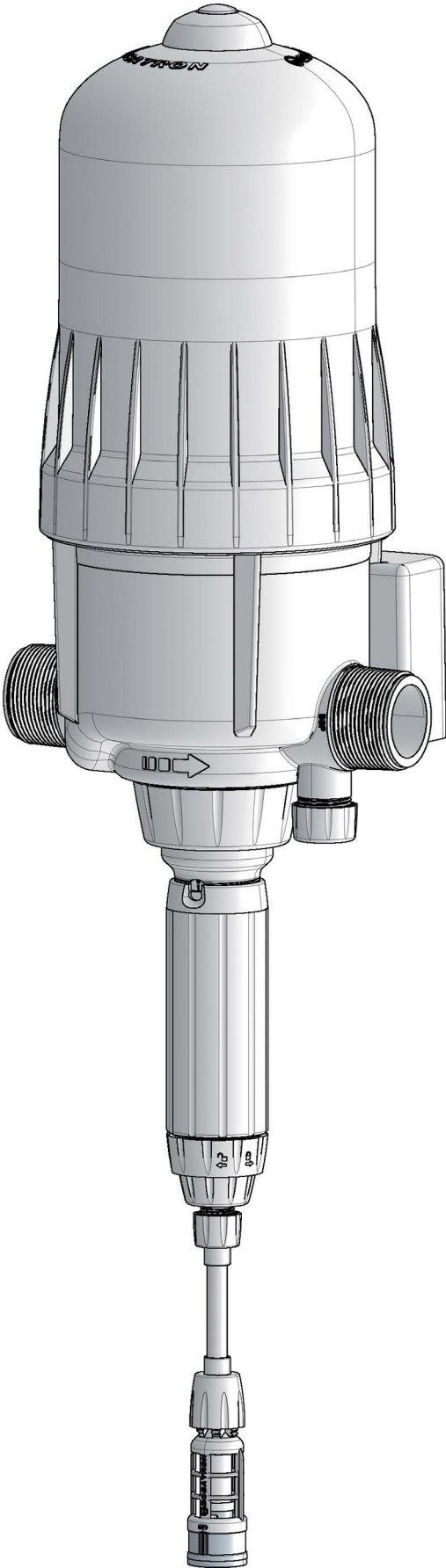


- Click on a part #, to visit item page
- Click arrow back from item page, to return to this document



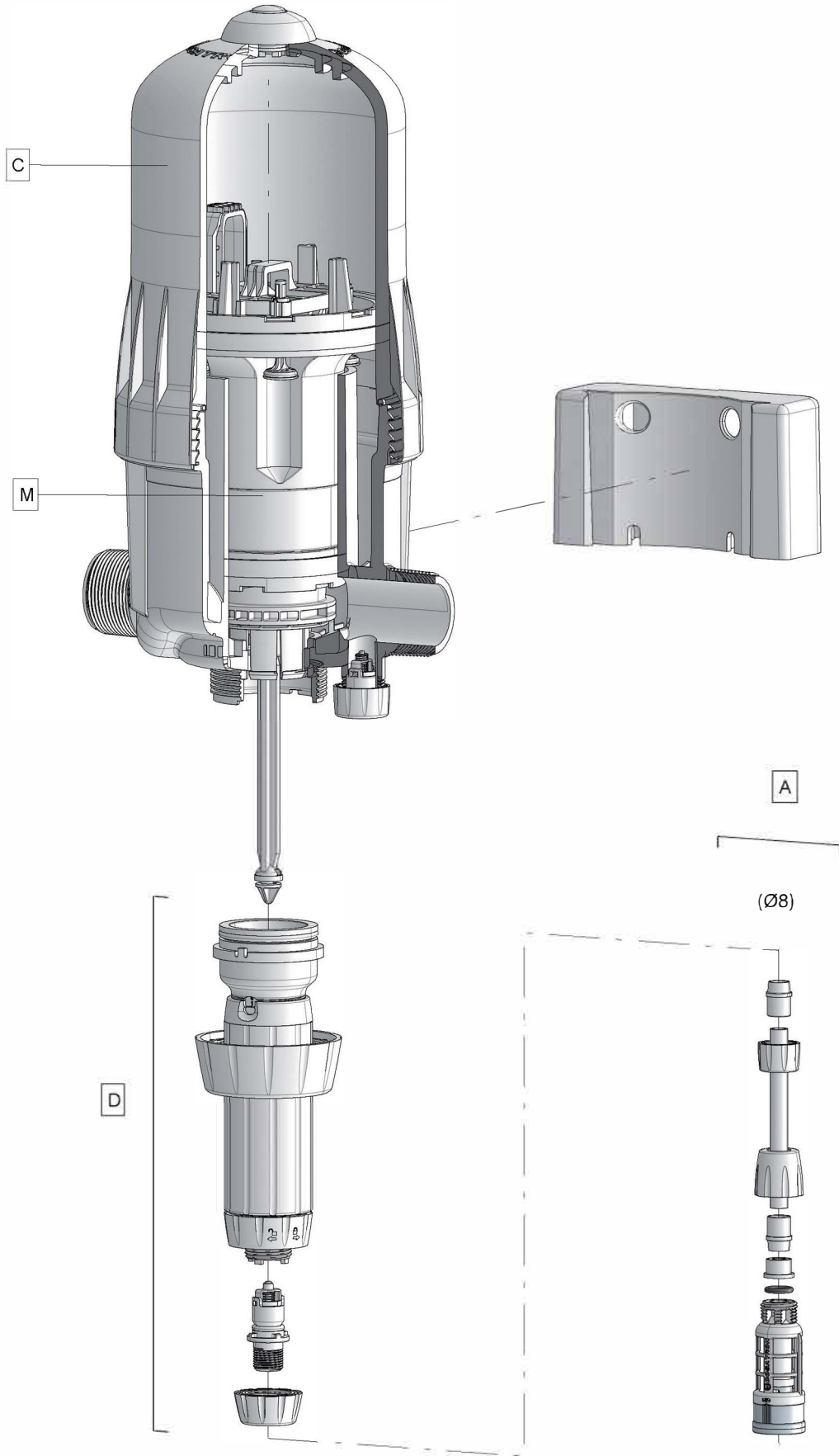
D40MZ1000

40GPM - 1:1000 - 1:100
9m³/h - 0.1 - 1%
4.3 - 116 psi
0.3 - 8 bar



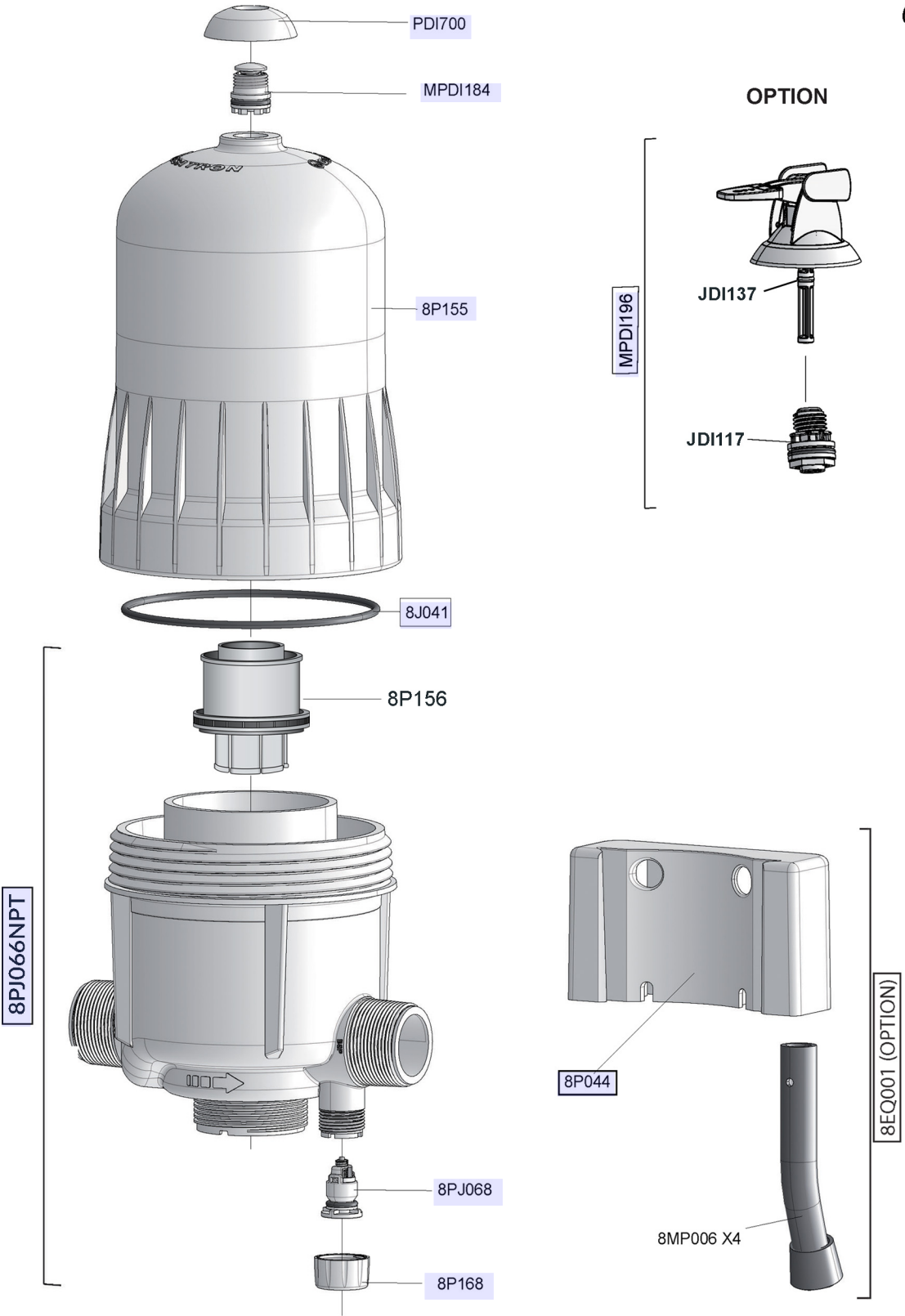
D40MZ1000

40GPM - 1:1000 - 1:100
9m³/h - 0.1 - 1%
4.3 - 116 psi
0.3 - 8 bar



D40MZ1000

40GPM - 1:1000 - 1:100
 9m³/h - 0.1 - 1%
 4.3 - 116 psi
 0.3 - 8 bar



C

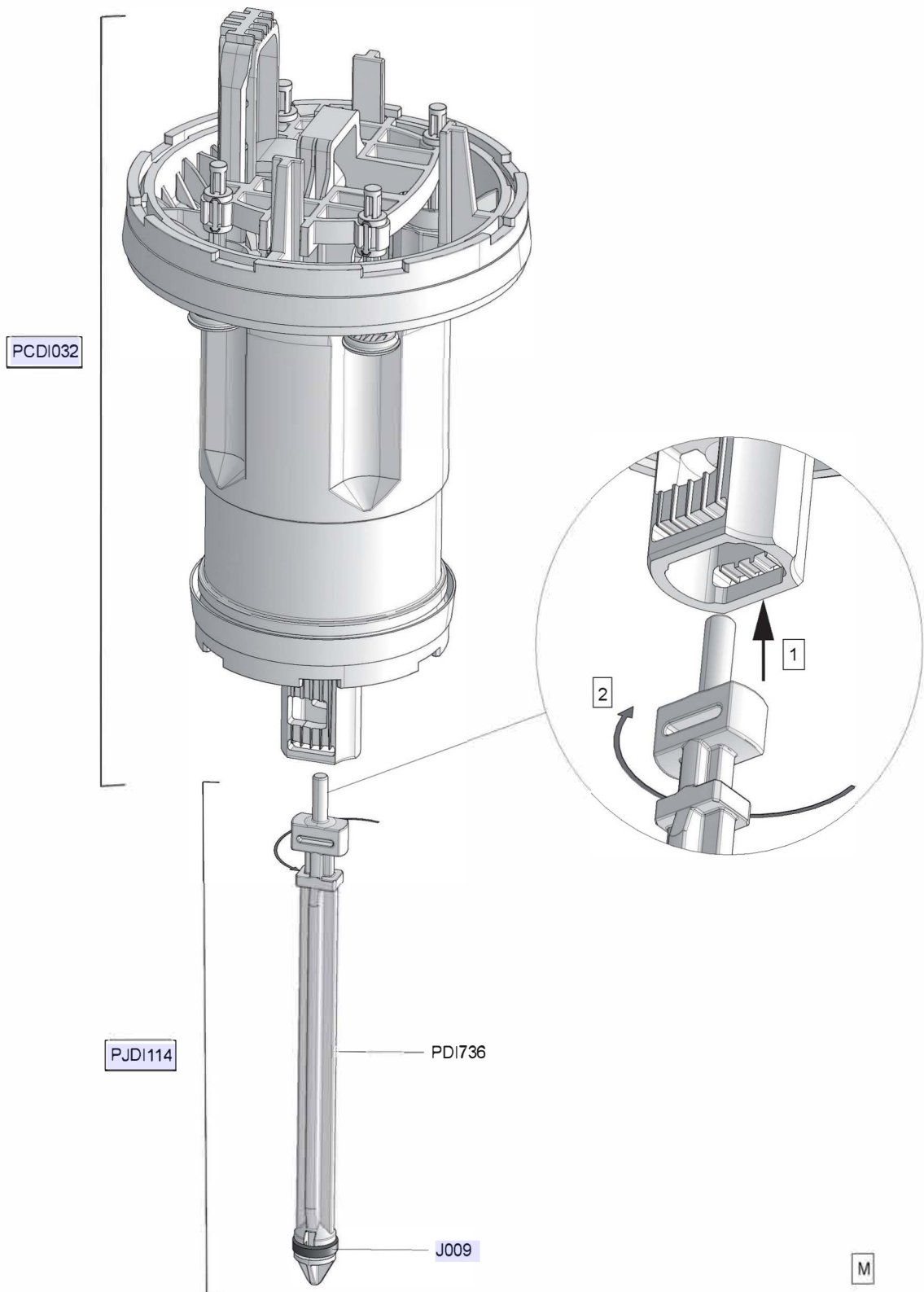
D40MZ1000

40GPM - 1:1000 - 1:100

9m³/h - 0.1 - 1%

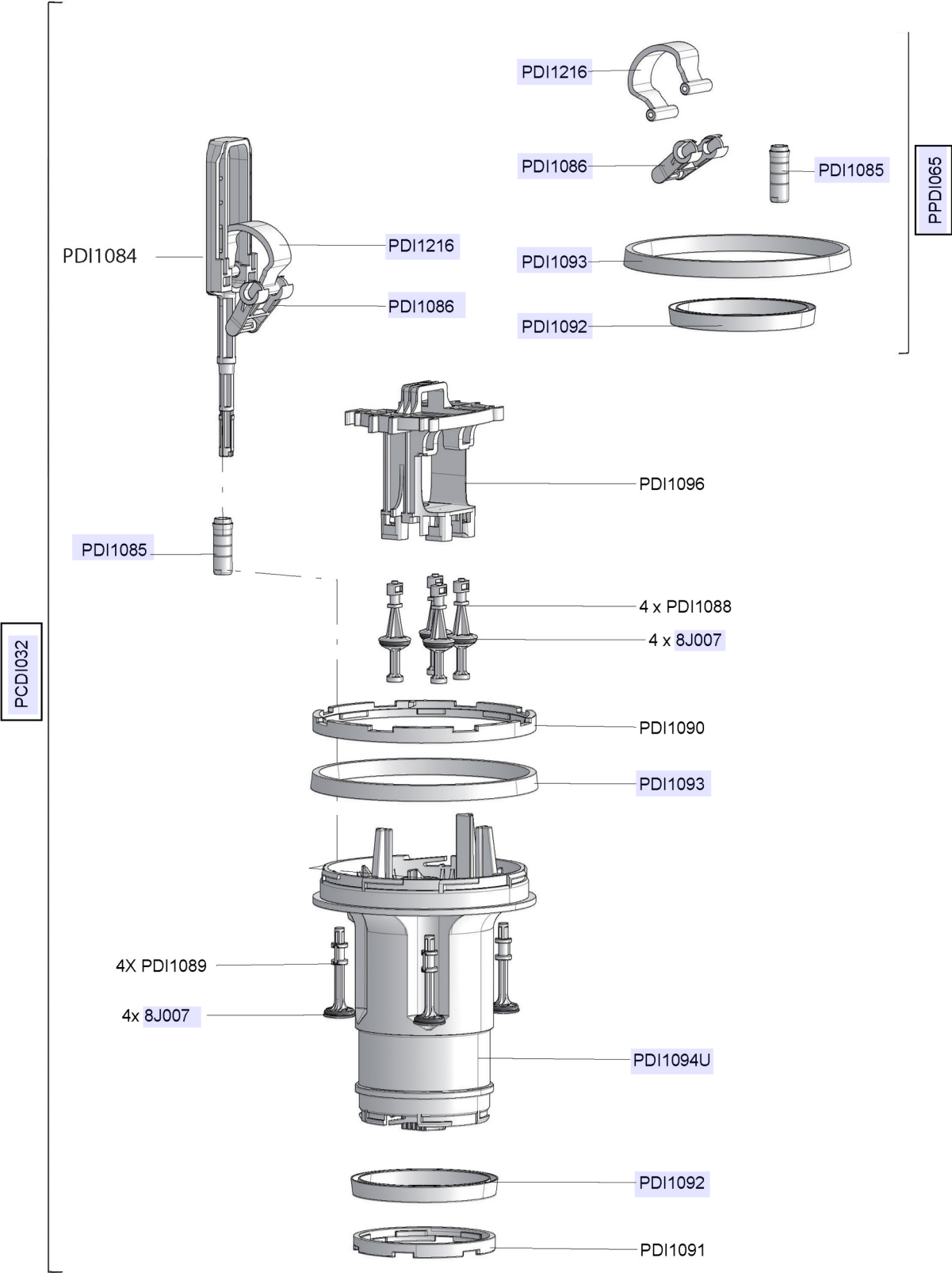
4.3 - 116 psi

0.3 - 8 bar



D40MZ1000

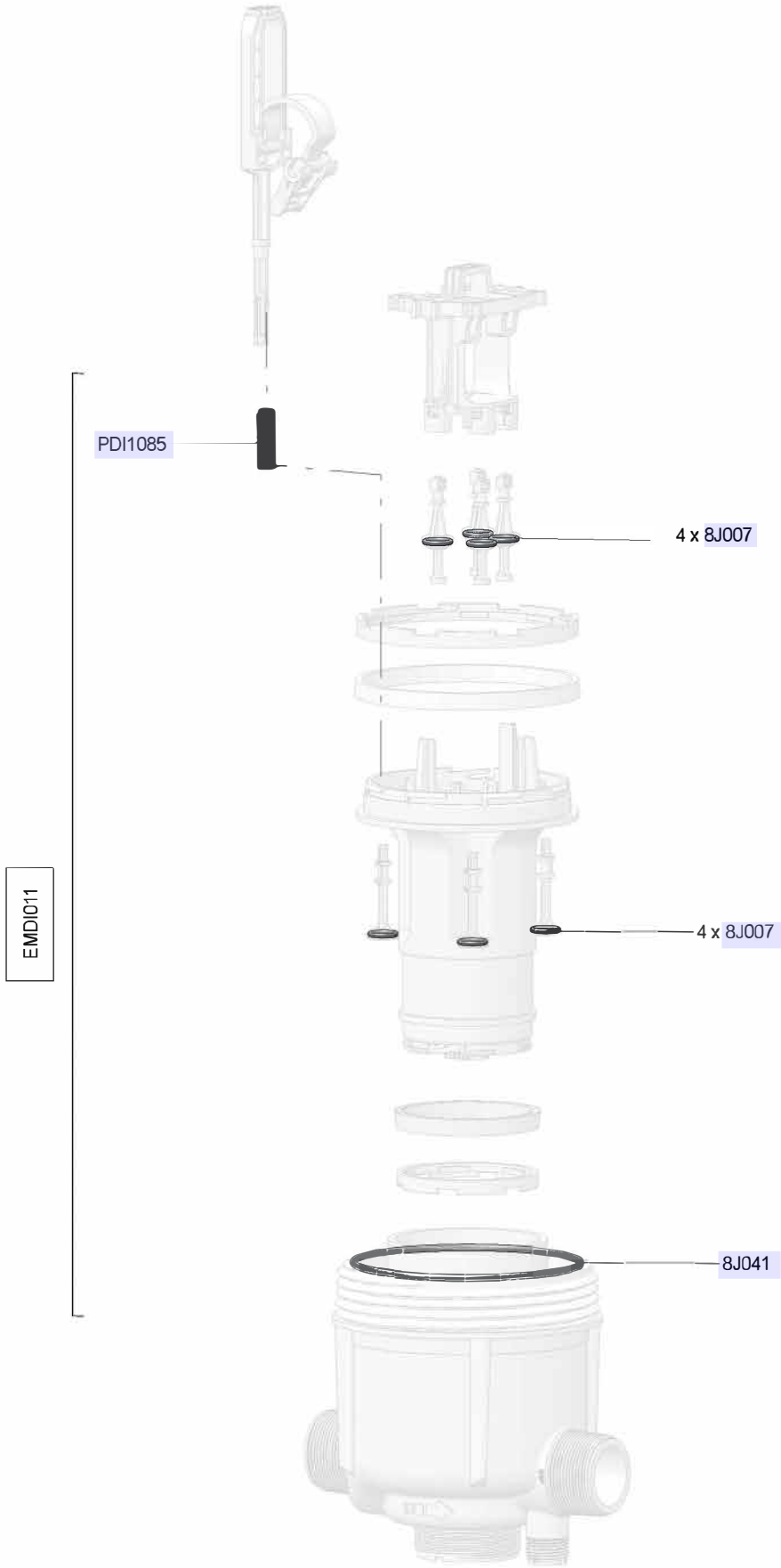
40GPM - 1:1000 - 1:100
 9m³/h - 0.1 - 1%
 4.3 - 116 psi
 0.3 - 8 bar



M

D40MZ1000

40GPM - 1:1000 - 1:100
9m³/h - 0.1 - 1%
4.3 - 116 psi
0.3 - 8 bar



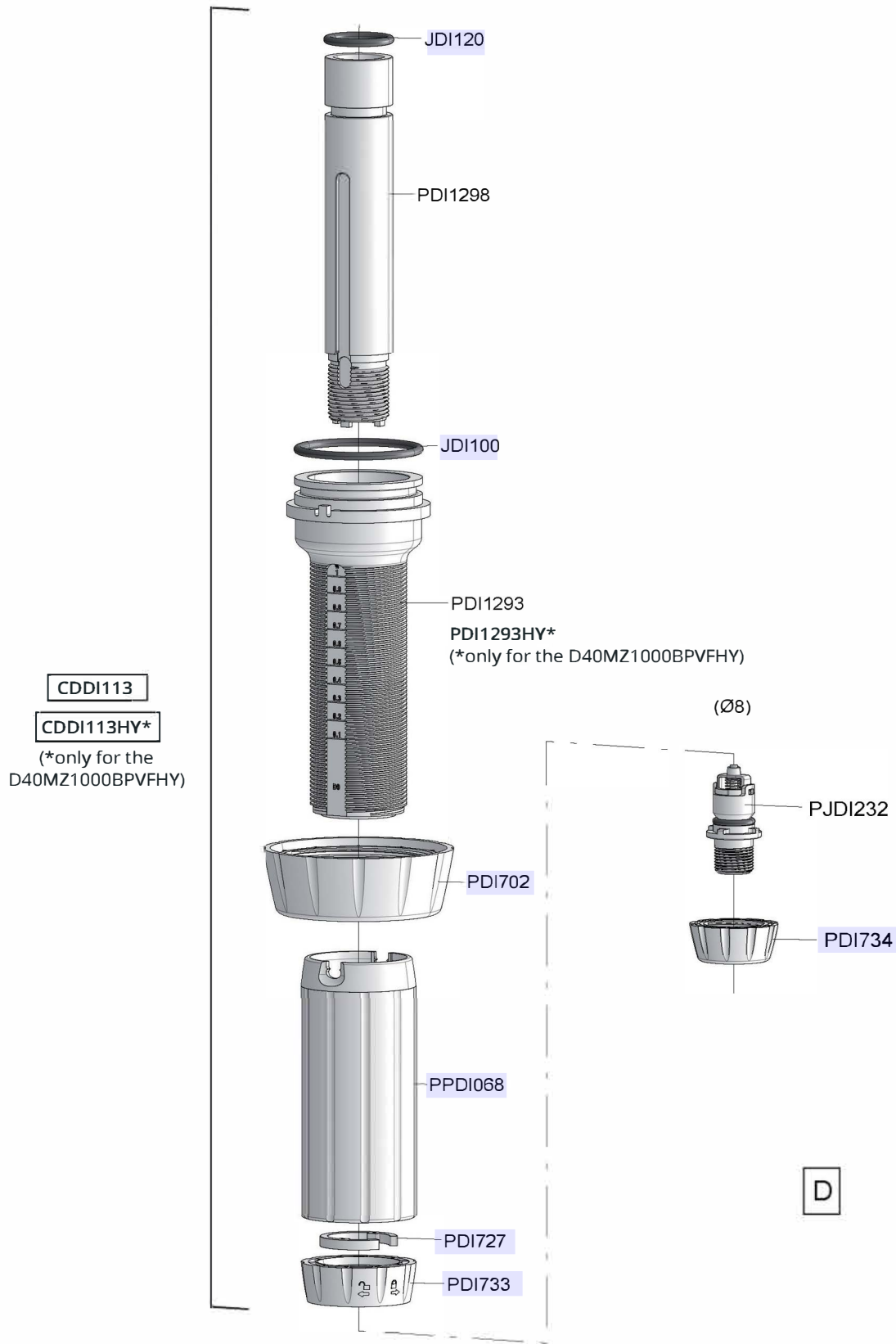
D40MZ1000

40GPM - 1:1000 - 1:100

9m³/h - 0.1 - 1%

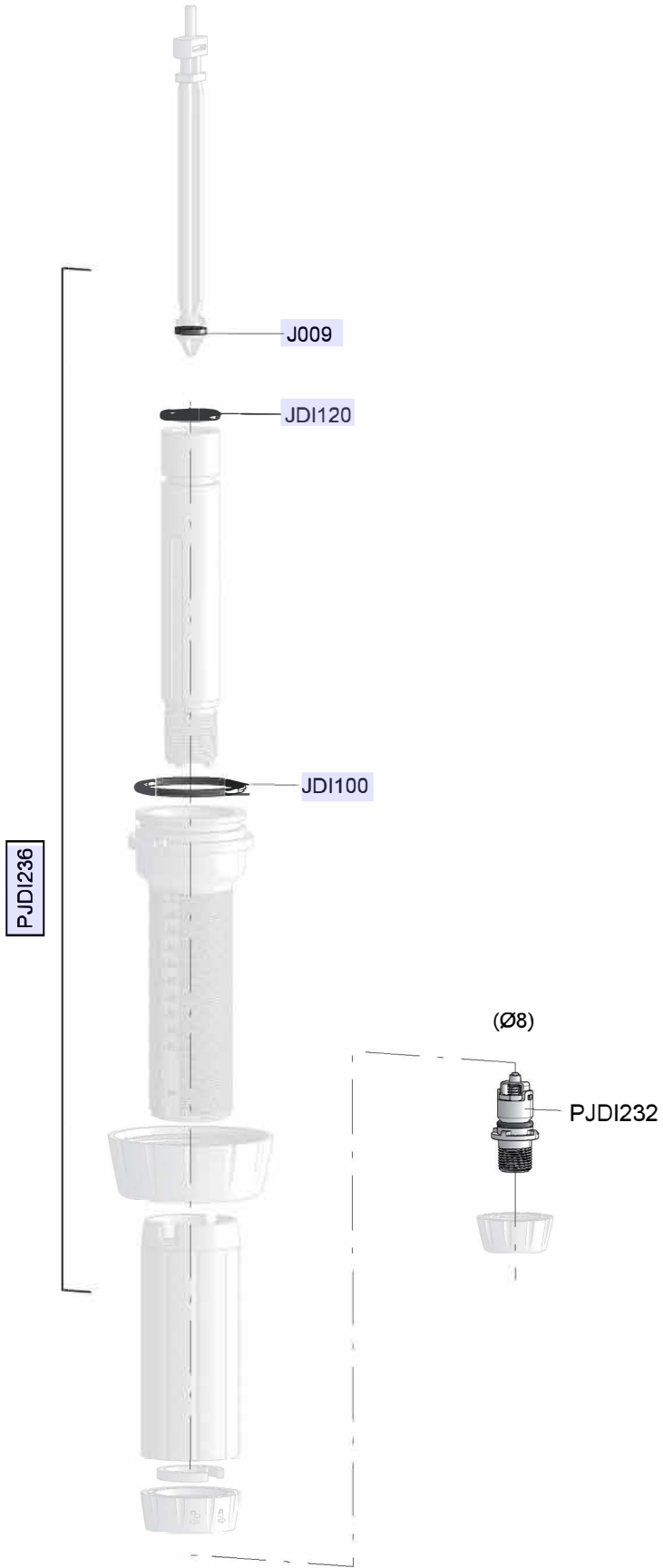
4.3 - 116 psi

0.3 - 8 bar



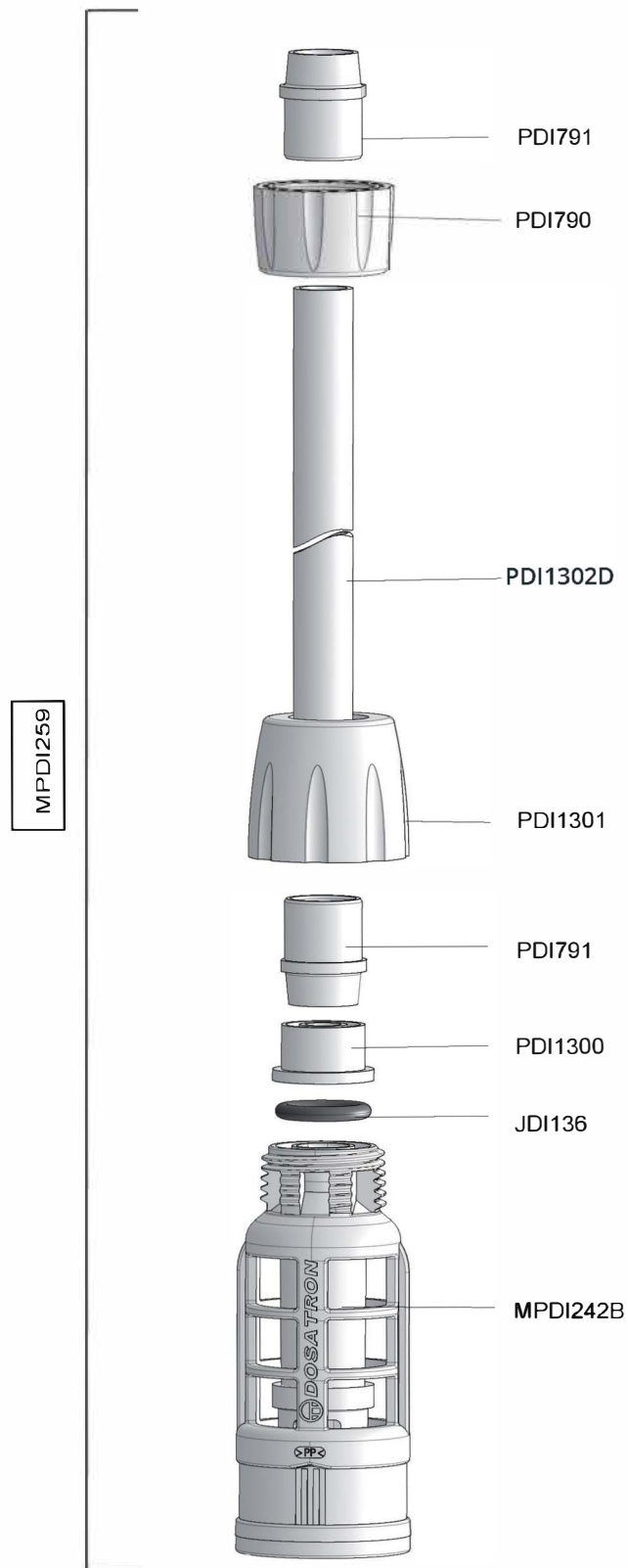
D40MZ1000

40GPM - 1:1000 - 1:100
9m³/h - 0.1 - 1%
4.3 - 116 psi
0.3 - 8 bar



D40MZ1000

40GPM - 1:1000 - 1:100
9m³/h - 0.1 - 1%
4.3 - 116 psi
0.3 - 8 bar



A