



DOSATRON®

WATER POWERED DOSING TECHNOLOGY



D14MZ2-D - 14 GPM INTERACTIVE SCHEMATICS

UNIT SPECIFICATIONS

- 1:500 - 1:50
- 4.3 - 85 PSI
- 3/4" NPT Connection

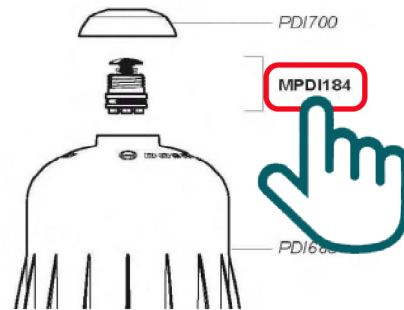
SUGGESTED INSTALLATION

- 200 mesh/80 micron water filter prior to the unit
- One-way check valve down-stream from the unit for water hammer protection

SUGGESTED MAINTENANCE

- Mini-Maintenance Kit
Part #: [PJD116MINI-H](#)
For regular maintenance
- Injection Seal Kit
Part #: [PJD116](#)
For yearly maintenance
- Rebuild Kit
Part #: [MKD14MZ2](#)
Extends the life of your unit
- Piston Flange Kit
Part #: [PPDI034](#)

DOCUMENT INSTRUCTIONS

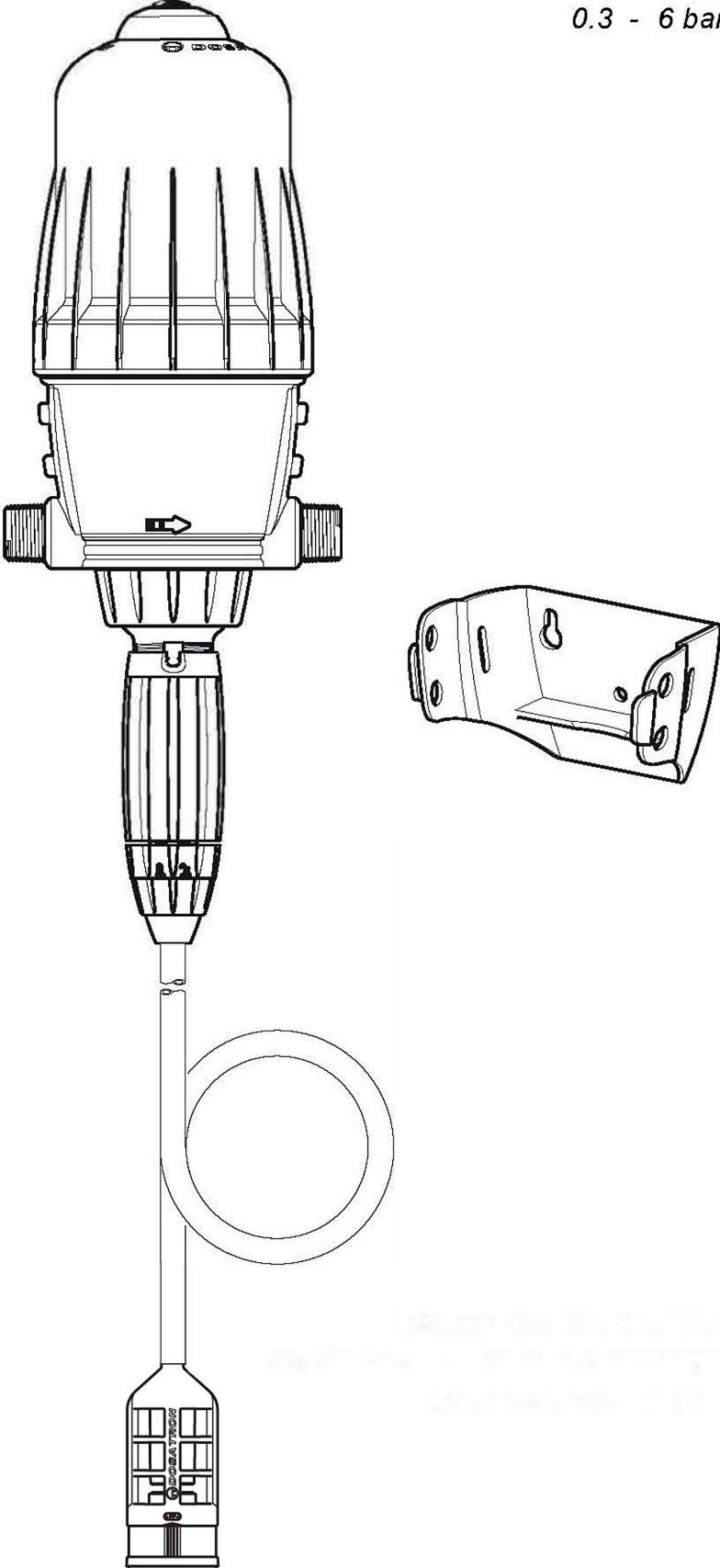


- Click on a part #, to visit item page
- Click arrow back from item page, to return to this document



D14MZ2-D Vehicle Wash

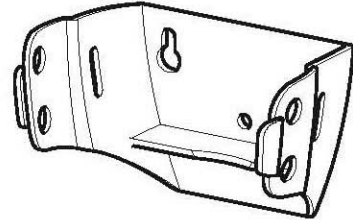
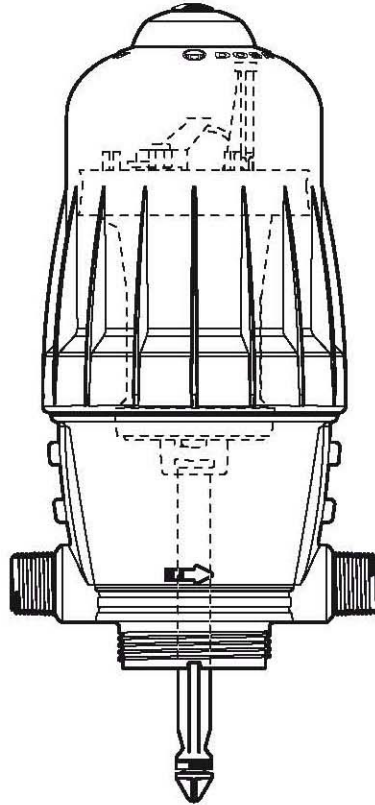
14 GPM - 1:500 - 1:50
3 m³/h - 0.2 - 2 %
4.3 - 85 psi
0.3 - 6 bar



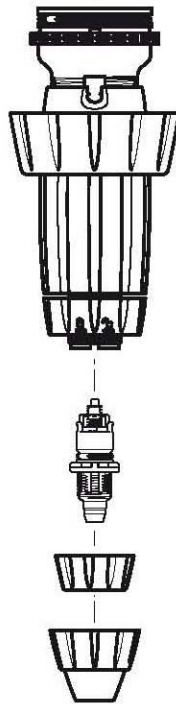
D14MZ2-D Vehicle Wash

14 GPM - 1:500 - 1:50
3 m³/h - 0.2 - 2 %
4.3 - 85 psi
0.3 - 6 bar

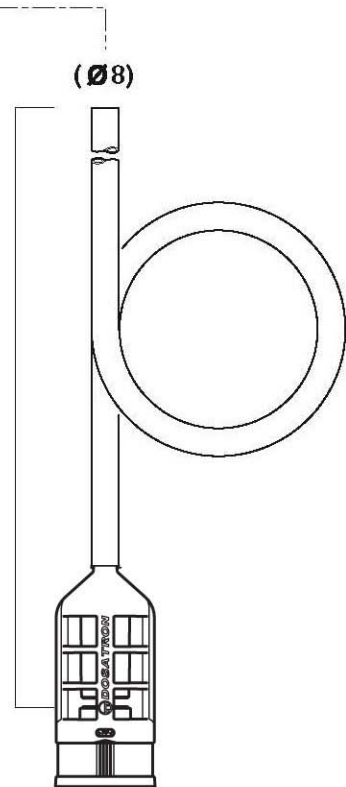
C+M



D

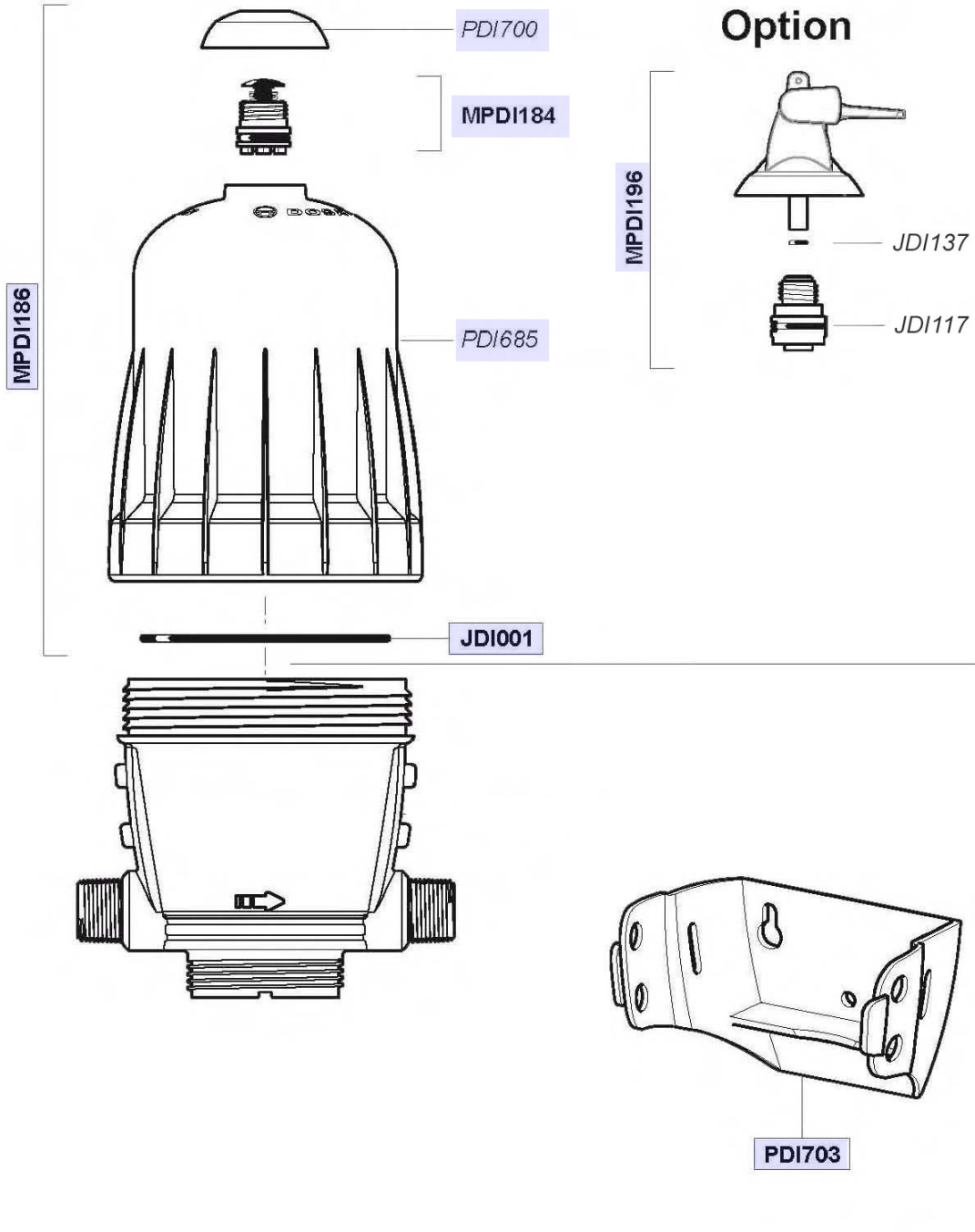


A



D14MZ2-D Vehicle Wash

14 GPM - 1:500 - 1:50
 3 m³/h - 0.2 - 2 %
 4.3 - 85 psi
 0.3 - 6 bar

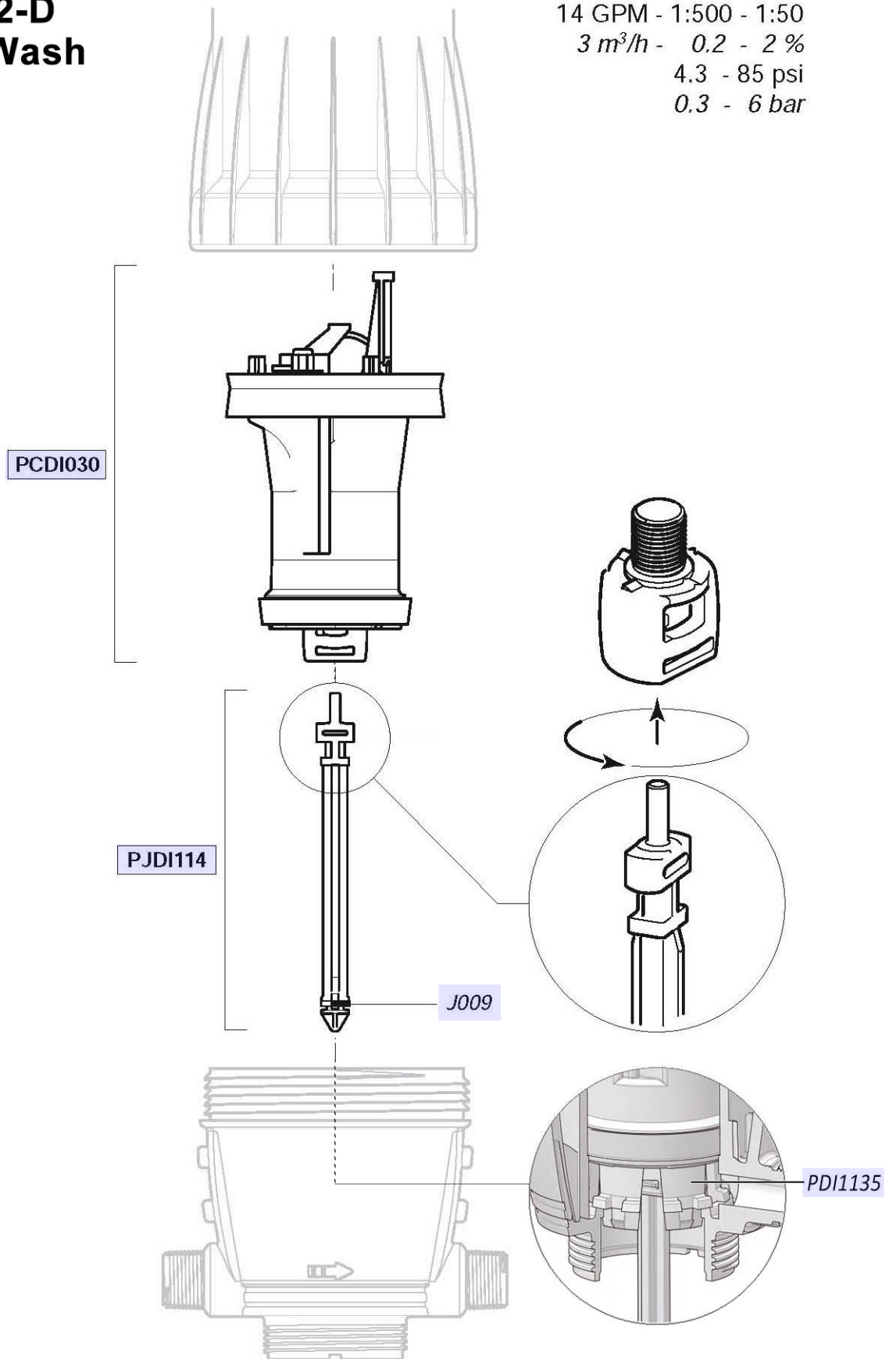


© DOSATRON INTERNATIONAL S.A.S. 2008
 D14MZ2/0608/D3

C+M

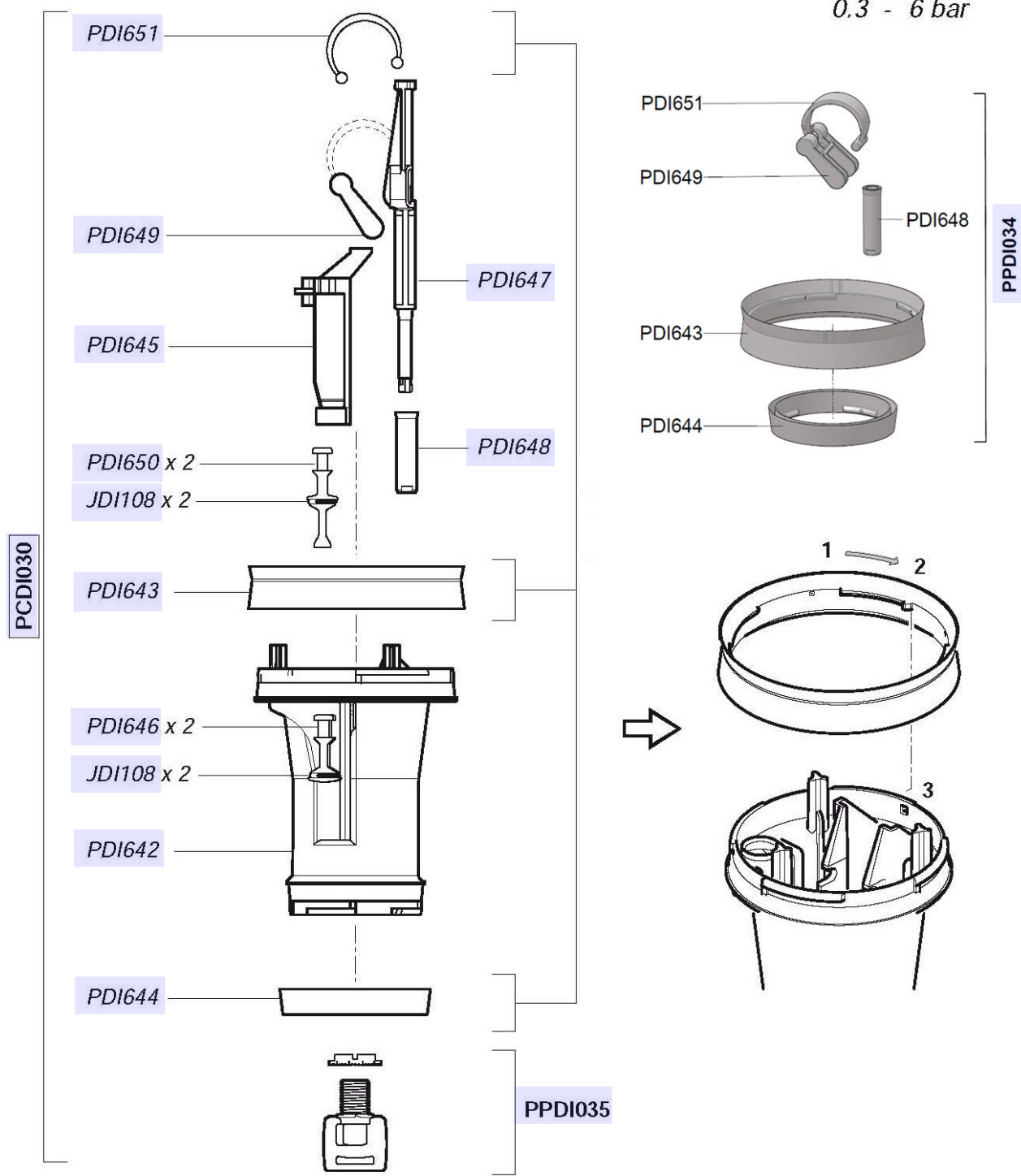
D14MZ2-D Vehicle Wash

14 GPM - 1:500 - 1:50
3 m³/h - 0.2 - 2 %
4.3 - 85 psi
0.3 - 6 bar



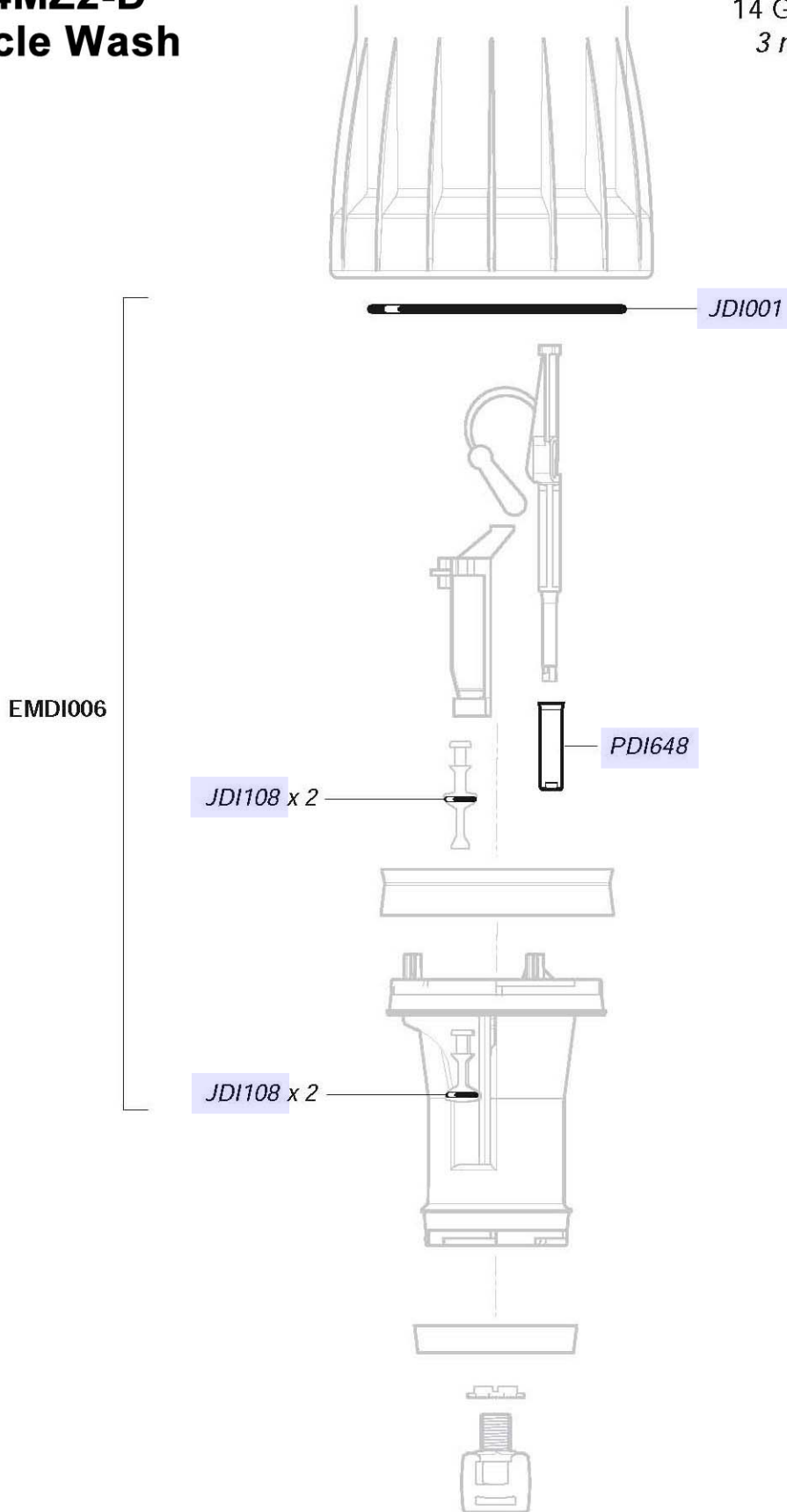
D14MZ2-D Vehicle Wash

14 GPM - 1:500 - 1:50
 3 m³/h - 0.2 - 2 %
 4.3 - 85 psi
 0.3 - 6 bar



D14MZ2-D Vehicle Wash

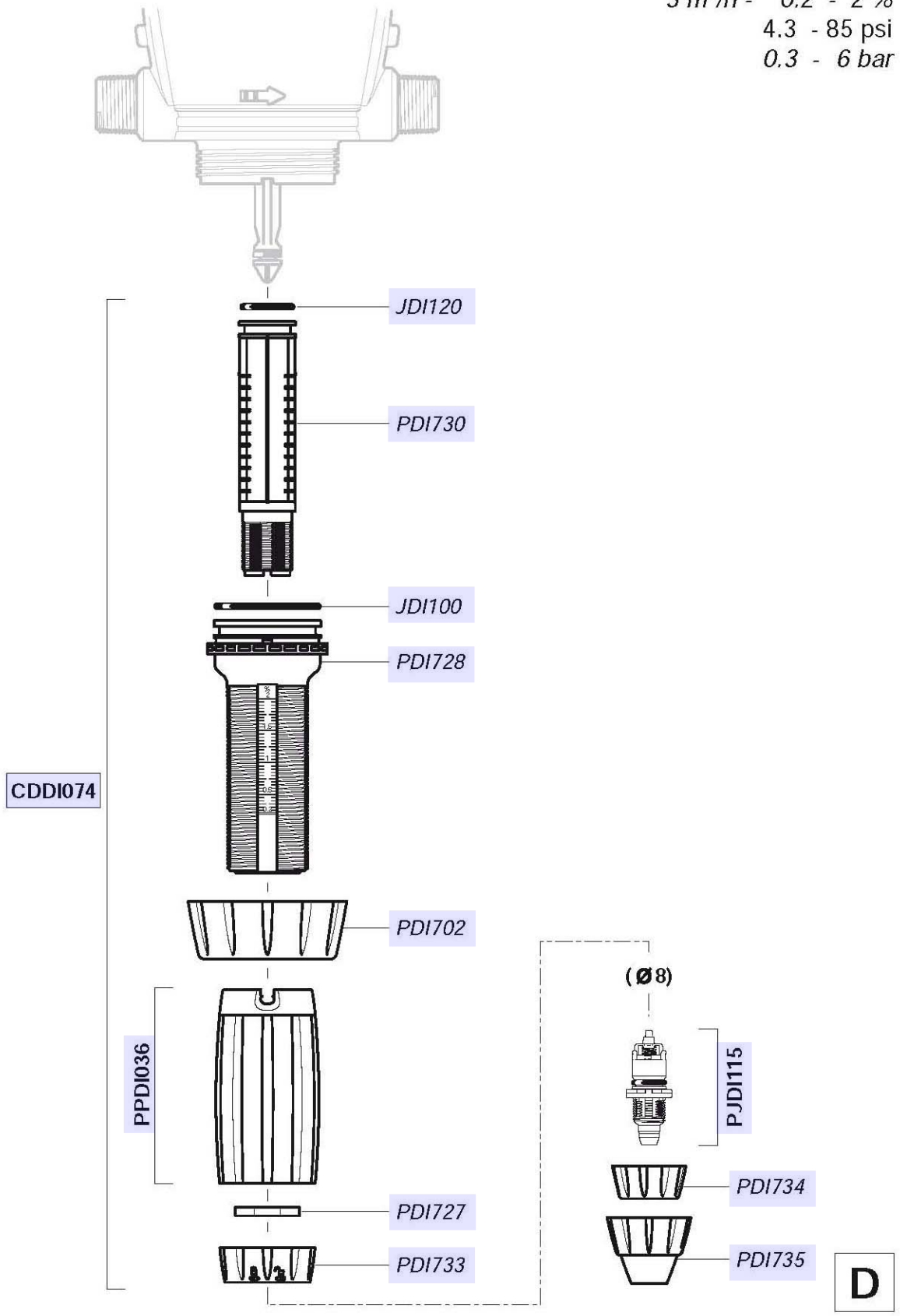
14 GPM - 1:500 - 1:50
3 m³/h - 0.2 - 2 %
4.3 - 85 psi
0.3 - 6 bar



C+M

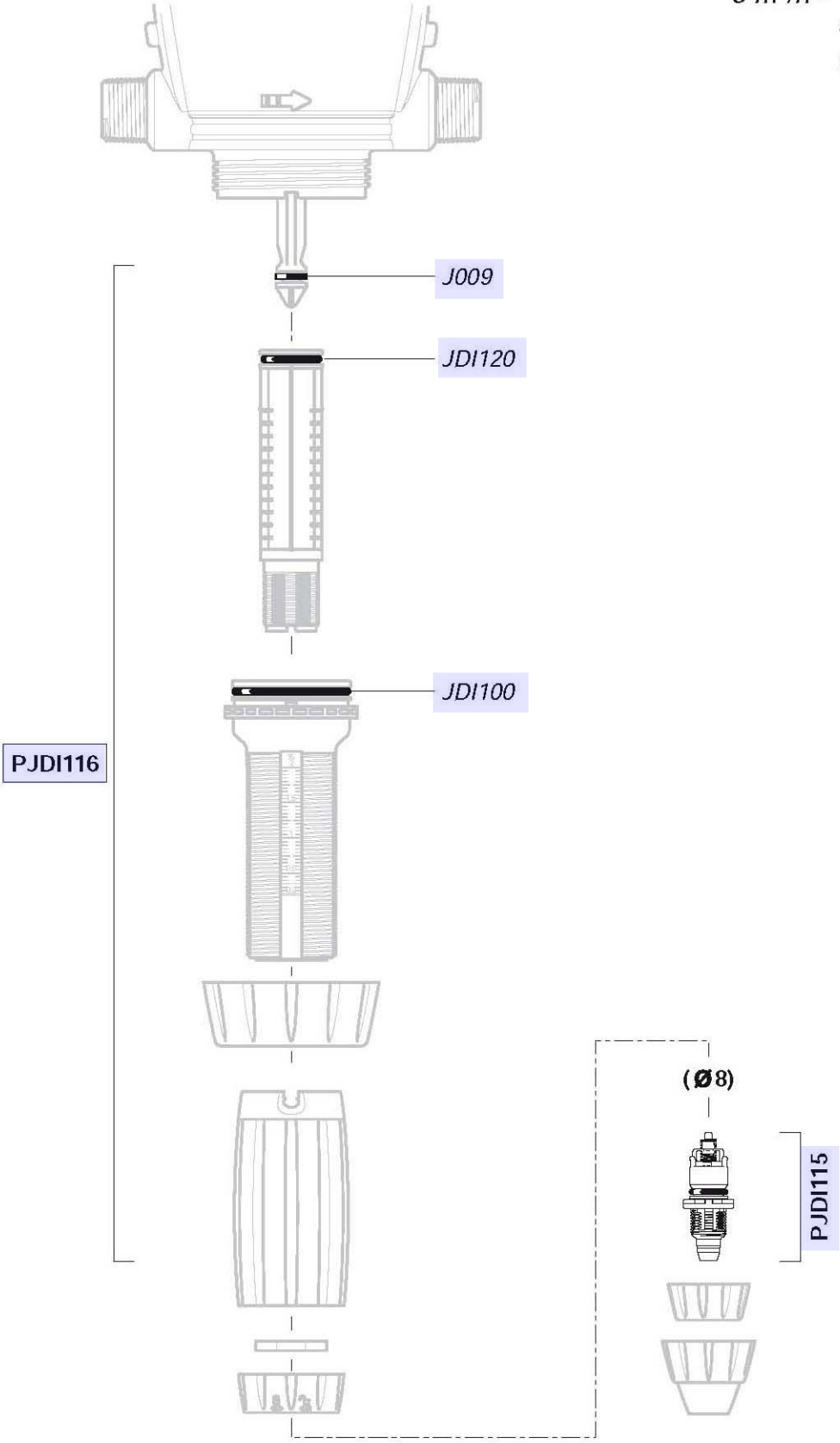
D14MZ2-D Vehicle Wash

14 GPM - 1:500 - 1:50
 3 m³/h - 0.2 - 2 %
 4.3 - 85 psi
 0.3 - 6 bar



D14MZ2-D Vehicle Wash

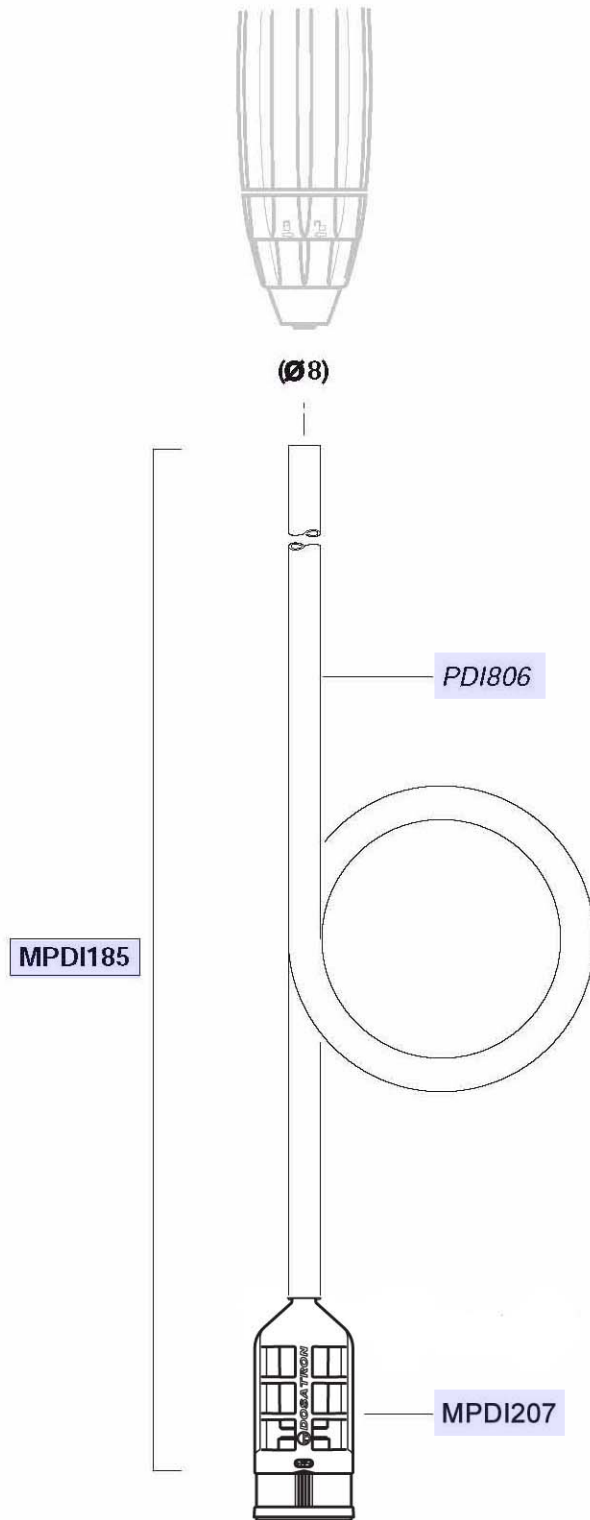
14 GPM - 1:500 - 1:50
3 m³/h - 0.2 - 2 %
4.3 - 85 psi
0.3 - 6 bar



D

D14MZ2-D Vehicle Wash

14 GPM - 1:500 - 1:50
3 m³/h - 0.2 - 2 %
4.3 - 85 psi
0.3 - 6 bar



A