



DOSATRON®

WATER POWERED DOSING TECHNOLOGY



DM11F - 11 GPM INTERACTIVE SCHEMATICS

UNIT SPECIFICATIONS

- 1:128 fixed
- 1.5 - 85 PSI
- 3/4" NPT Connection

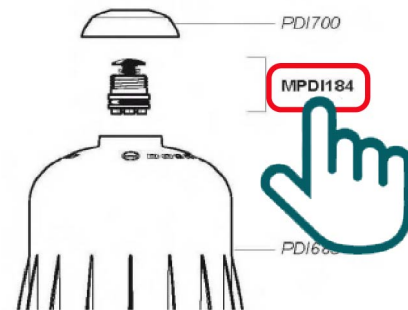
SUGGESTED INSTALLATION

- 200 mesh/80 micron water filter prior to the unit
- One-way check valve down-stream from the unit for water hammer protection

SUGGESTED MAINTENANCE

- Mini-Maintenance Kit
Part #: [PJDI900MINI-LS](#)
For regular maintenance
- Injection Seal Kit
Part #: [PJDI900VF](#)
For yearly maintenance

DOCUMENT INSTRUCTIONS

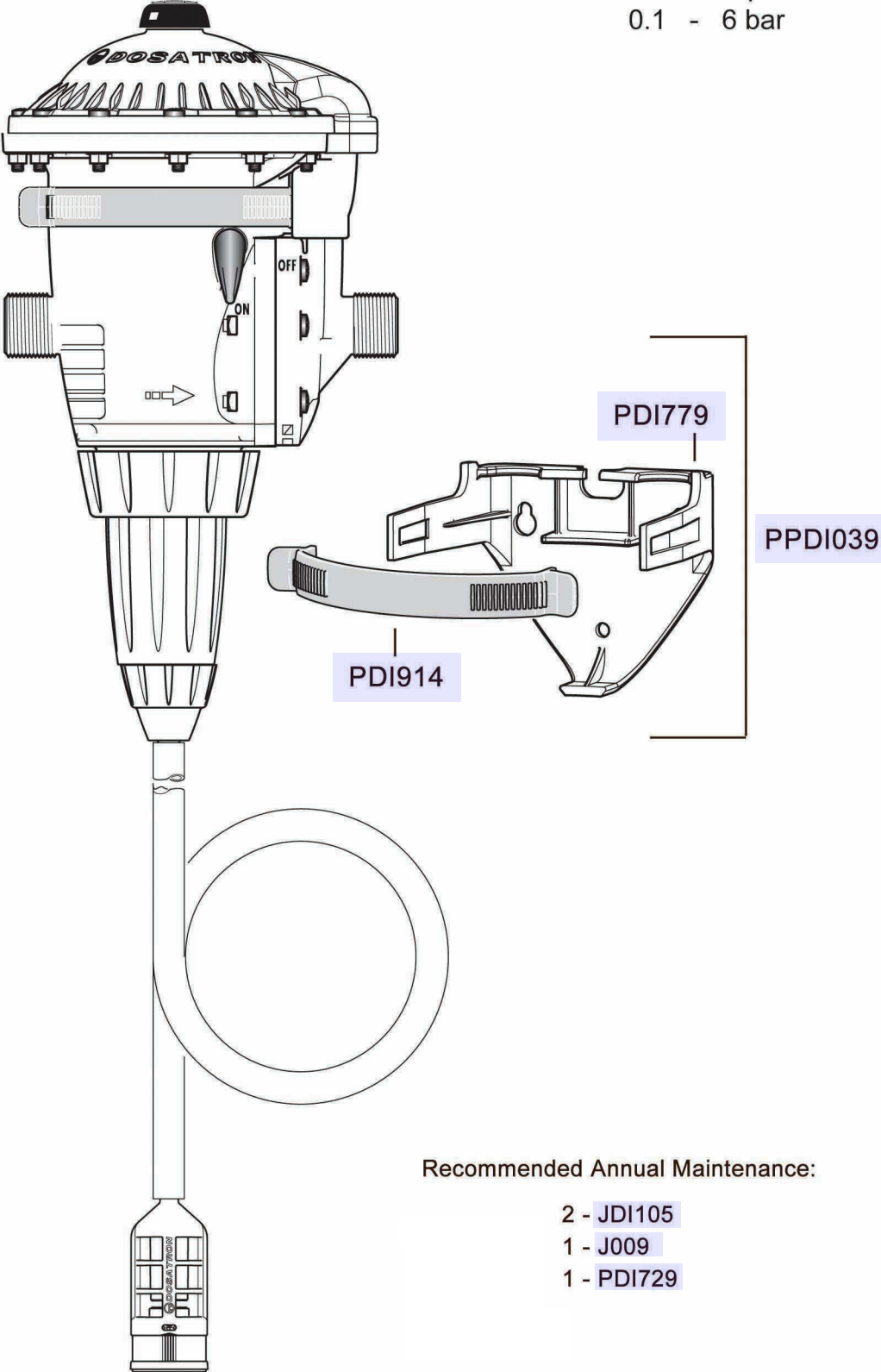


- Click on a part #, to visit item page
- Click arrow back from item page, to return to this document



DM11F

11 GPM - 1:128
2.5 m³/h - 0.8%
1.5 - 85 psi
0.1 - 6 bar



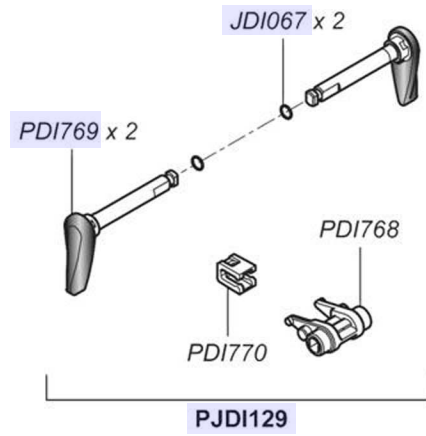
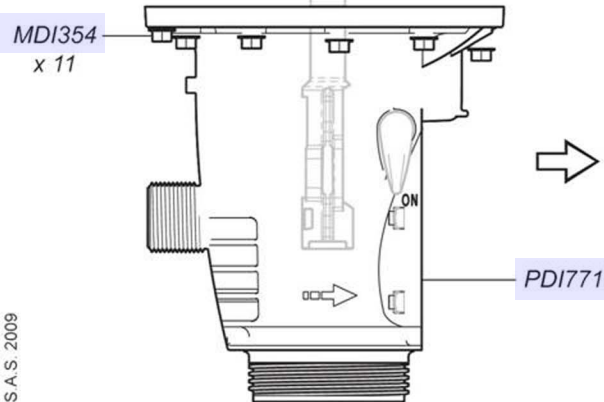
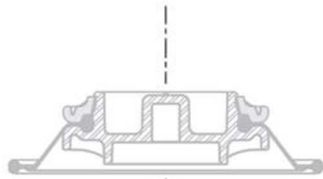
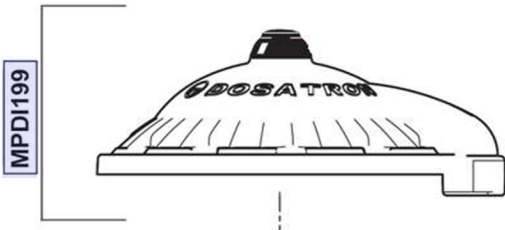
Recommended Annual Maintenance:

- 2 - JDI105
- 1 - J009
- 1 - PDI729

© DOSATRON INTERNATIONAL S.A.S. 2011
DM11F/1111/D1

DM11F

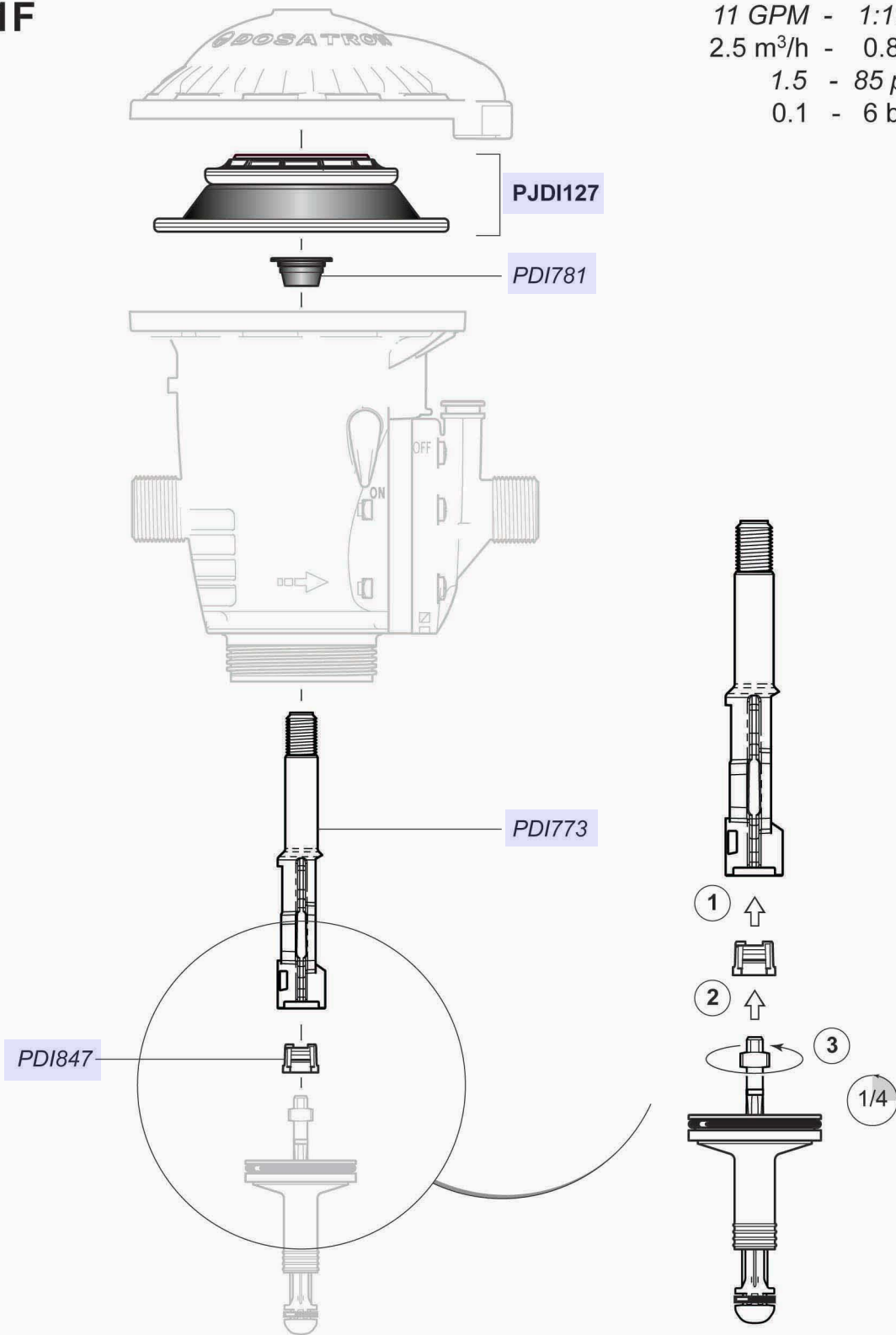
11 GPM - 1:128
 2.5 m³/h - 0.8%
 1.5 - 85 psi
 0.1 - 6 bar



© DOSATRON INTERNATIONAL S.A.S. 2009
 DM11F/0209/ID4

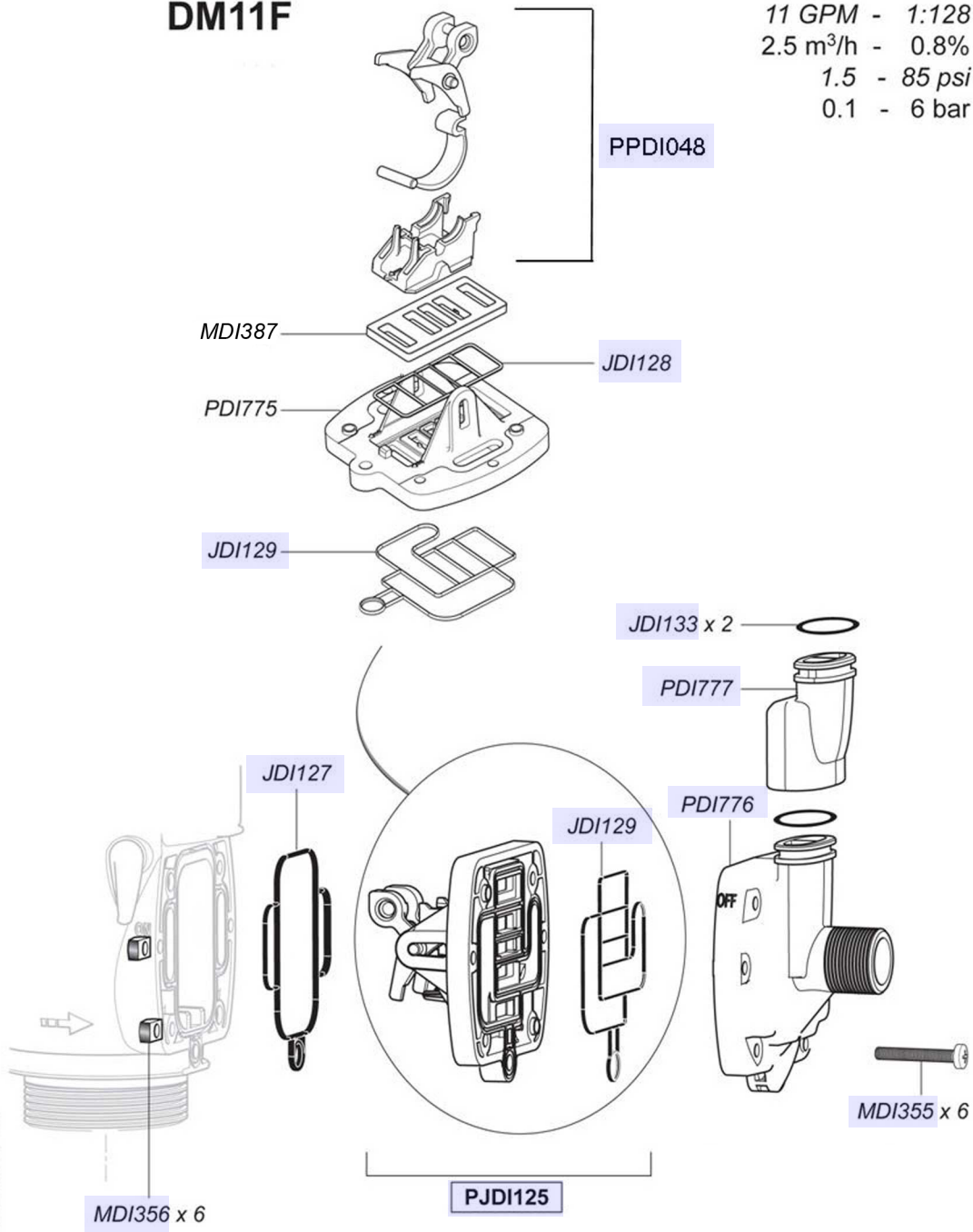
DM11F

11 GPM - 1:128
2.5 m³/h - 0.8%
1.5 - 85 psi
0.1 - 6 bar



DM11F

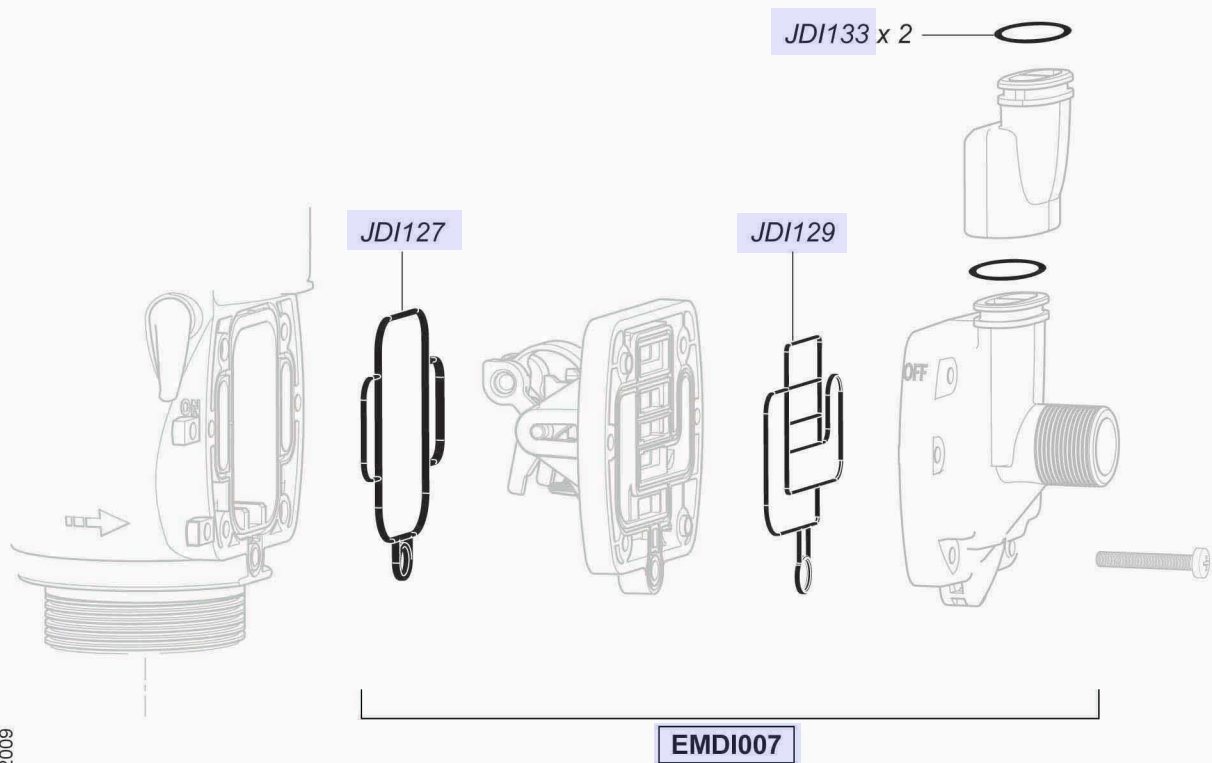
11 GPM - 1:128
 2.5 m³/h - 0.8%
 1.5 - 85 psi
 0.1 - 6 bar



© DOSATRON INTERNATIONAL S.A.S. 2011
 DM11F/1111/D6

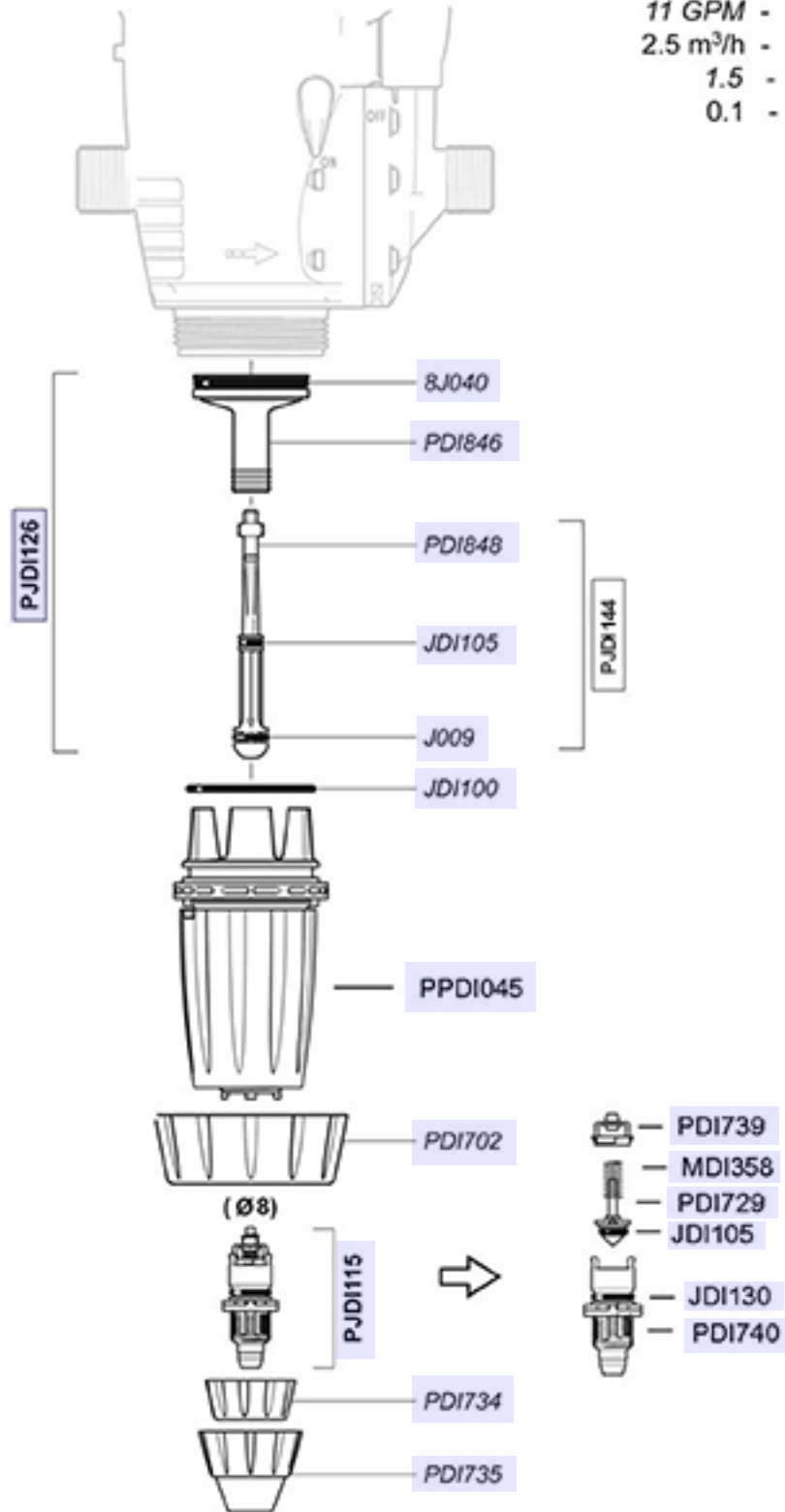
DM11F

11 GPM - 1:128
2.5 m³/h - 0.8%
1.5 - 85 psi
0.1 - 6 bar



DM11F

11 GPM - 1:128
 2.5 m³/h - 0.8%
 1.5 - 85 psi
 0.1 - 6 bar



DM11F

11 GPM - 1:128
2.5 m³/h - 0.8%
1.5 - 85 psi
0.1 - 6 bar

