



DOSATRON®

WATER POWERED DOSING TECHNOLOGY



D14WL2NAF - 14 GPM INTERACTIVE SCHEMATICS

UNIT SPECIFICATIONS

- 1:500 - 1:50
- 4.3 - 85 PSI
- 3/4" NPT Connection

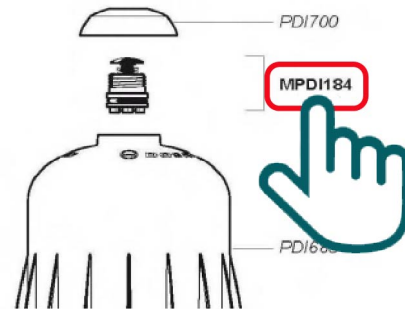
SUGGESTED INSTALLATION

- 200 mesh/80 micron water filter prior to the unit
- One-way check valve down-stream from the unit for water hammer protection

SUGGESTED MAINTENANCE

- Injection Seal Kit
Part #: [PJDI116NAF](#)
For yearly maintenance

DOCUMENT INSTRUCTIONS



- Click on a part #, to visit item page
- Click arrow back from item page, to return to this document

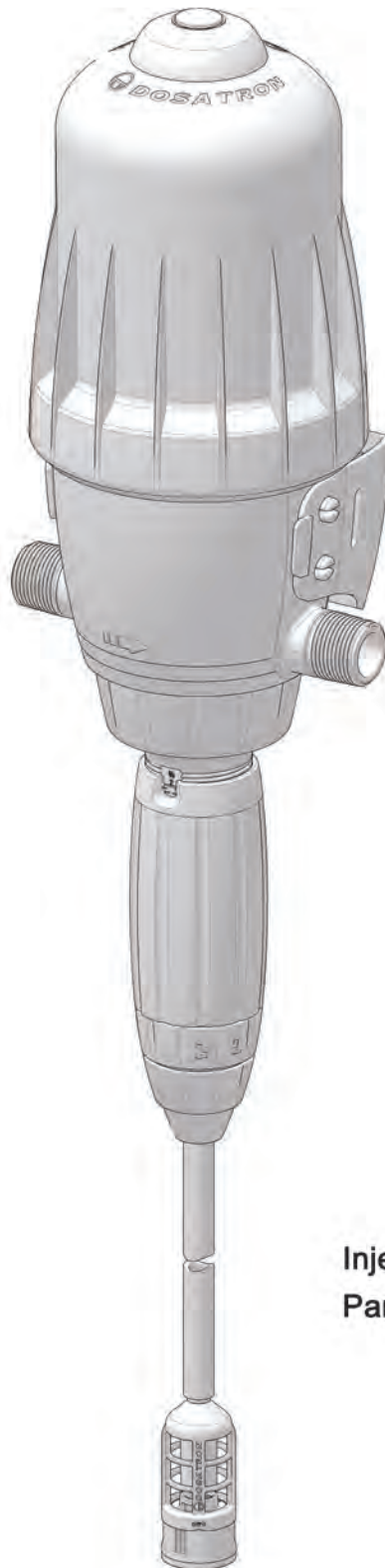


D14WL2NAF



Certified to
NSF/ANSI 61 & 372

14 GPM - 1:500 - 1:50
3m³/h - 0.2 - 2%
4.3 - 85 psi
0.3 - 6 bar



Injection Seal Kit
Part #: PJD116NAF

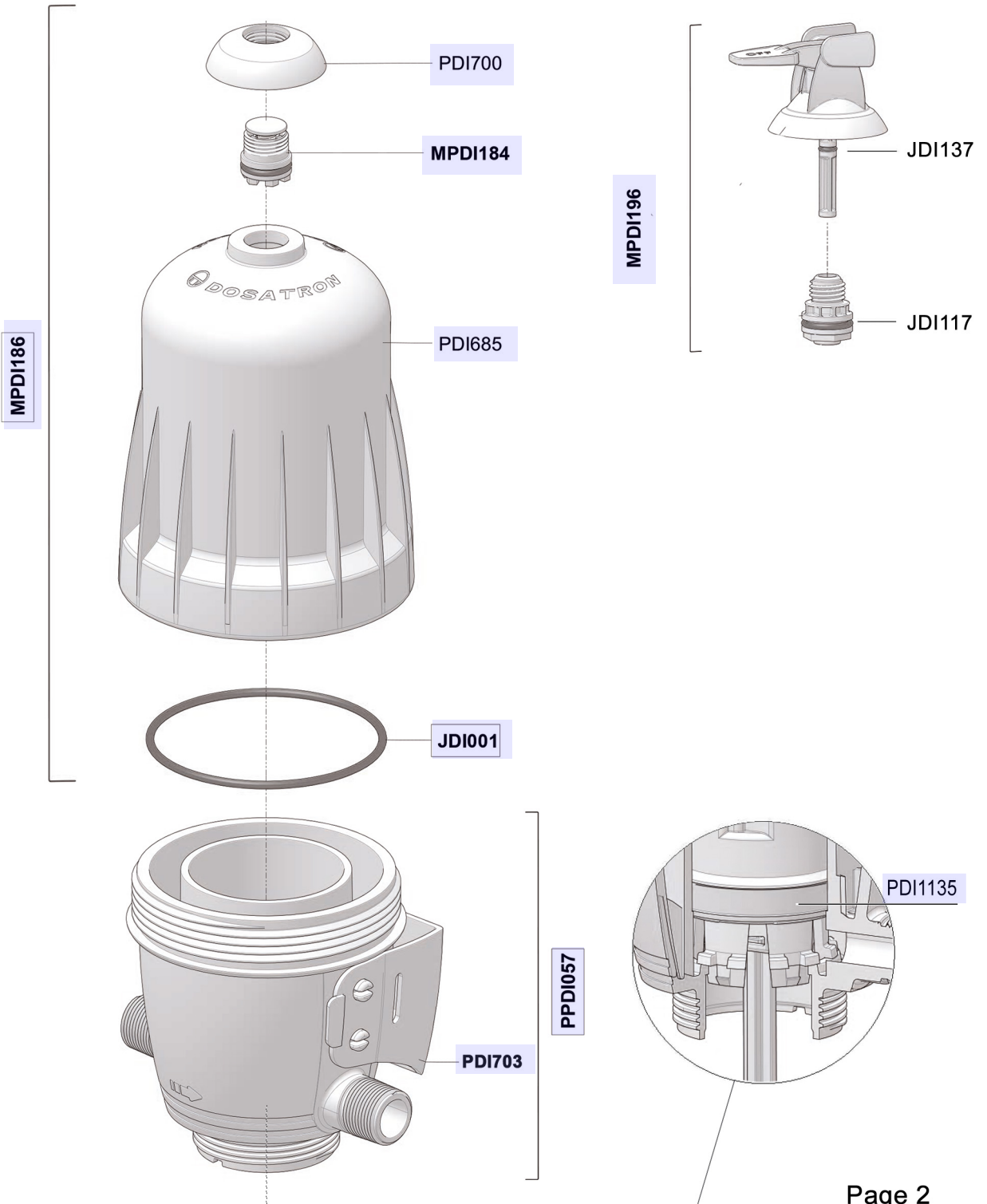
D14WL2NAF



Certified to
NSF/ANSI 61 & 372

14 GPM - 1:500 - 1:50
3m³/h - 0.2 - 2%
4.3 - 85 psi
0.3 - 6 bar

OPTION



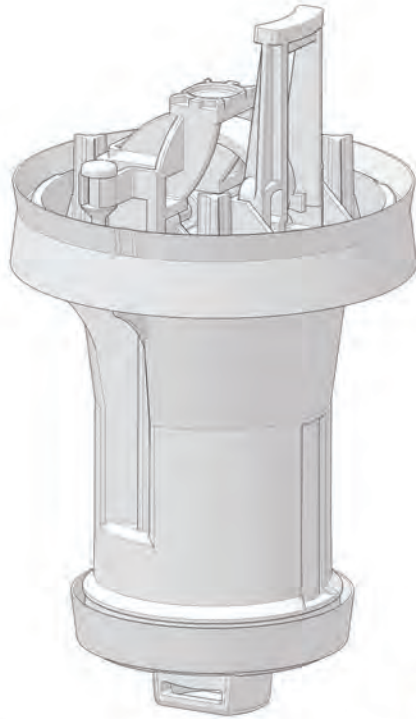
D14WL2NAF



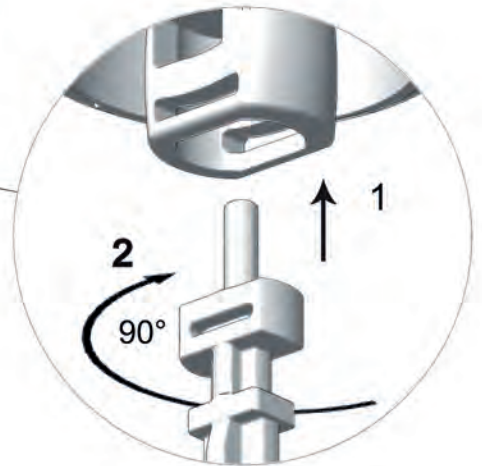
Certified to
NSF/ANSI 61 & 372

14 GPM - 1:500 - 1:50
3m³/h - 0.2 - 2%
4.3 - 85 psi
0.3 - 6 bar

PCDI030



PJDI114NAF



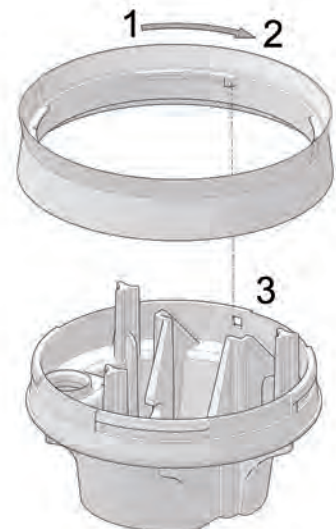
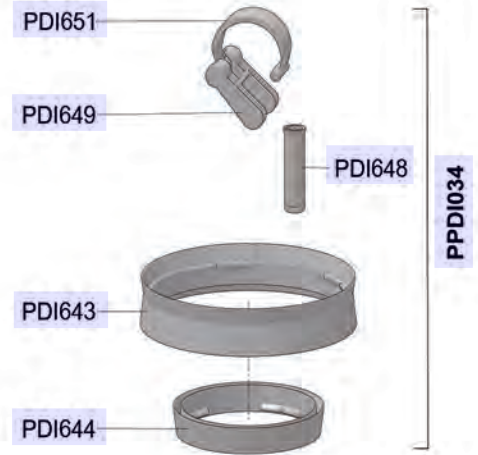
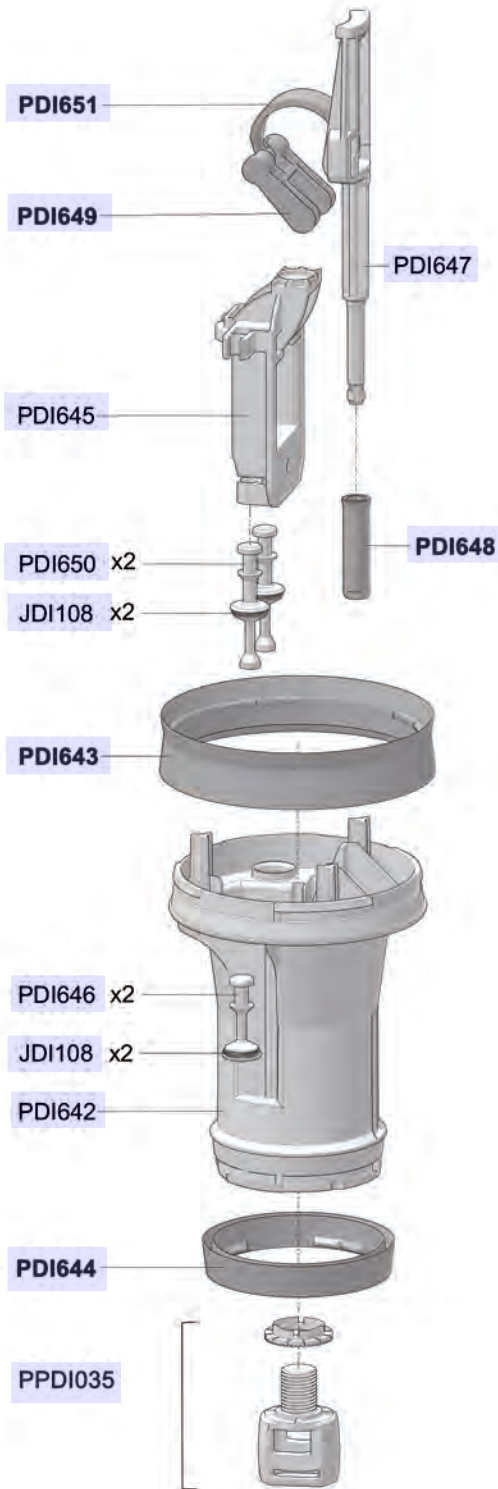
J009NAF

D14WL2NAF



Certified to
NSF/ANSI 61 & 372

14 GPM - 1:500 - 1:50
3m³/h - 0.2 - 2%
4.3 - 85 psi
0.3 - 6 bar

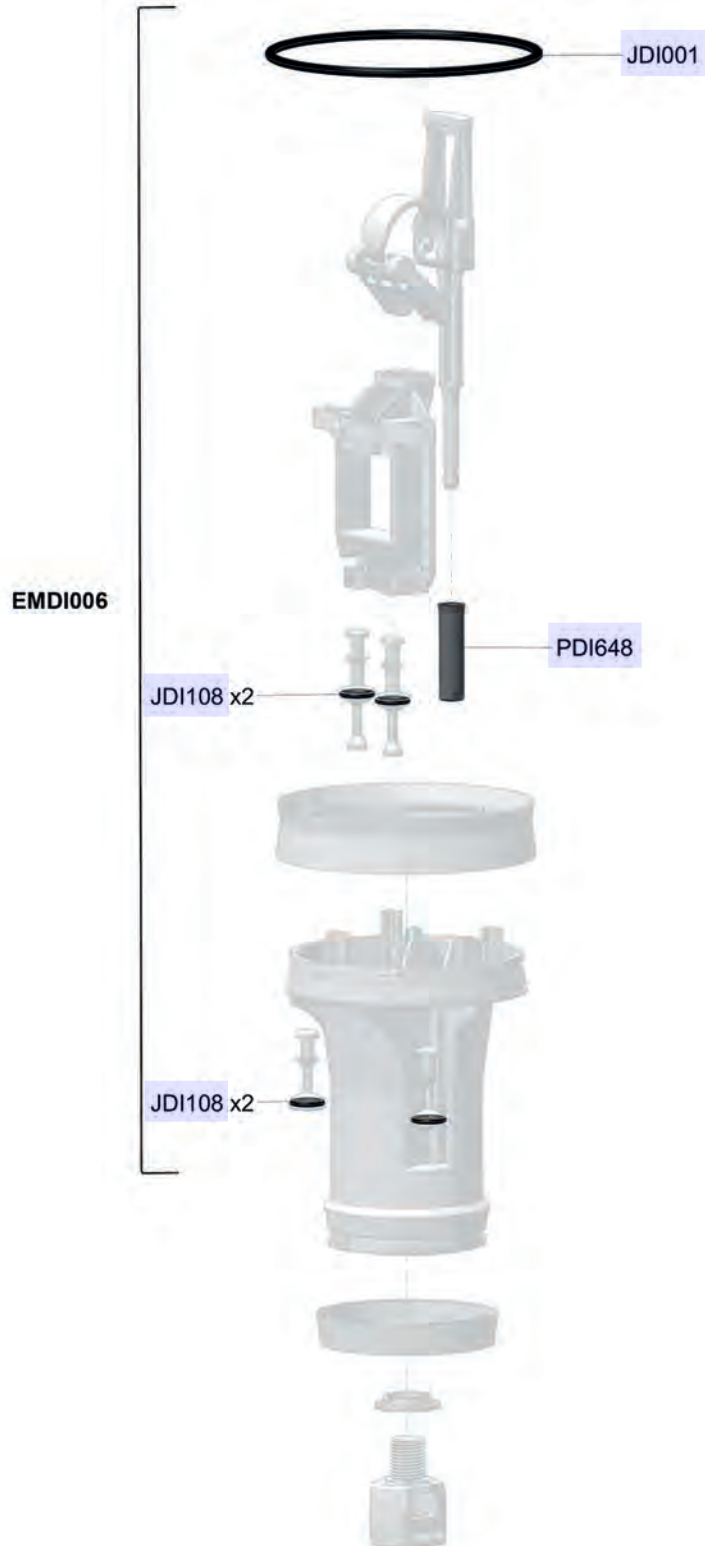


D14WL2NAF



Certified to
NSF/ANSI 61 & 372

14 GPM - 1:500 - 1:50
3m³/h - 0.2 - 2%
4.3 - 85 psi
0.3 - 6 bar



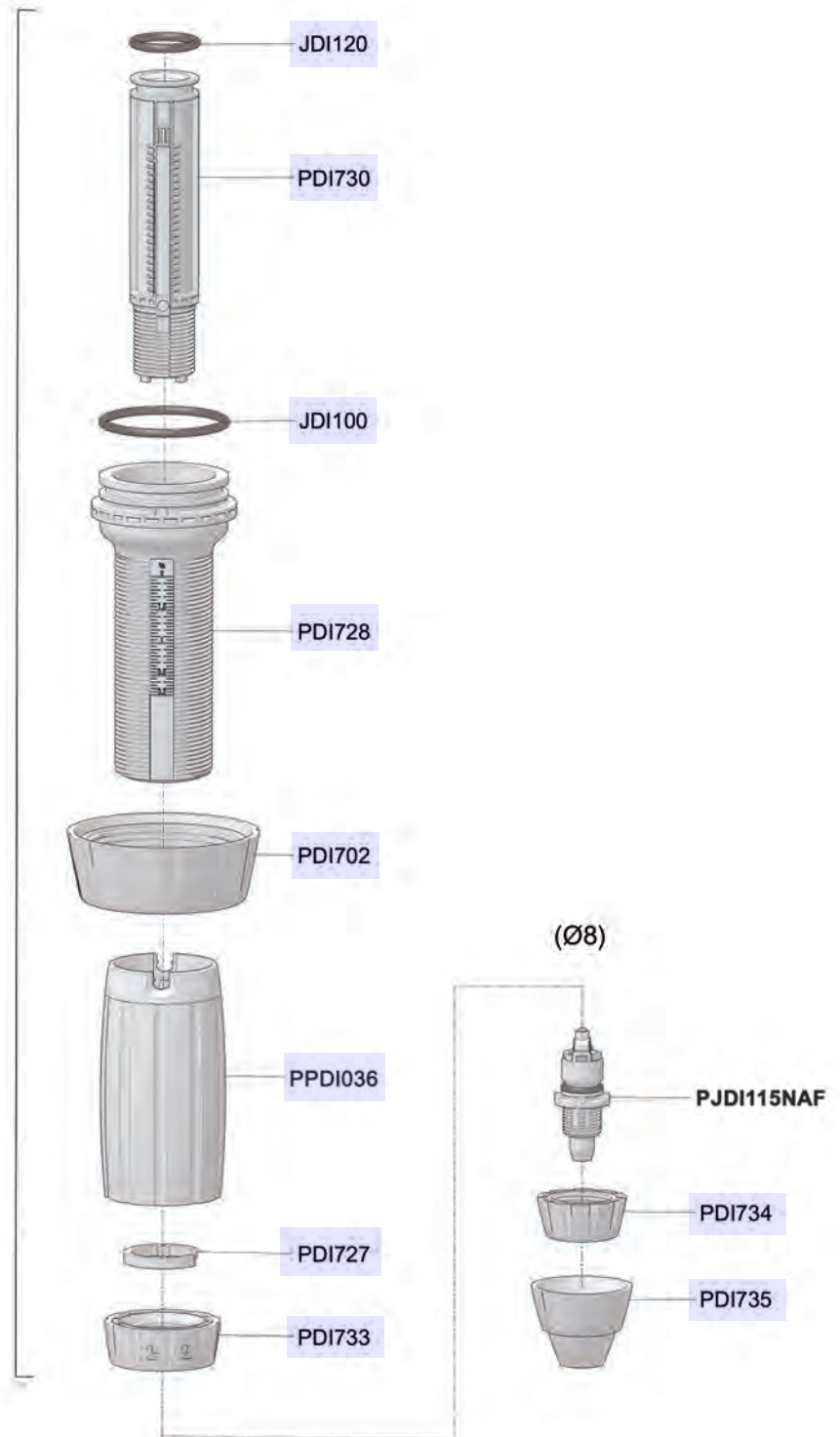
D14WL2NAF



Certified to
NSF/ANSI 61 & 372

14 GPM - 1:500 - 1:50
3m³/h - 0.2 - 2%
4.3 - 85 psi
0.3 - 6 bar

CDDI074NAF



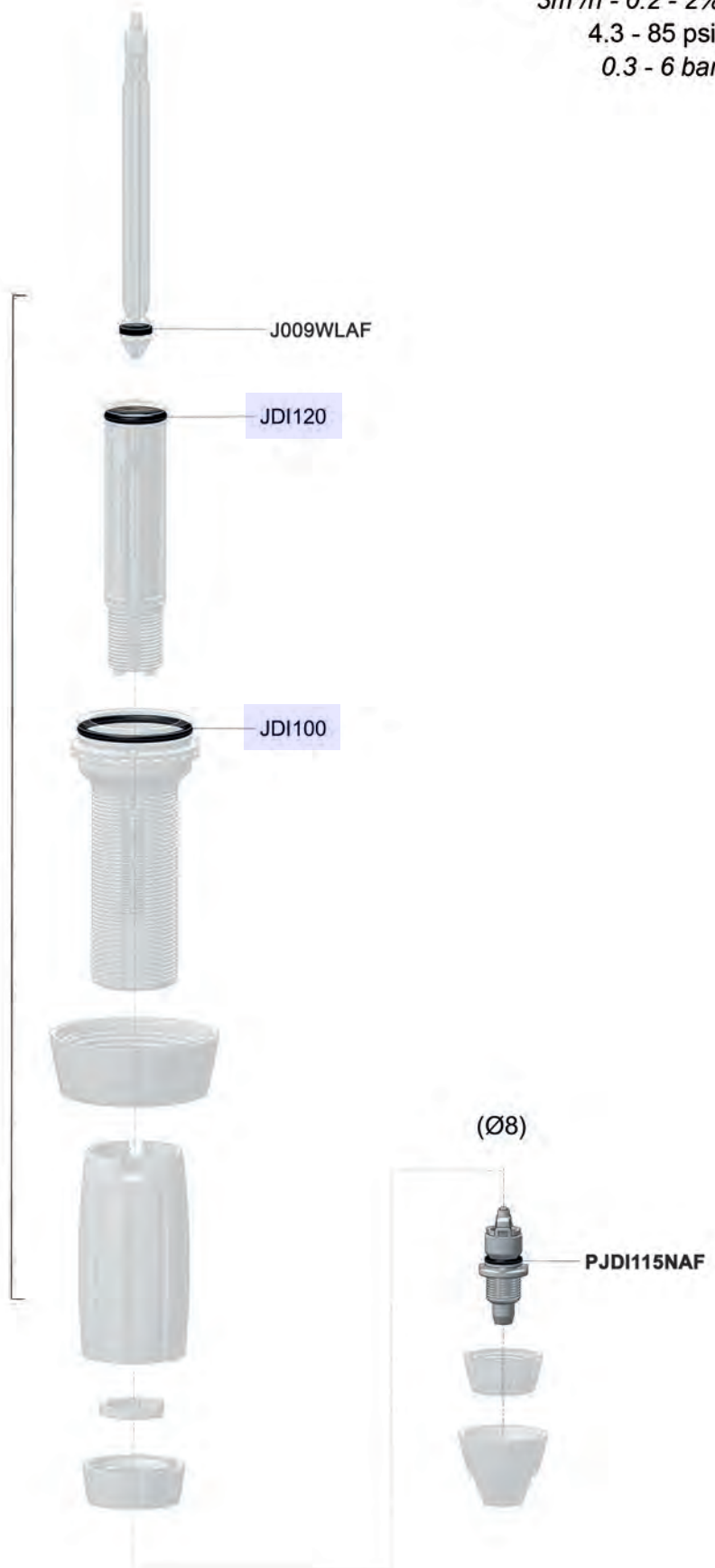
D14WL2NAF



Certified to
NSF/ANSI 61 & 372

14 GPM - 1:500 - 1:50
3m³/h - 0.2 - 2%
4.3 - 85 psi
0.3 - 6 bar

PJDI116NAF



D14WL2NAF



Certified to
NSF/ANSI 61 & 372

14 GPM - 1:500 - 1:50
 $3m^3/h$ - 0.2 - 2%
4.3 - 85 psi
0.3 - 6 bar

