



DOSATRON®

WATER POWERED DOSING TECHNOLOGY

Introducing the **D132**

Dosatron's Mega-Flo Series Fertilizer and Chemical Injectors

The D132 Series of fertilizer and chemical injectors is part of the **Mega-Flo Series!** These models have the water flow capacity of **132 gallons per minute.**

The D132 models are the perfect solution to inject soluble fertilizer, while the low injection rate model (1:30,000) is for direct injection of water treatment chemicals.

The D132 is great for:

- Fertilizers
- Insecticides
- Fungicides
- Algicides
- Acids
- Wetting Agents
- Disinfectants
- Compost Tea
- Hydroponics
- Chlorine Dioxide
- Chlorine



To learn more about the D132 or to order, call **1-800-523-8499** or **CHAT** with us on our website at www.dosatronusa.com.

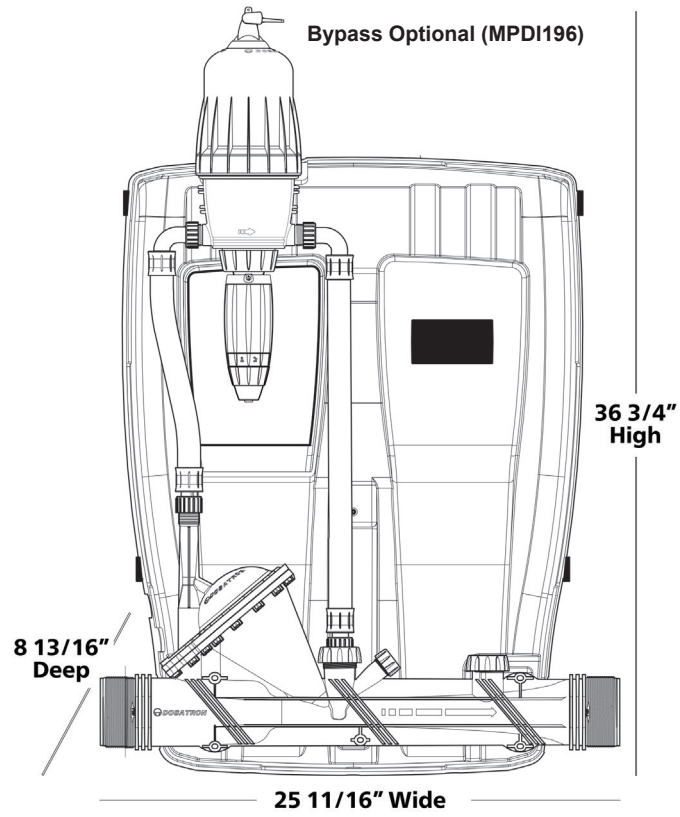
UNIT SPECIFICATIONS

MODEL	D132MZ30000	D132MZ5000	D132MZ1
MAX. FLOW	132 GPM	132 GPM	132 GPM
MIN. FLOW	35.2 GPM	35.2 GPM	35.2 GPM
INJECTION PERCENTS	0.003% to 0.03%	0.02% to 0.2%	0.1% to 1%
INJECTION RATIO	1:30,000 to 1:3,000	1:5,000 to 1:500	1:1,000 to 1:100
PRESSURE RANGE	7 - 87 PSI	7 - 87 PSI	7 - 87 PSI
CONNECTIONS	3" NPT	3" NPT	3" NPT

All units include: suction hose, weighted strainer, and quick start guide. MAXIMUM TEMPERATURE: 104°F

1-800-523-8499 • 1-727-443-5404 • www.dosatronusa.com

D132 DIAGRAM



UNIT INSTALLATION

