



DOSATRON[®]

An Ingersoll Rand Business

SCHEMATICS

Dosatron Liquid Dispenser

Model # D14TMZ10 - 14 GPM

1:100 - 1:10

7 - 85 PSI

3/4" NPT Connection

Suggested Installation:

270 mesh high-temperature filter prior to unit

One-way check valve downstream from unit for water hammer protection

Suggested Maintenance Interval:

Replace injection seals every 12 months

DOSATRON SALES & SERVICE - NORTH & CENTRAL AMERICA

Dosatron International, Inc.

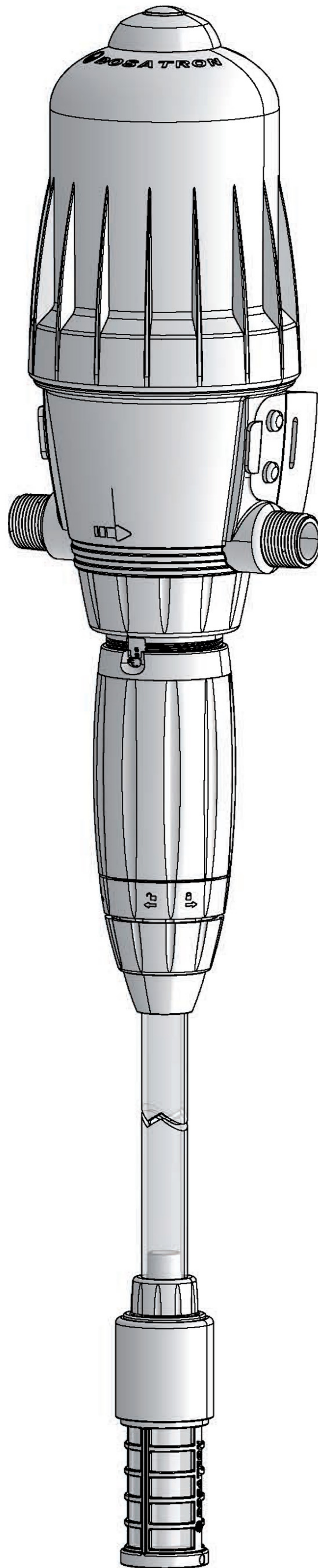
Phone : 727-443-5404 Service : (800) 523-8499

Fax: 727-447-0591

www.dosatronUSA.com

D14TMZ10

14 GPM - 1:100 - 1:10
3m³/h - 1 - 10%
7 - 85 psi
0.5 - 6 bar



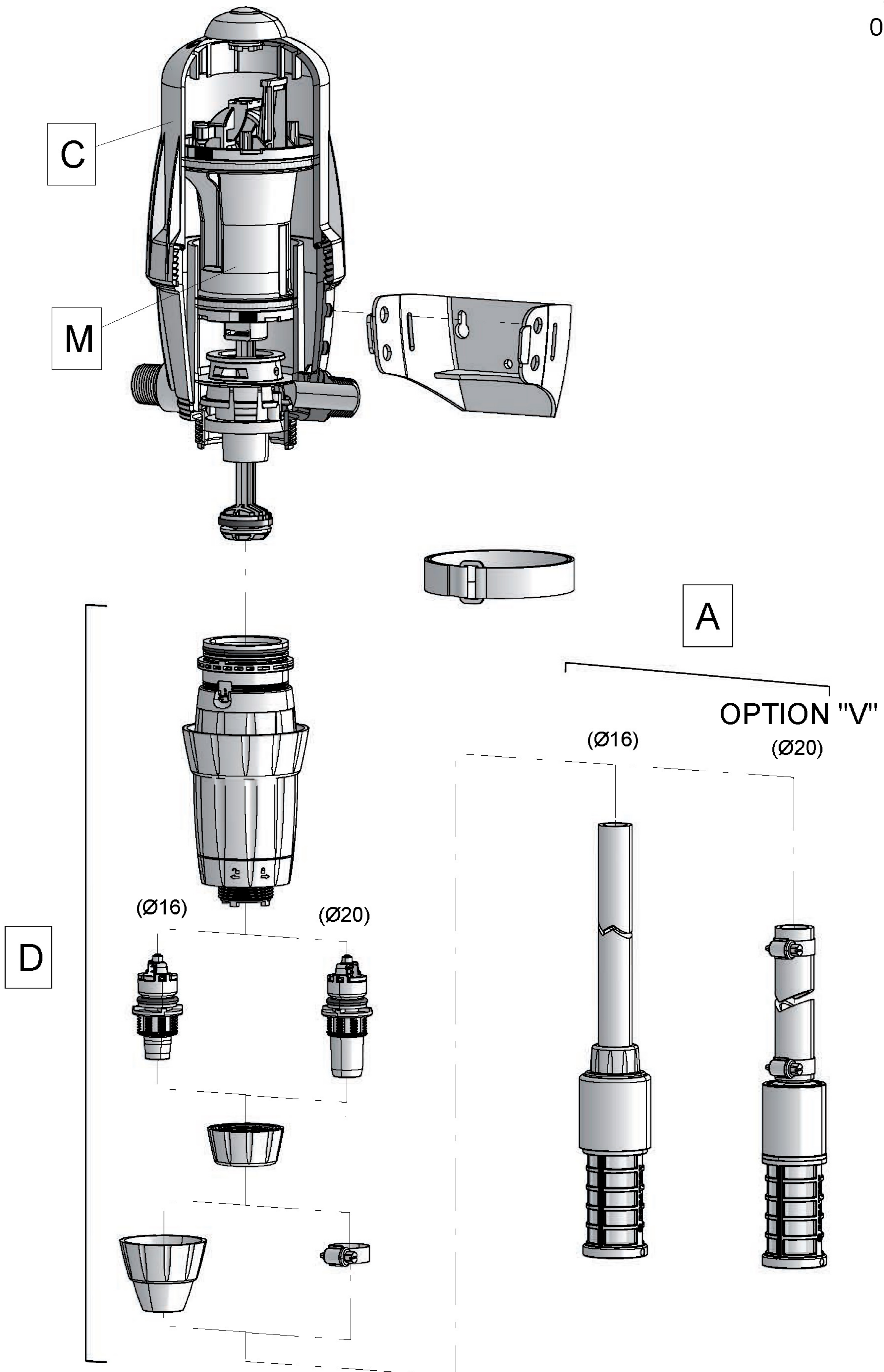
D14TMZ10

14 GPM - 1:100 - 1:10

3m³/h - 1 - 10%

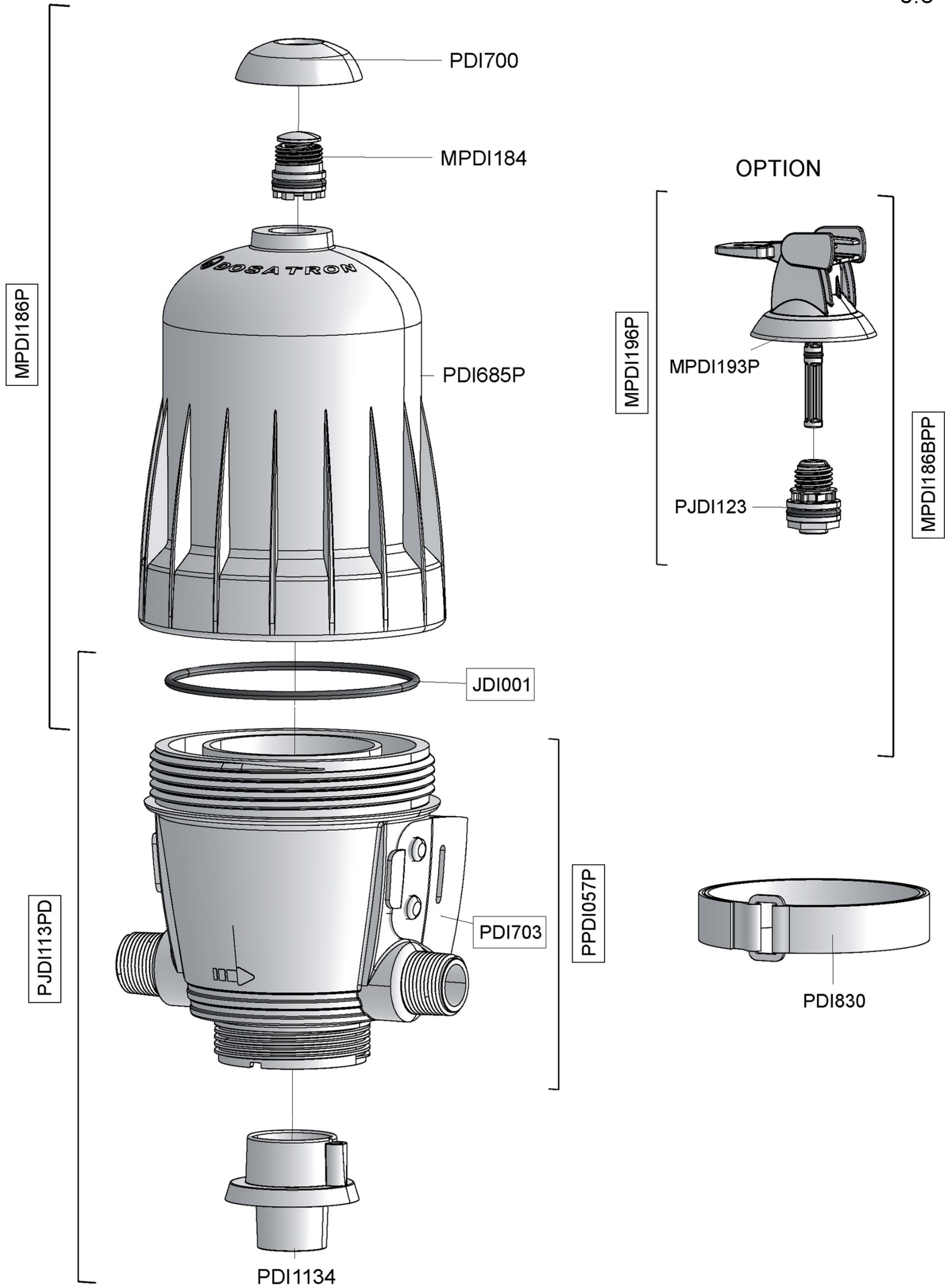
7 - 85 psi

0.5 - 6 bar



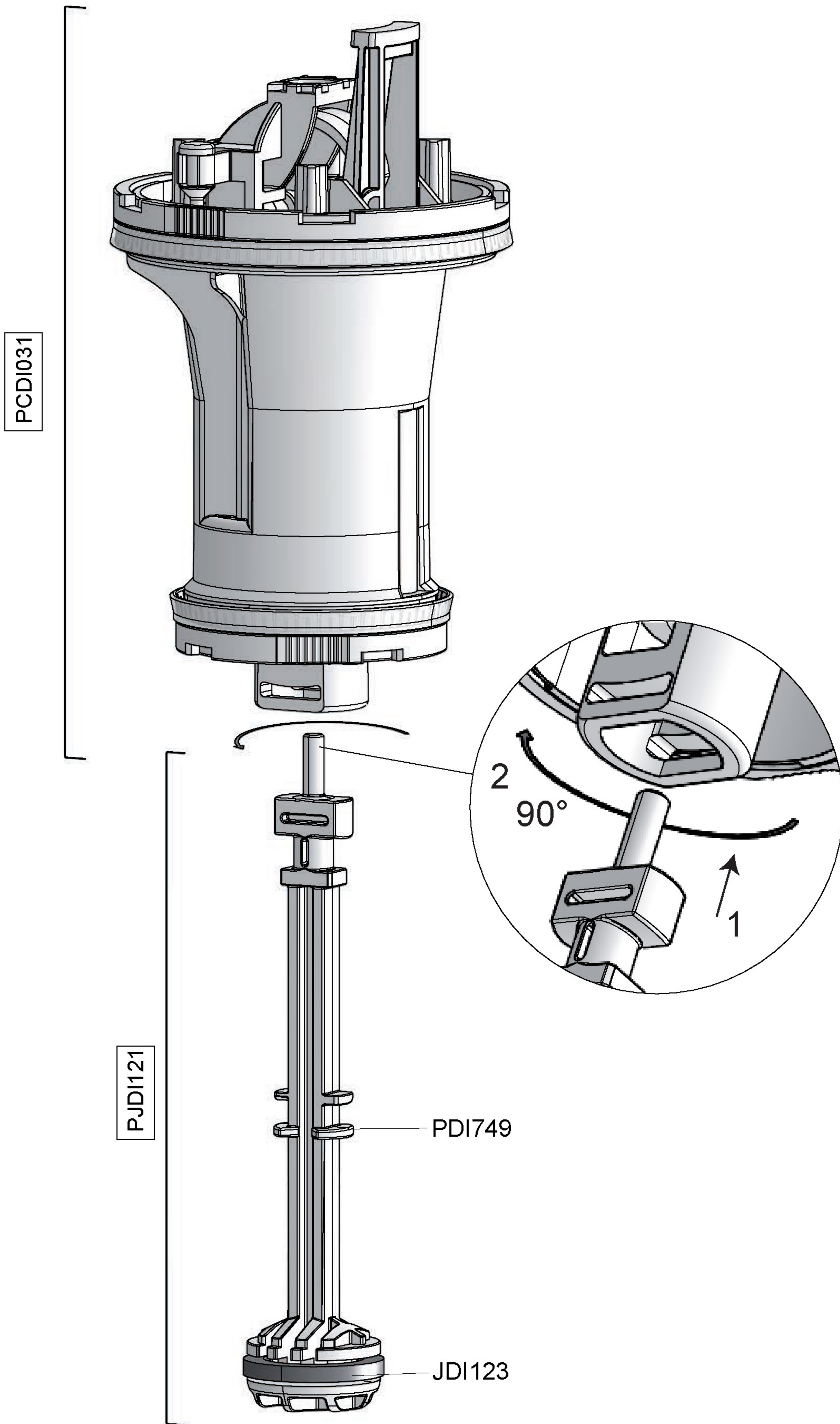
D14TMZ10

14 GPM - 1:100 - 1:10
3m³/h - 1 - 10%
7 - 85 psi
0.5 - 6 bar



D14TMZ10

14 GPM - 1:100 - 1:10
3m³/h - 1 - 10%
7 - 85 psi
0.5 - 6 bar



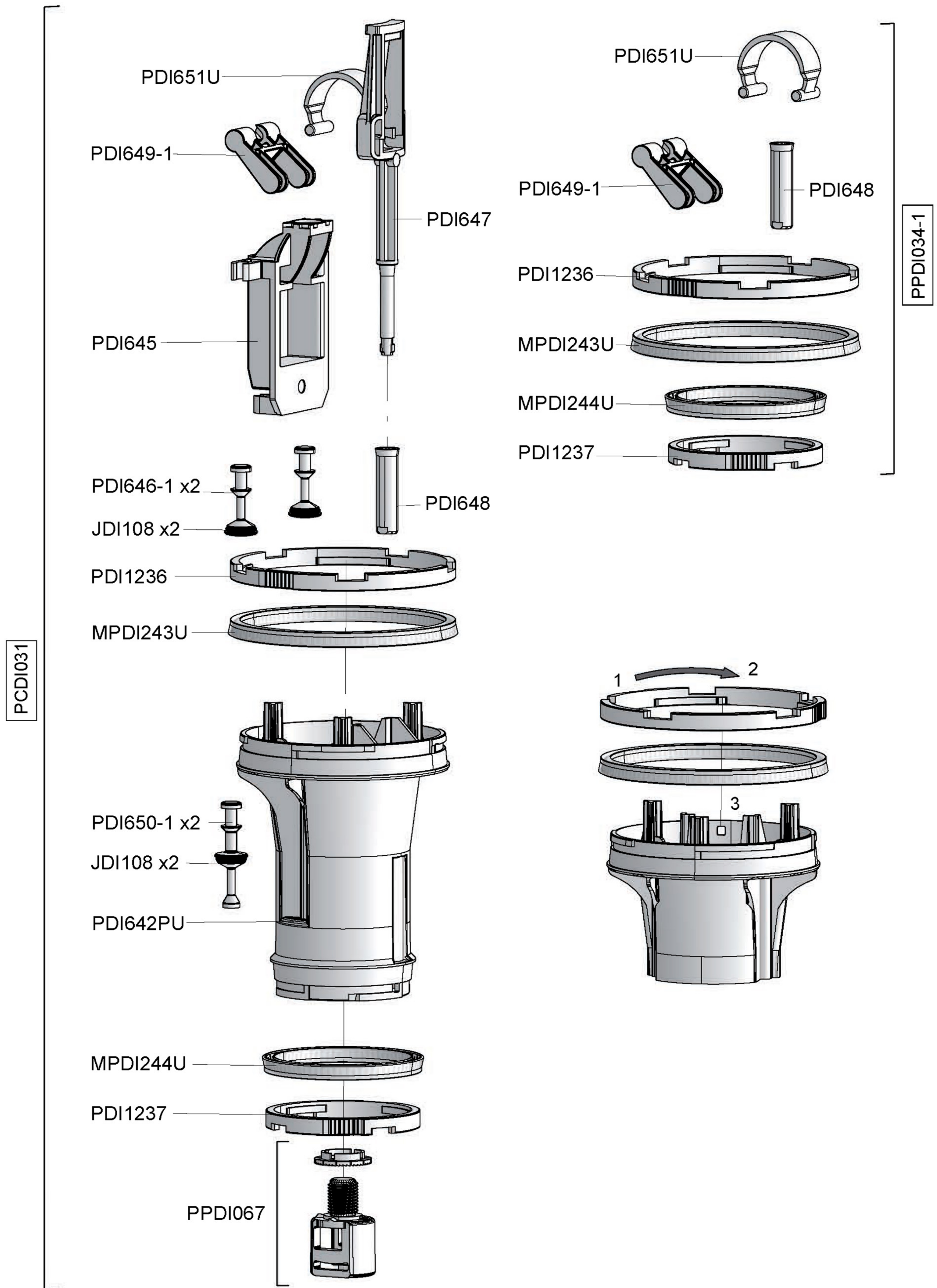
D14TMZ10

14 GPM - 1:100 - 1:10

3m³/h - 1 - 10%

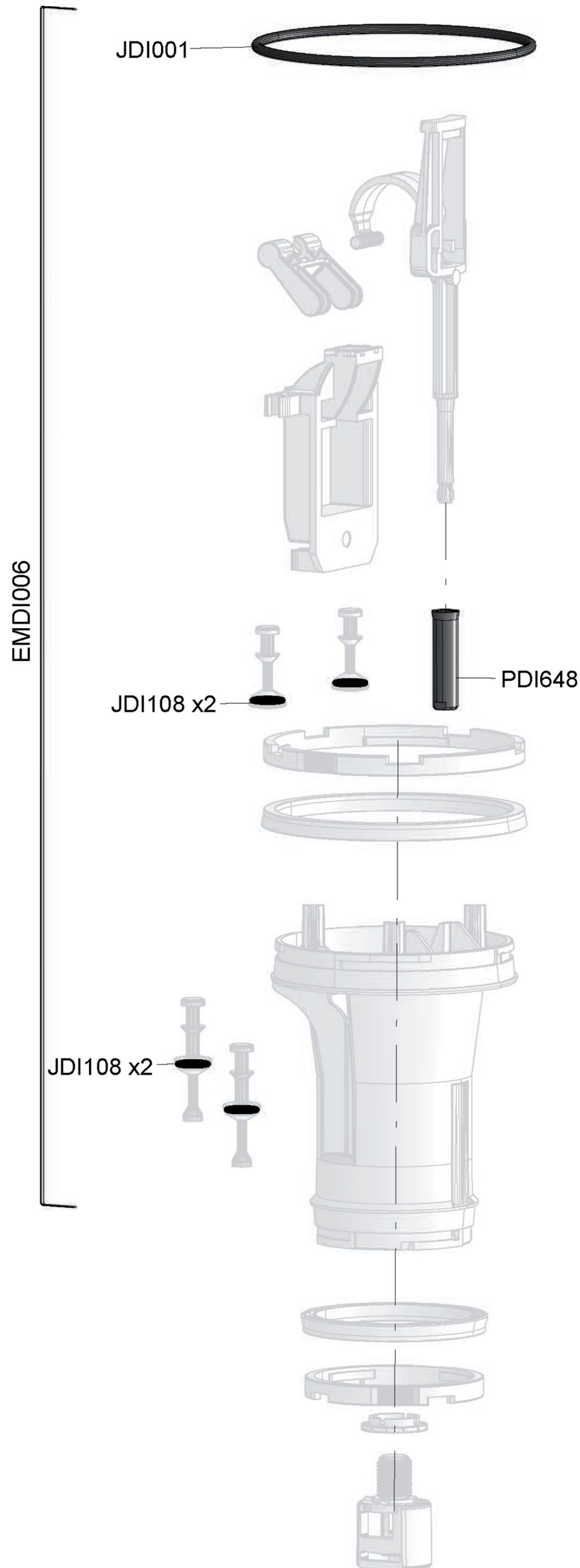
7 - 85 psi

0.5 - 6 bar



D14TMZ10

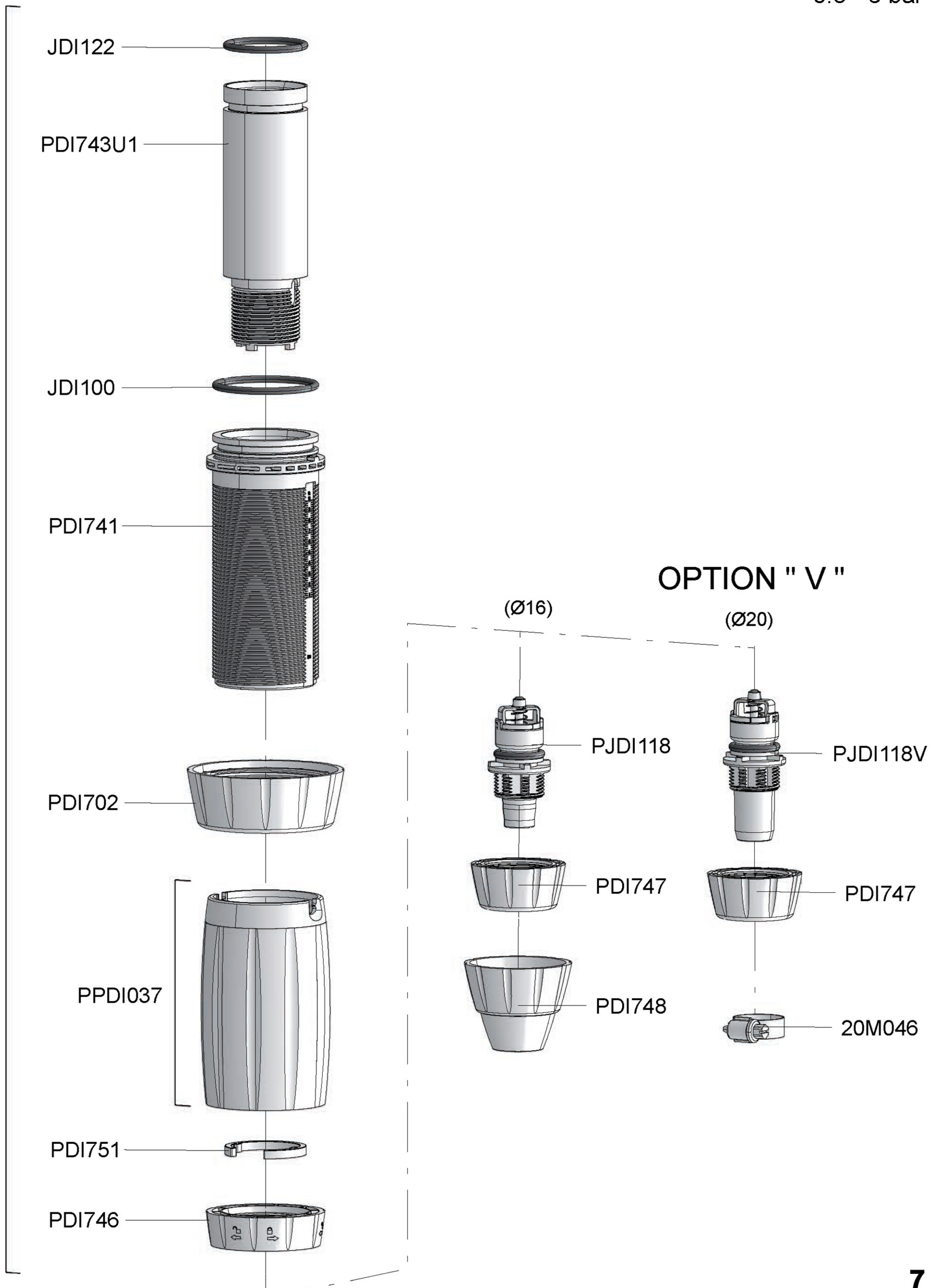
14 GPM - 1:100 - 1:10
3m³/h - 1 - 10%
7 - 85 psi
0.5 - 6 bar



D14TMZ10

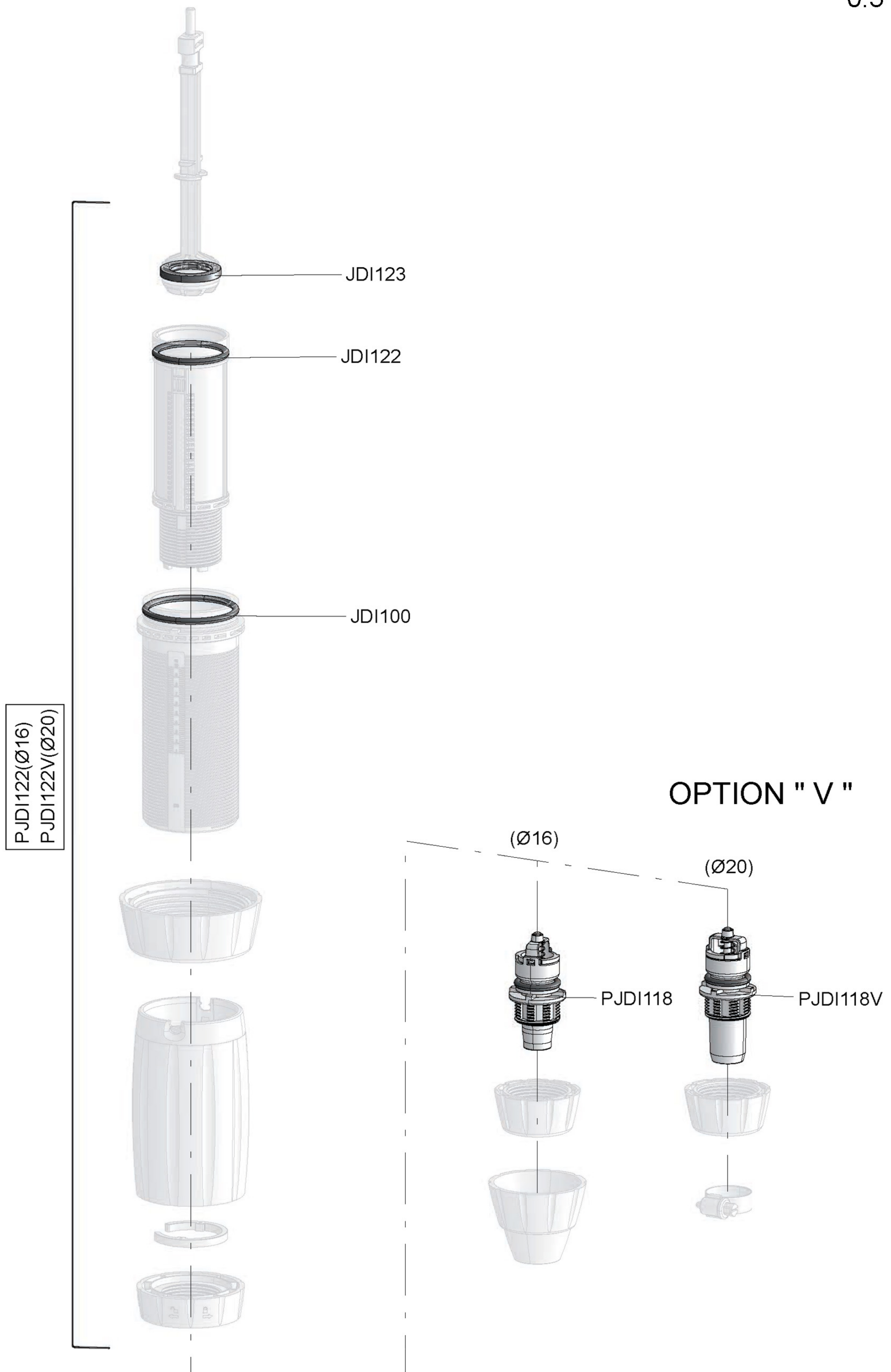
14 GPM - 1:100 - 1:10
3m³/h - 1 - 10%
7 - 85 psi
0.5 - 6 bar

CDDI076-1 (Ø16)
CDDI076V-1 (Ø20)



D14TMZ10

14 GPM - 1:100 - 1:10
3m³/h - 1 - 10%
7 - 85 psi
0.5 - 6 bar



D14TMZ10

14 GPM - 1:100 - 1:10
3m³/h - 1 - 10%
7 - 85 psi
0.5 - 6 bar

