



DOSATRON®

WATER POWERED DOSING TECHNOLOGY

Introducing the **D132**

Dosatron's Mega-Flo Series Chemical Injectors

The D132 Series of chemical injectors is part of the **Mega-Flo Series!** These models have the water flow capacity of **132 gallons per minute**.

The two D132 models are exactly what you need to inject disinfectants and the low injection rate model (1:30,000) is for direct injection of water treatment chemicals.

The D132 is great for:

- Disinfectants
- Chlorine Dioxide
- Chlorine
- PAA



To learn more about the D132 or to order, call **1-800-523-8499** or **CHAT** with us on our website at www.dosatronusa.com.

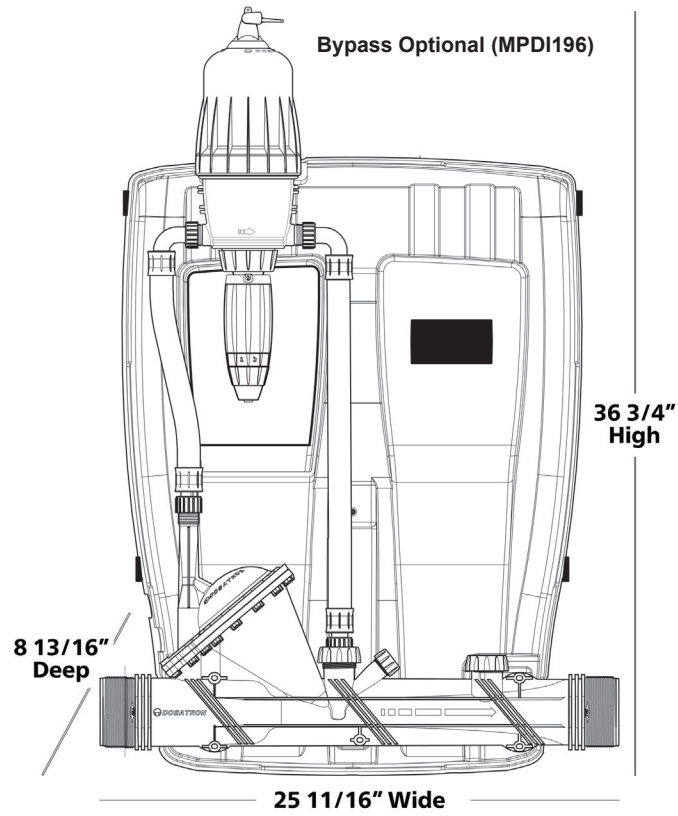
UNIT SPECIFICATIONS

MODEL	D132MZ30000	D132MZ5000
MAX. FLOW	132 GPM	132 GPM
MIN. FLOW	35.2 GPM	35.2 GPM
INJECTION PERCENTS	0.003% to 0.03%	0.02% to 0.2%
INJECTION RATIO	1:30,000 to 1:3,000	1:5,000 to 1:500
PRESSURE RANGE	7 - 87 PSI	7 - 87 PSI
CONNECTIONS	3" NPT	3" NPT

All units include: suction hose, weighted strainer, and quick start guide. MAXIMUM TEMPERATURE: 104°F

1-800-523-8499 • 1-727-443-5404 • www.dosatronusa.com

D132 DIAGRAM



UNIT INSTALLATION

