



# DOSATRON®

An Ingersoll Rand Business



## D14MZ2 - 14 GPM INTERACTIVE SCHEMATICS

### UNIT SPECIFICATIONS

- 1:500 - 1:50
- 4.3 - 85 PSI
- 3/4" NPT Connection

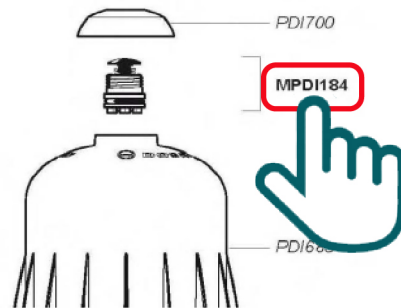
### SUGGESTED INSTALLATION

- 200 mesh/80 micron water filter prior to the unit

### SUGGESTED MAINTENANCE

- Mini-Maintenance Kit  
Part #: **PJDI116MINI-H**  
For regular maintenance
- Injection Seal Kit  
Part #: **PJDI116**  
For yearly maintenance
- Rebuild Kit  
Part #: **MKD14MZ2**  
Extends the life of your unit
- Piston Flange Kit  
Part #: **PPDI034**

### DOCUMENT INSTRUCTIONS

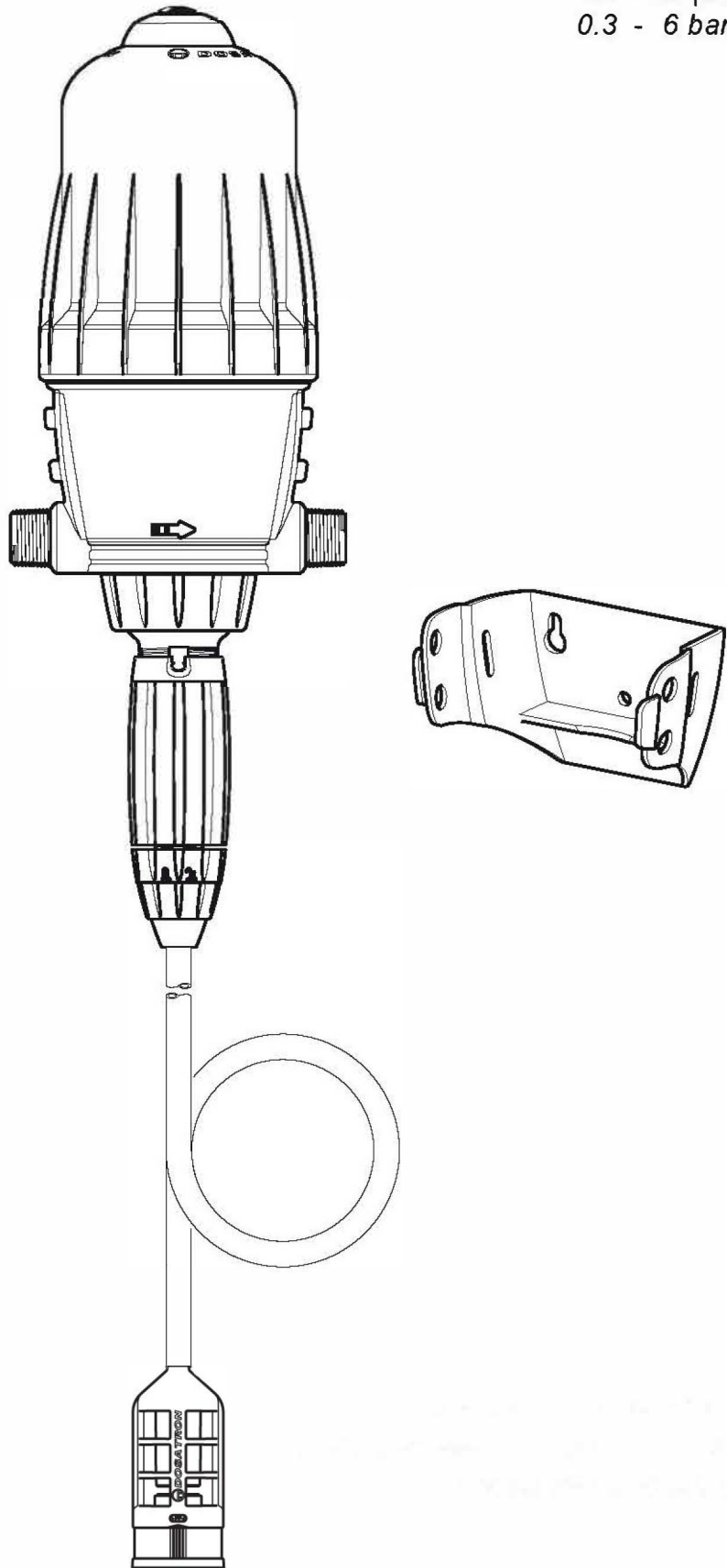


- Click on a part #, to visit item page
- Click arrow back from item page, to return to this document



# D14MZ2

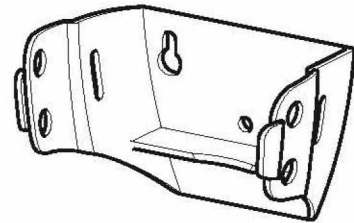
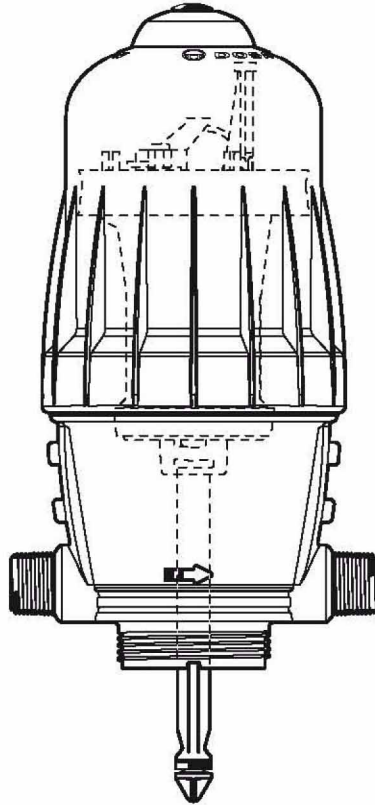
14 GPM - 1:500 - 1:50  
3 m<sup>3</sup>/h - 0.2 - 2 %  
4.3 - 85 psi  
0.3 - 6 bar



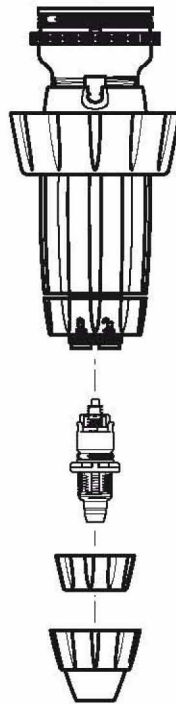
# D14MZ2

14 GPM - 1:500 - 1:50  
3 m<sup>3</sup>/h - 0.2 - 2 %  
4.3 - 85 psi  
0.3 - 6 bar

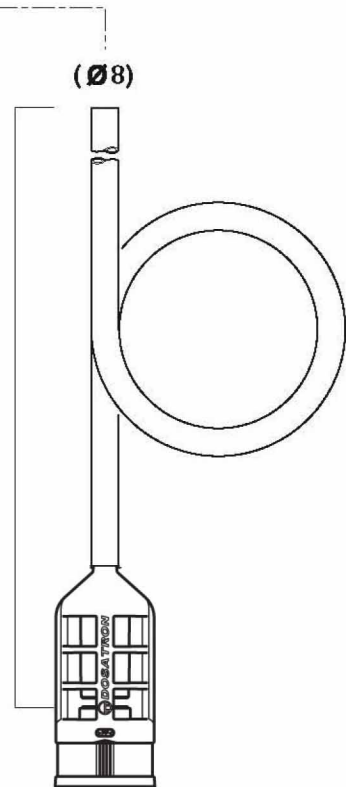
C+M



D

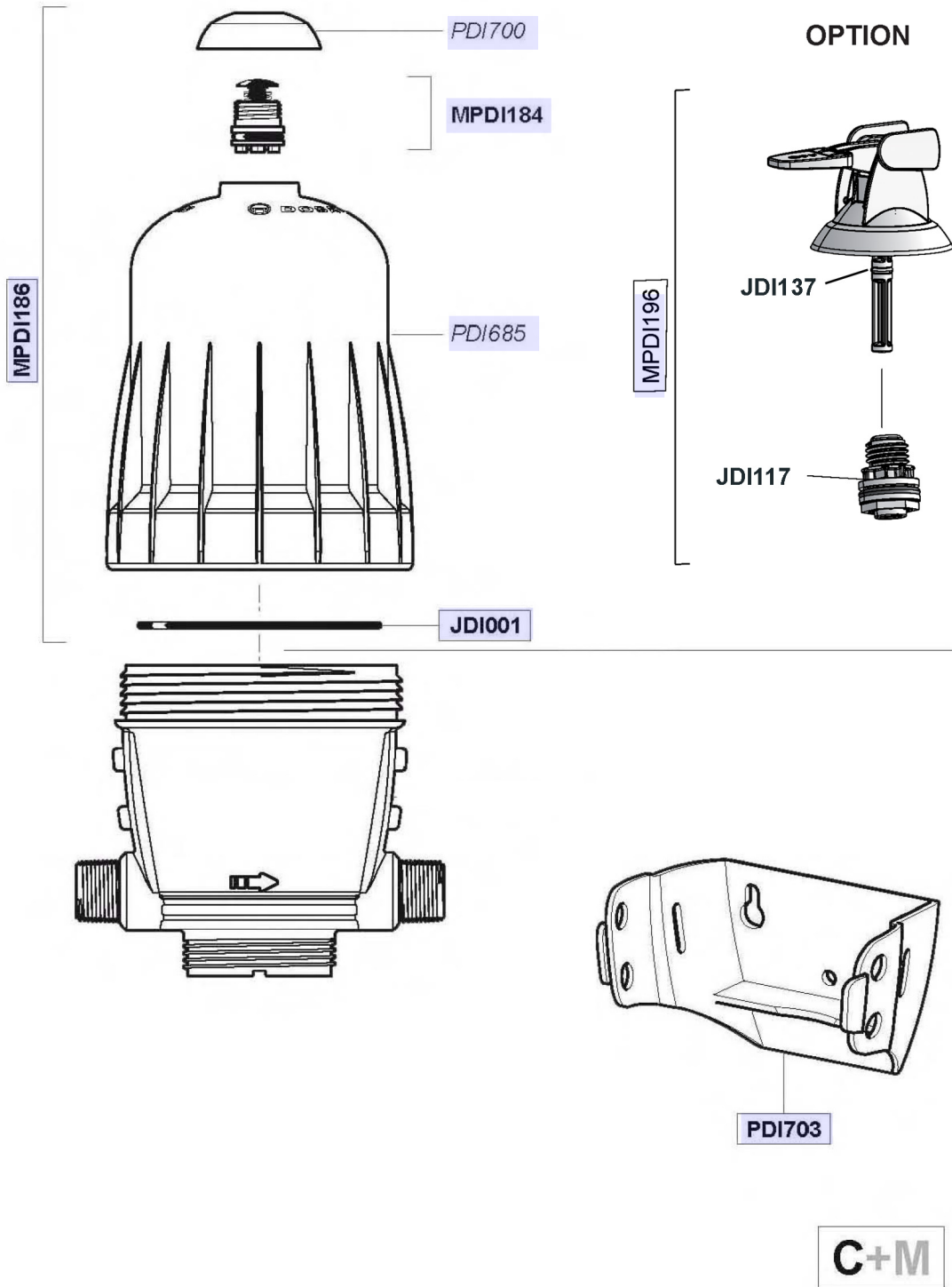


A



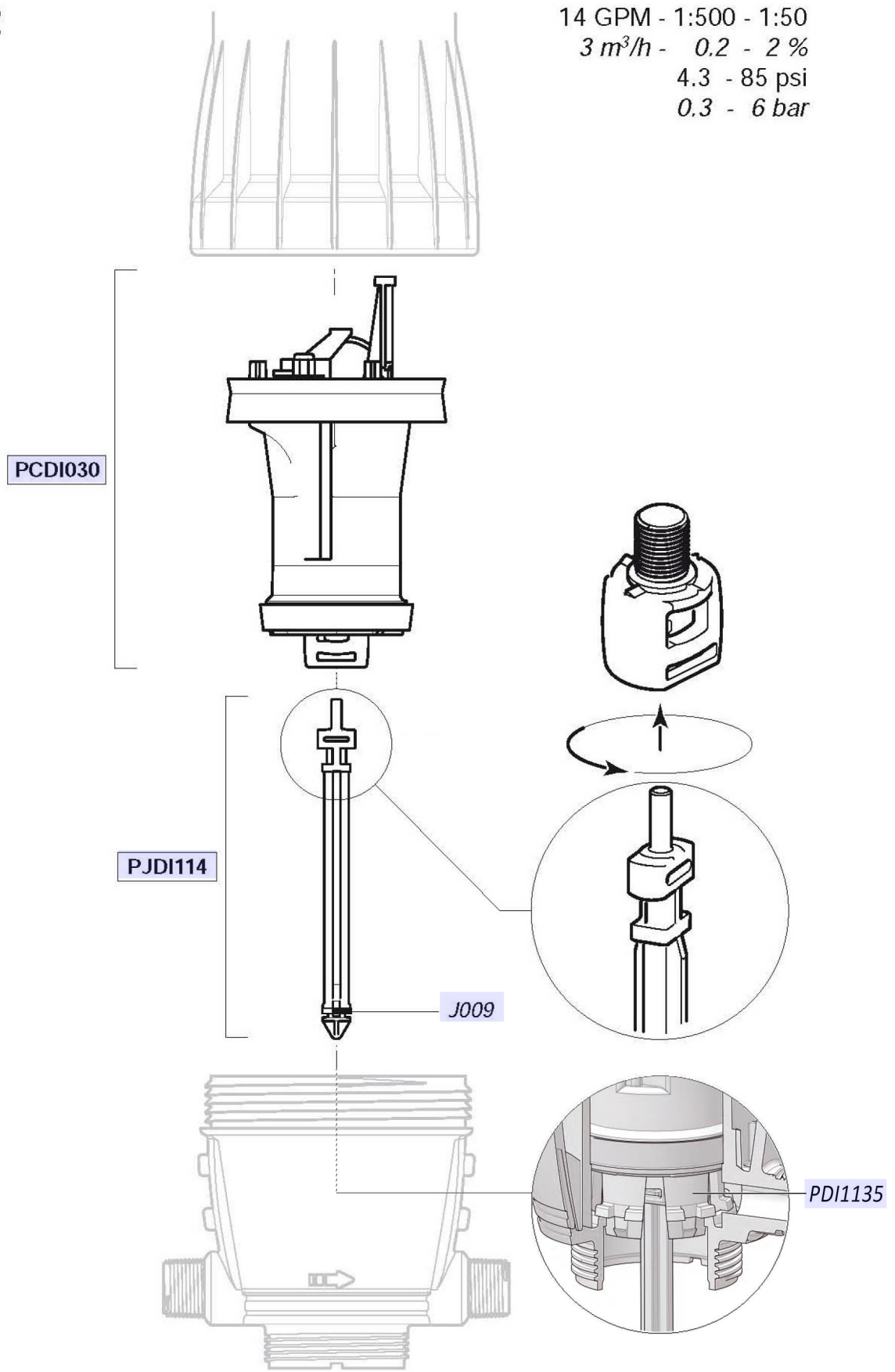
# D14MZ2

14 GPM - 1:500 - 1:50  
3 m<sup>3</sup>/h - 0.2 - 2 %  
4.3 - 85 psi  
0.3 - 6 bar



# D14MZ2

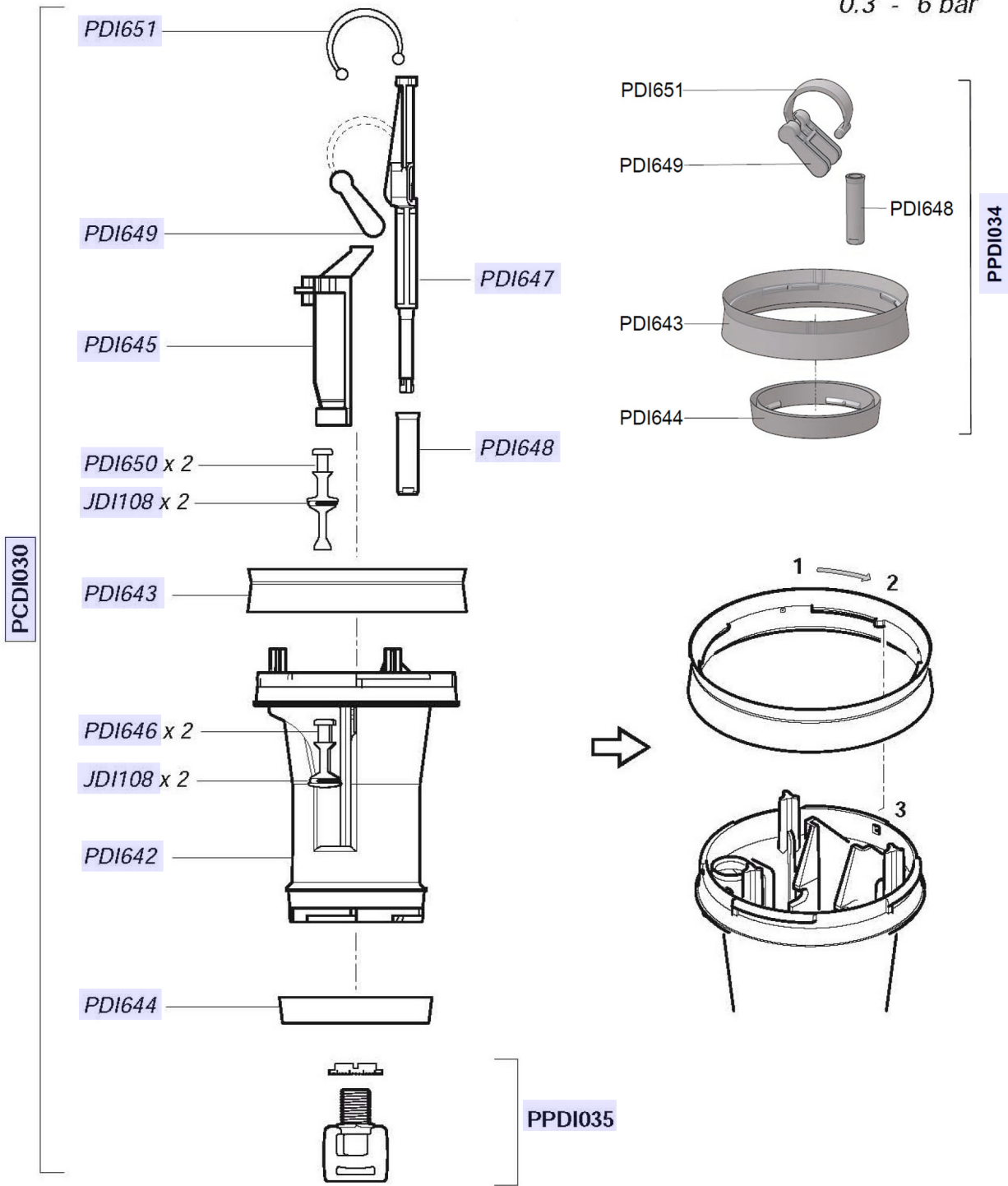
14 GPM - 1:500 - 1:50  
3 m<sup>3</sup>/h - 0.2 - 2 %  
4.3 - 85 psi  
0.3 - 6 bar



© DOSATRON INTERNATIONAL S.A.S. 2008  
D14MZ2/0608/D4

# D14MZ2

14 GPM - 1:500 - 1:50  
 3 m<sup>3</sup>/h - 0.2 - 2 %  
 4.3 - 85 psi  
 0.3 - 6 bar

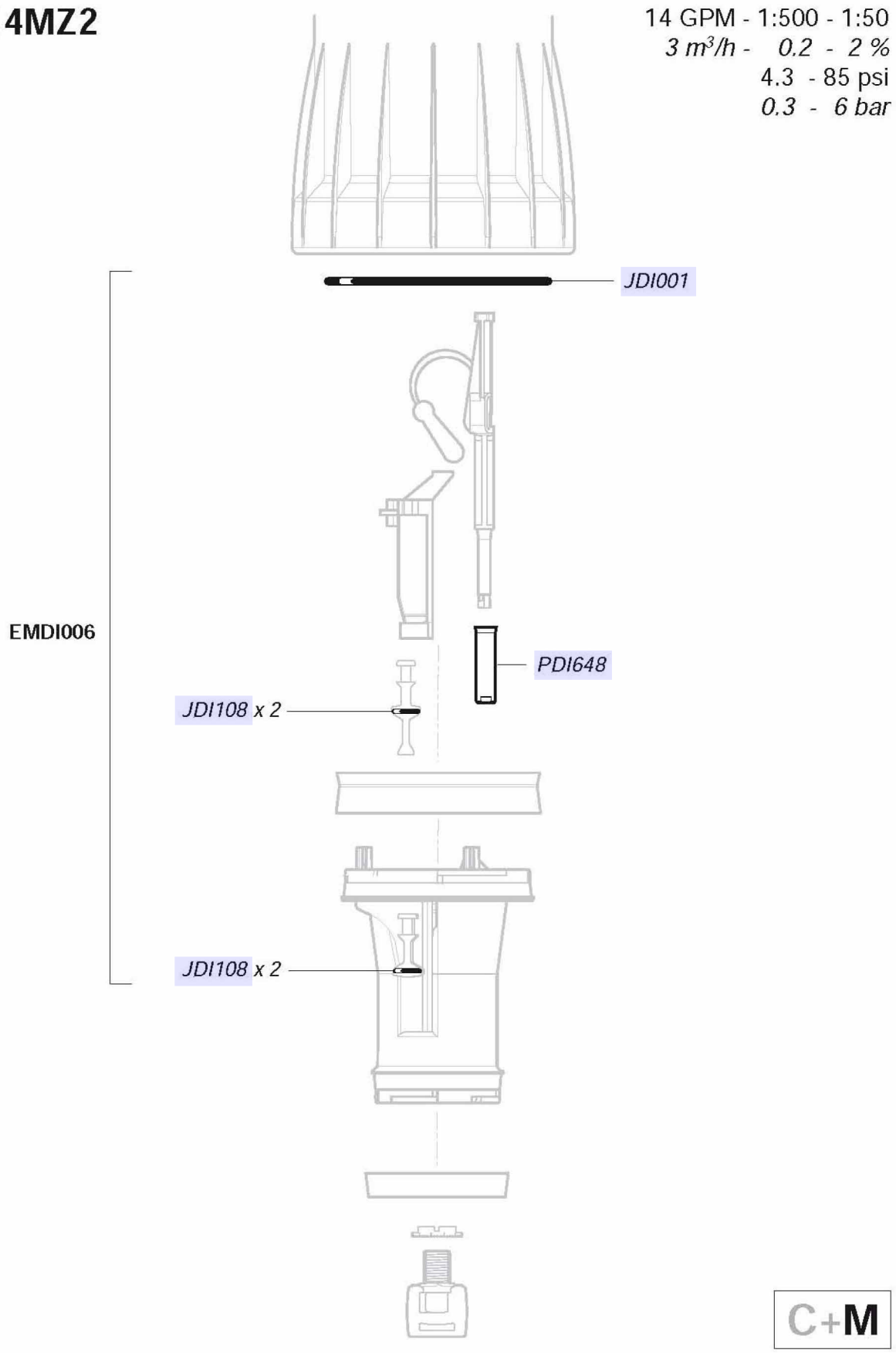


© DOSATRON INTERNATIONAL S.A.S. 2008  
 D14MZ2/0608/DS



# D14MZ2

14 GPM - 1:500 - 1:50  
3 m<sup>3</sup>/h - 0.2 - 2 %  
4.3 - 85 psi  
0.3 - 6 bar

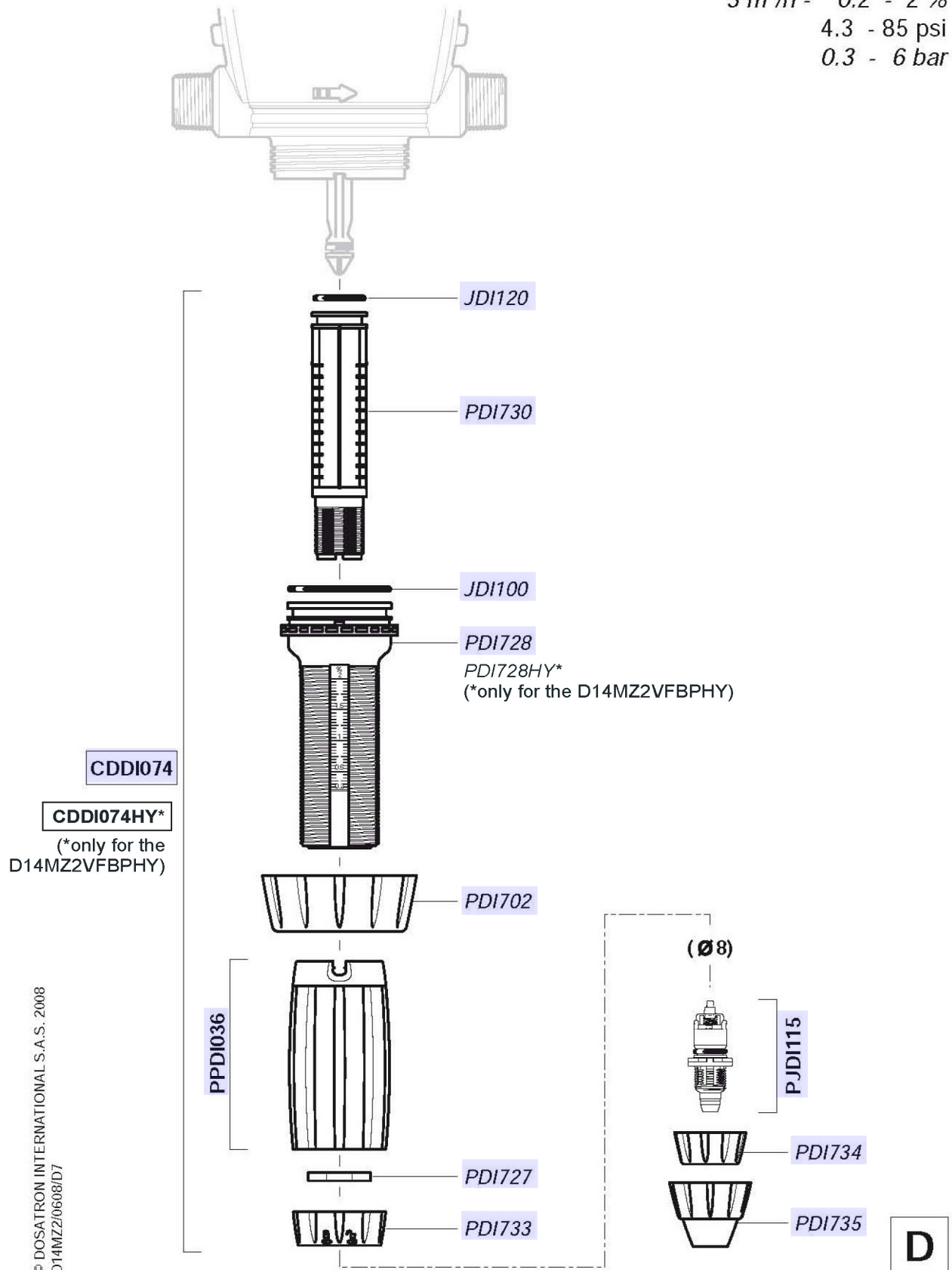


© DOSATRON INTERNATIONAL S.A.S. 2008  
D14MZ2/0608/D6



# D14MZ2

14 GPM - 1:500 - 1:50  
 3 m<sup>3</sup>/h - 0.2 - 2 %  
 4.3 - 85 psi  
 0.3 - 6 bar



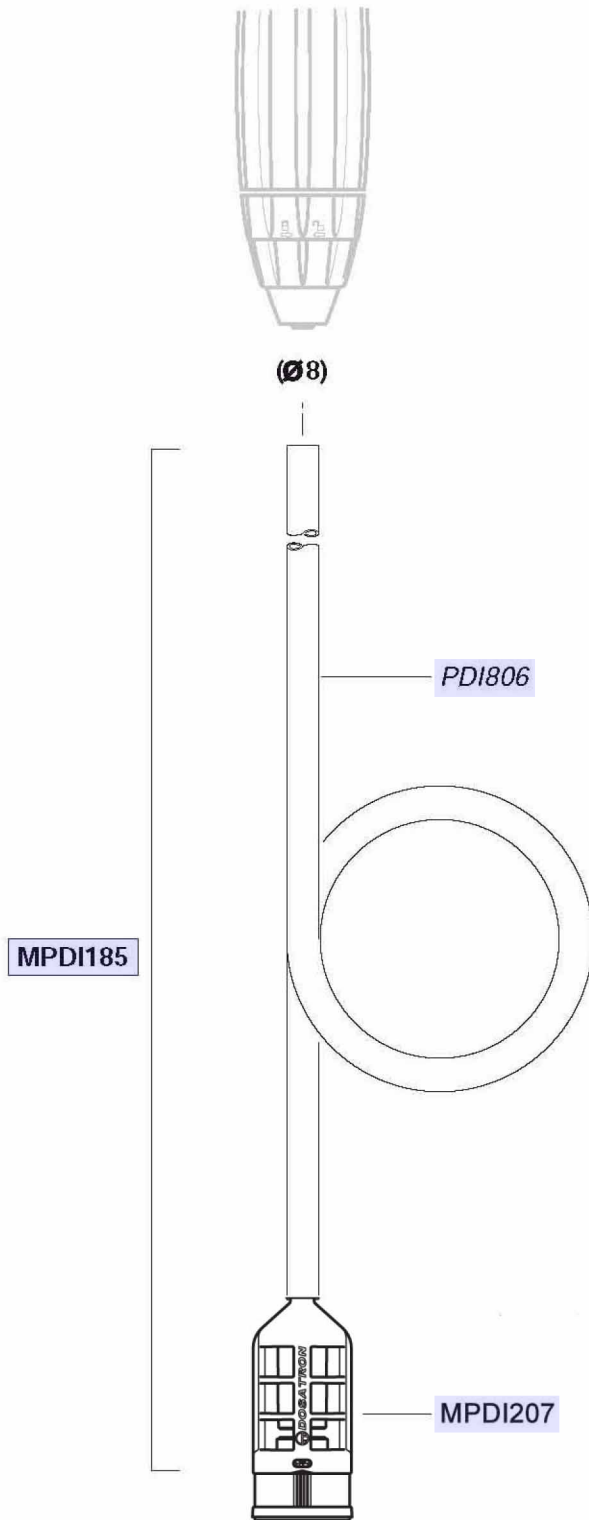
© DOSATRON INTERNATIONAL S.A.S. 2008  
 D14MZ2/0608/D7





# D14MZ2

14 GPM - 1:500 - 1:50  
3 m<sup>3</sup>/h - 0.2 - 2 %  
4.3 - 85 psi  
0.3 - 6 bar



© DOSATROM INTERNATIONAL S.A.S. 2008  
D14MZ2/0608/D9

**A**