



# DOSATRON®

An Ingersoll Rand Business



## D45RE15 - 20 GPM INTERACTIVE SCHEMATICS

### UNIT SPECIFICATIONS

- 1:500 - 1:66
- 7 - 70 PSI
- 1" NPT Connection

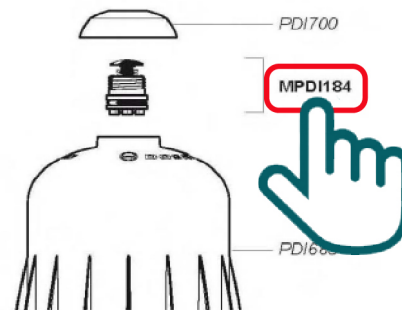
### SUGGESTED INSTALLATION

- 200 mesh/80 micron water filter prior to the unit

### SUGGESTED MAINTENANCE

- Mini-Maintenance Kit  
Part #: [PJ096MINI-H](#)  
For regular maintenance
- Injection Seal Kit  
Part #: [PJ096](#)  
For yearly maintenance

### DOCUMENT INSTRUCTIONS

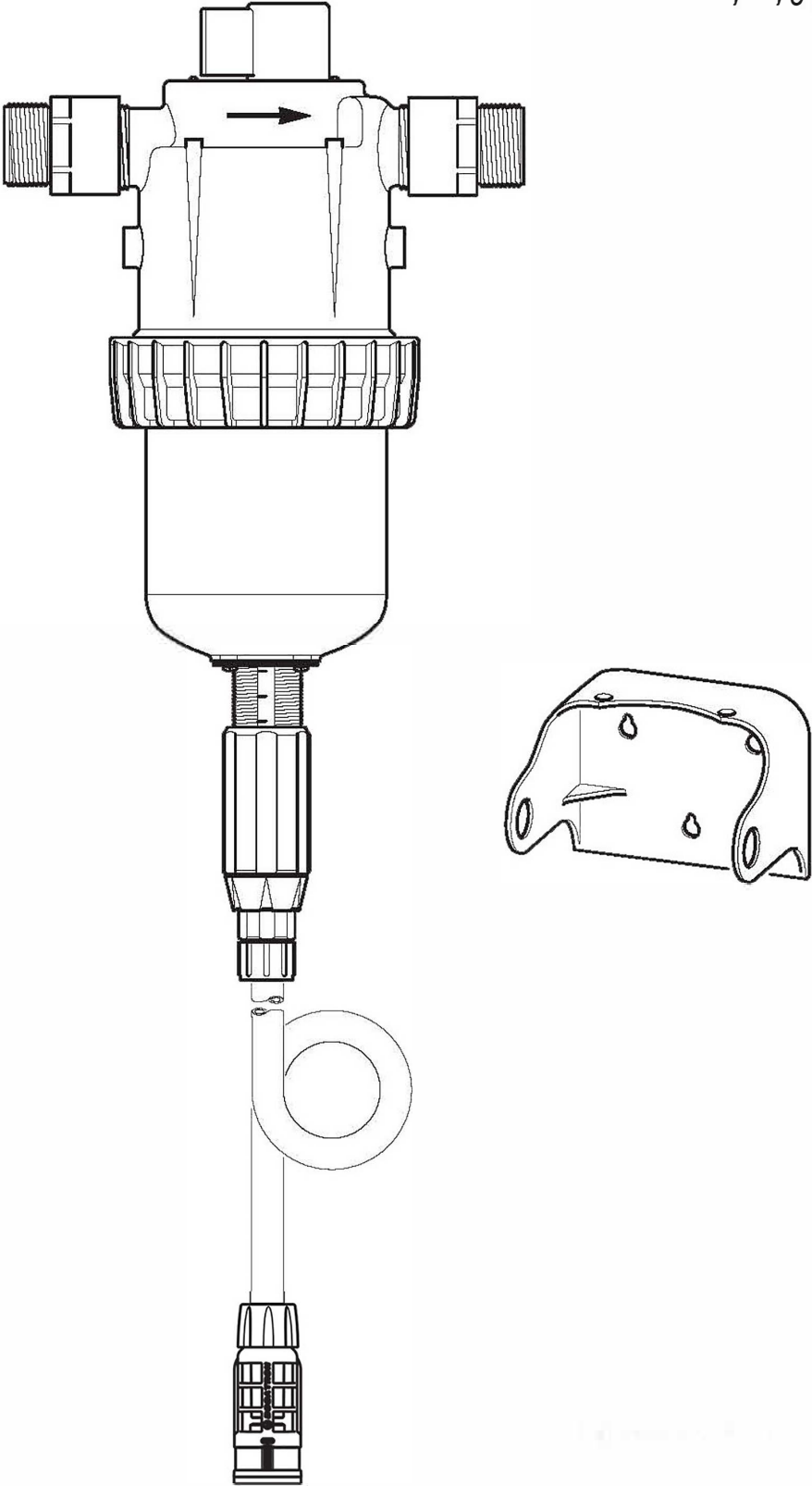


- Click on a part #, to visit item page
- Click arrow back from item page, to return to this document



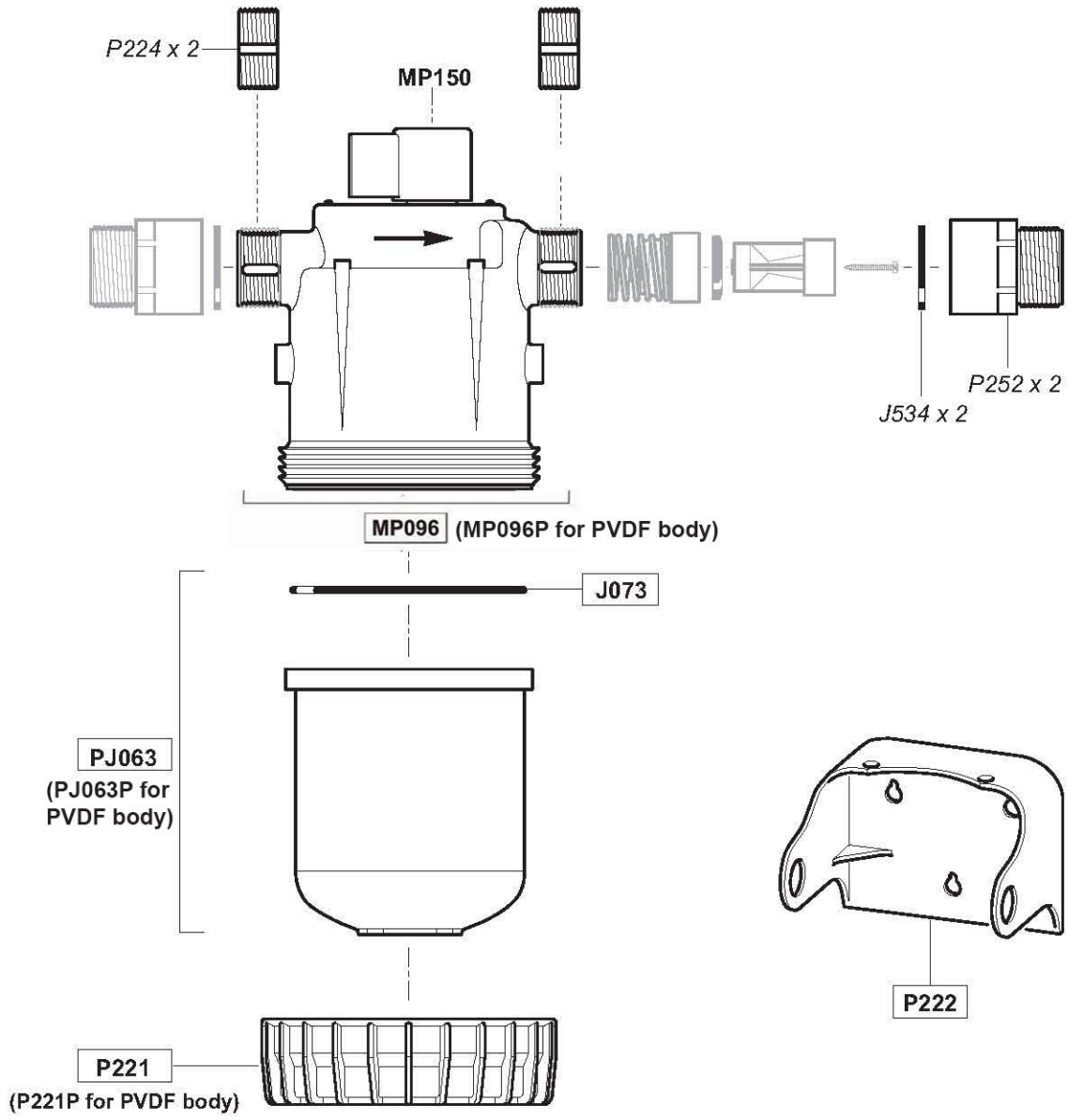
D45RE1.5

20 GPM - 1:500 - 1:67  
7 - 70 psi



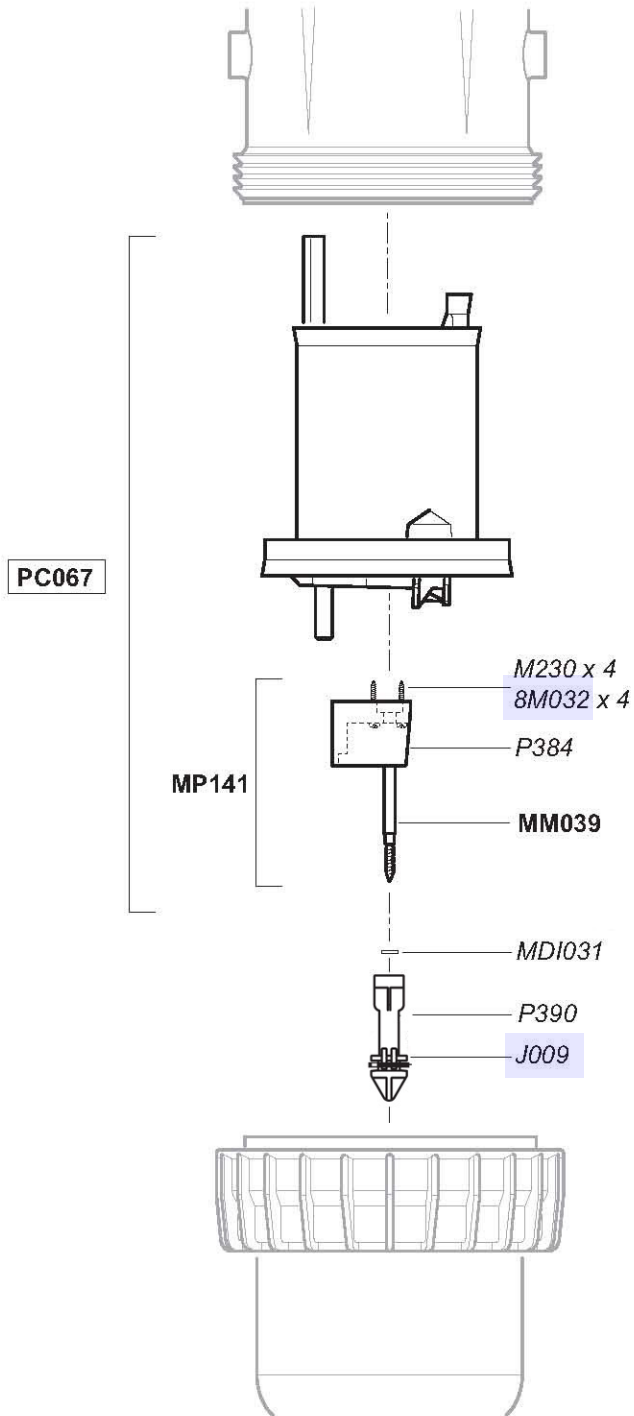
# D45RE1.5

20 GPM - 1:500 - 1:67  
7 - 70 psi



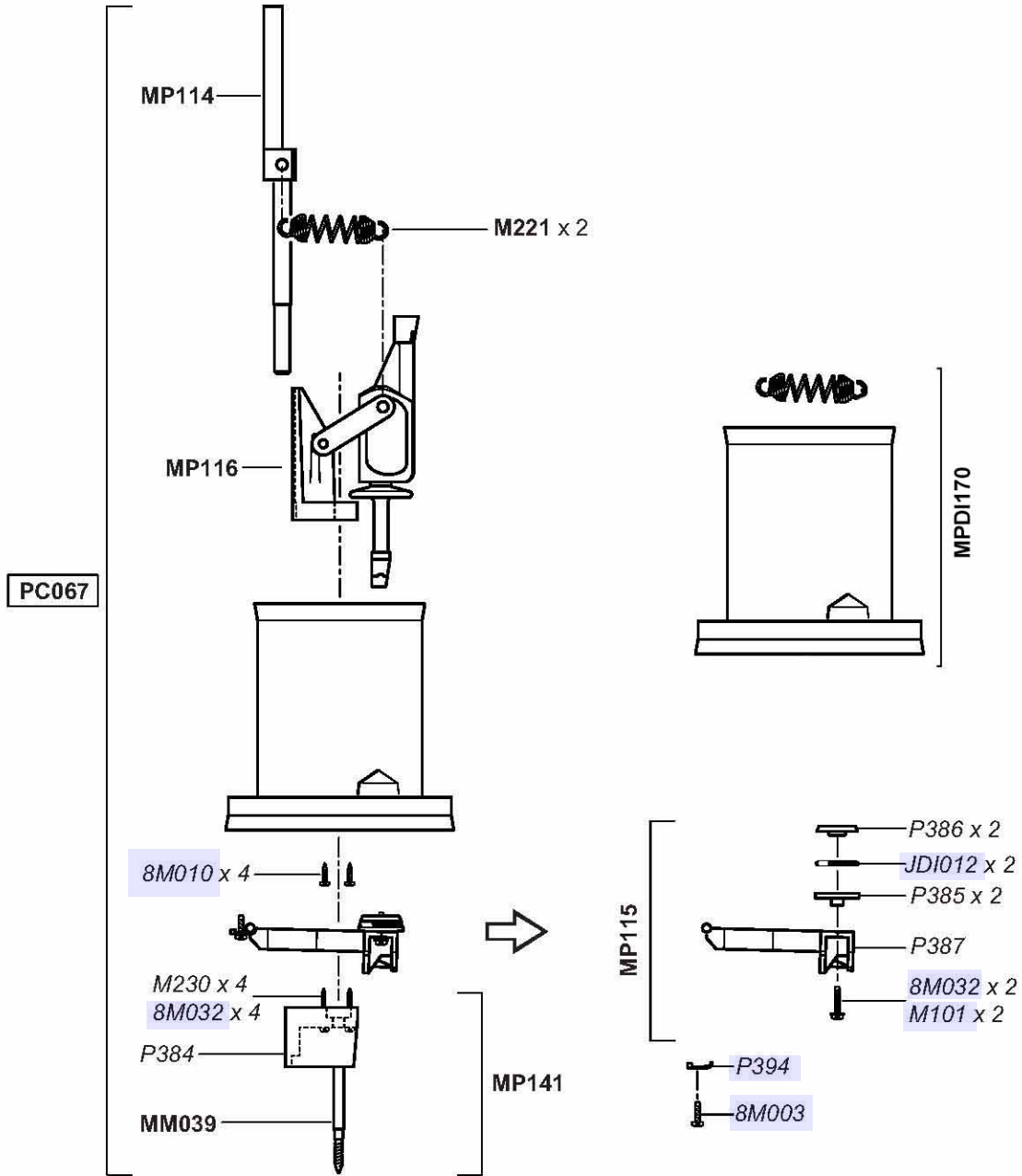
# D45RE1.5

20 GPM - 1:500 - 1:67  
7 - 70 psi



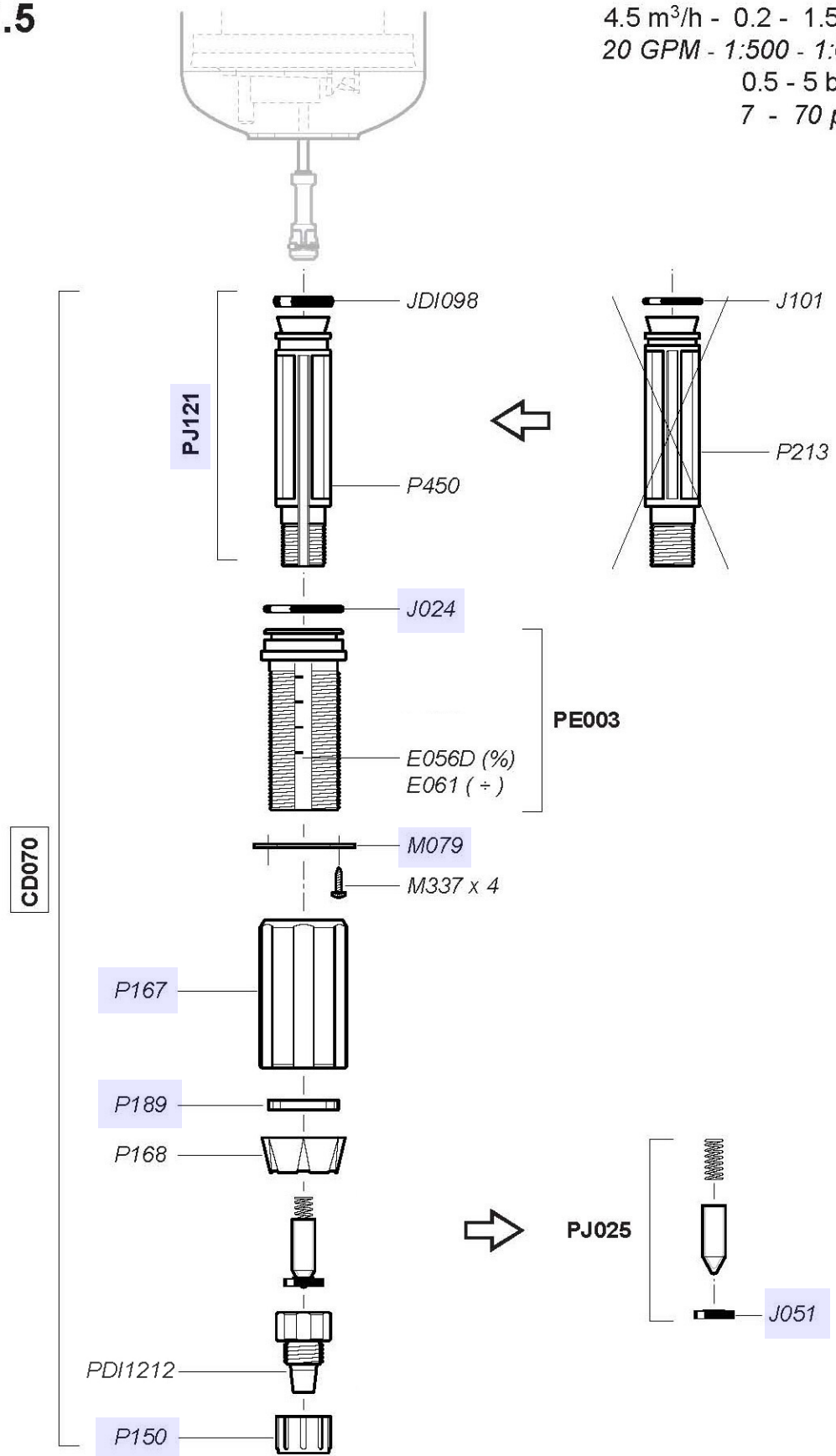
# D45RE1.5

20 GPM - 1:500 - 1:67  
7 - 70 psi



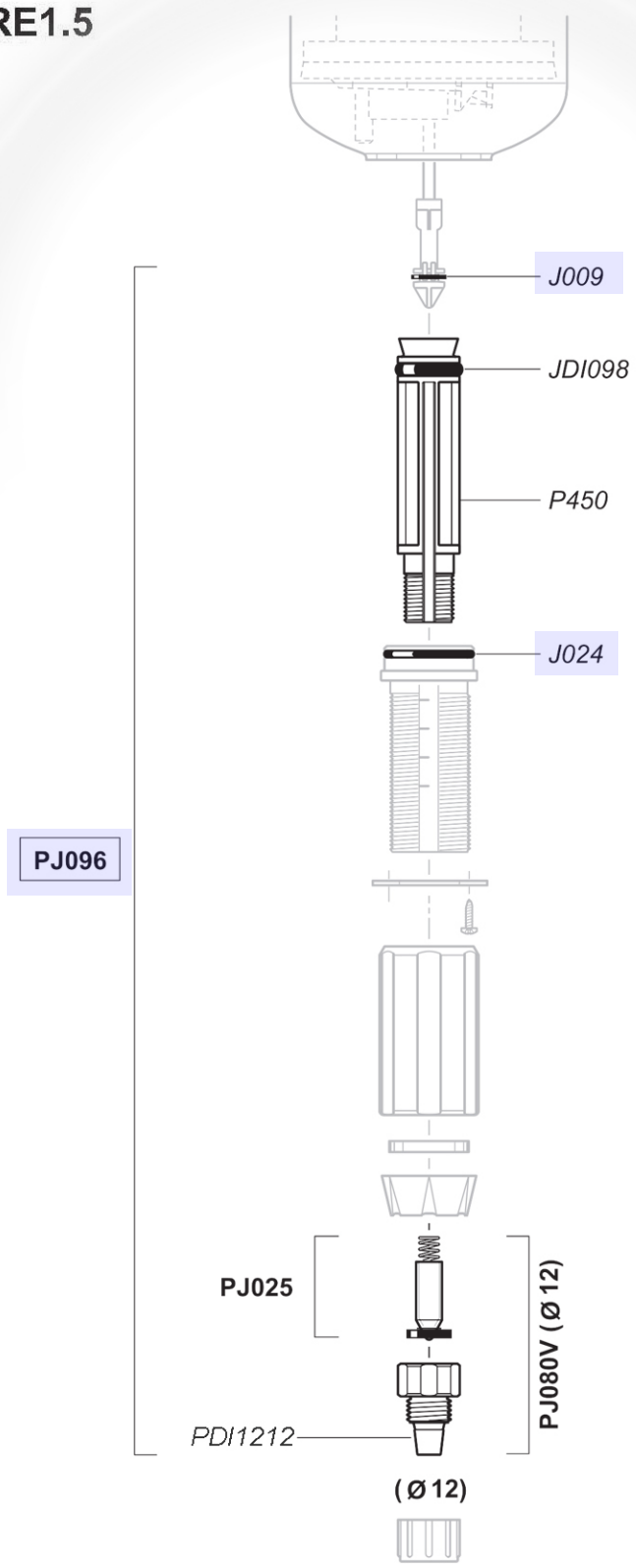
# D45RE1.5

4.5 m<sup>3</sup>/h - 0.2 - 1.5%  
 20 GPM - 1:500 - 1:67  
 0.5 - 5 bar  
 7 - 70 psi



# D45RE1.5

20 GPM - 1:500 - 1:67  
7 - 70 psi



**D45RE1.5**

20 GPM - 1:500 - 1:67  
7 - 70 psi

