



DOSATRON®

An Ingersoll Rand Business



D40MZ3000 - 40 GPM INTERACTIVE SCHEMATICS

UNIT SPECIFICATIONS

- 1:3000 - 1:500
- 4.3 - 116 PSI
- 1 1/2" NPT Connection

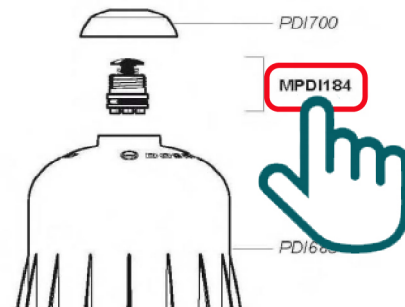
SUGGESTED INSTALLATION

- 200 mesh/80 micron water filter prior to the unit

SUGGESTED MAINTENANCE

- Mini-Maintenance Kit
Part #: [PJDI216MINI](#)
For regular maintenance
- Injection Seal Kit
Part #: [PJDI216](#)
For yearly maintenance
- Rebuild Kit
Part #: [MKD40MZ3000](#)
Extends the life of your unit
- Piston Flange Kit
Part #: [PPDI065](#)

DOCUMENT INSTRUCTIONS



- Click on a part #, to visit item page
- Click arrow back from item page, to return to this document



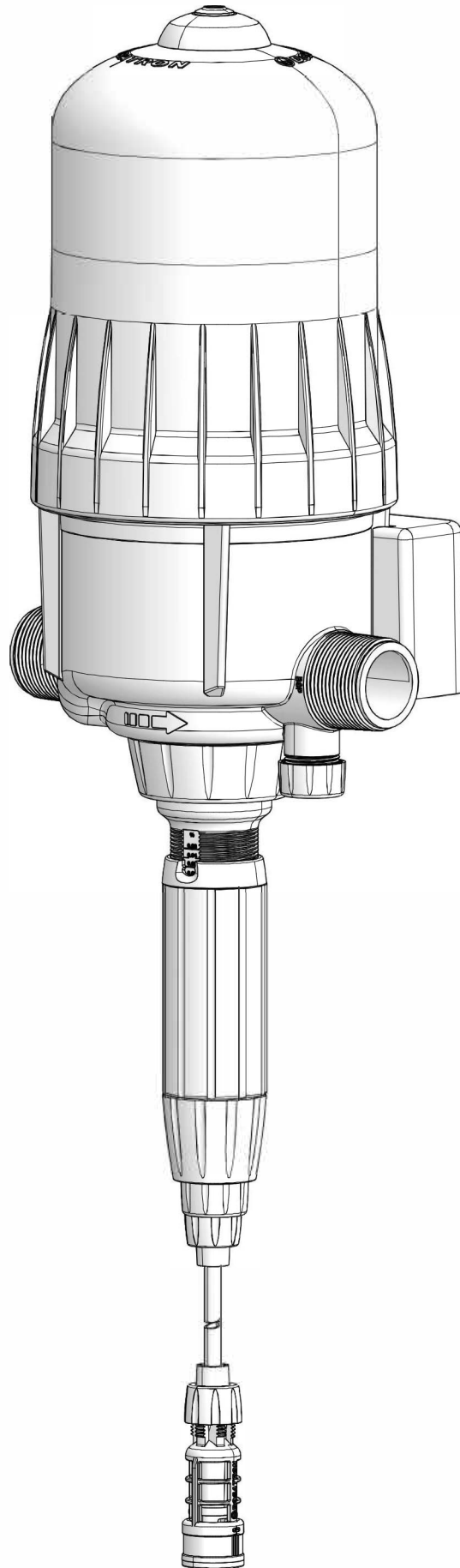
D40MZ3000

40 GPM - 1:3000 - 1:500

9m³/h - 0.03 - 0.2%

4.3 - 116 psi

0.3 - 8 bar



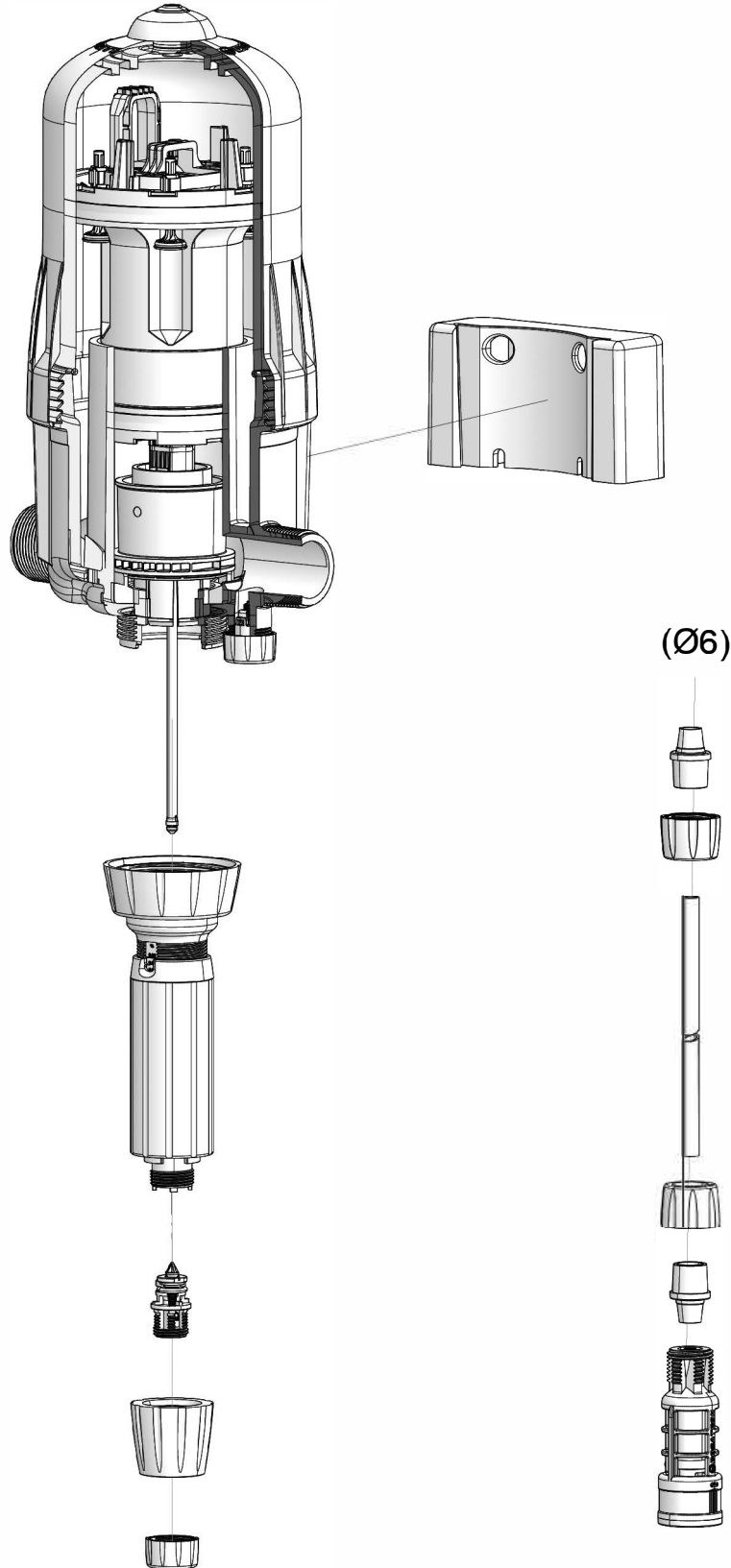
D40MZ3000

40 GPM - 1:3000 - 1:500

9m³/h - 0.03 - 0.2%

4.3 - 116 psi

0.3 - 8 bar



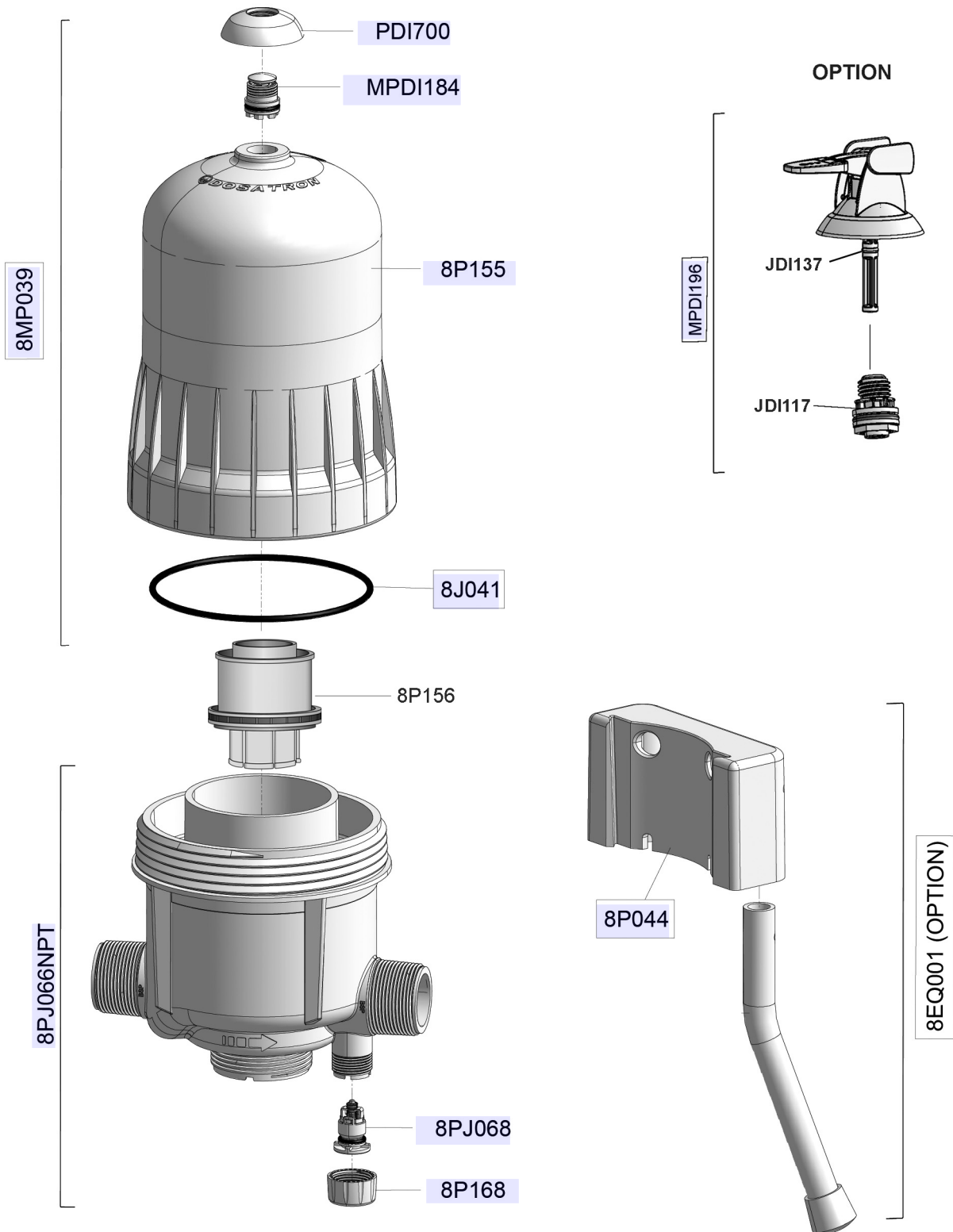
D40MZ3000

40 GPM - 1:3000 - 1:500

9m³/h - 0.03 - 0.2%

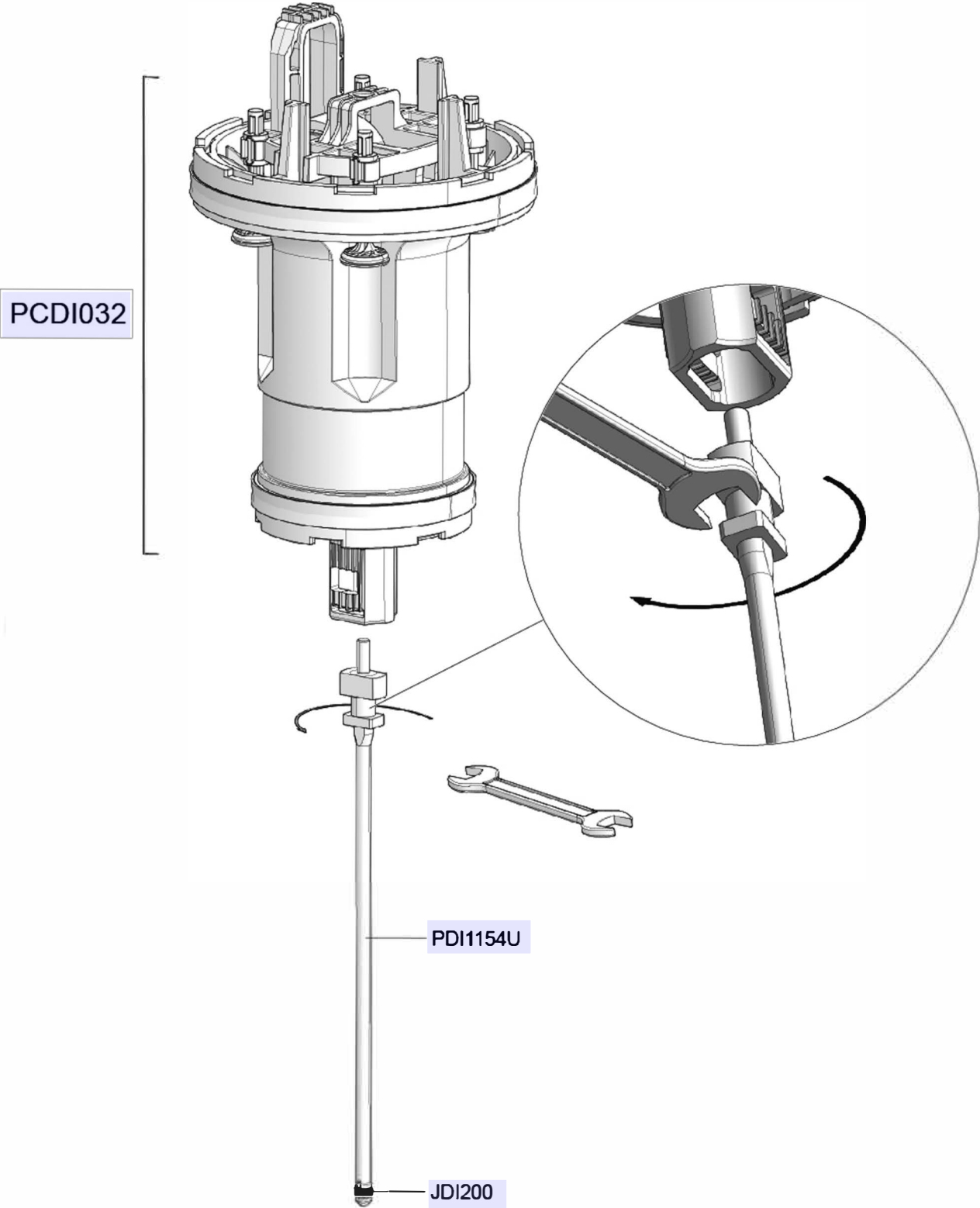
4.35 - 116 psi

0.3 - 8 bar



D40MZ3000

40 GPM - 1:3000 - 1:500
9m³/h - 0.03 - 0.2%
4.3 - 116 psi
0.3 - 8 bar



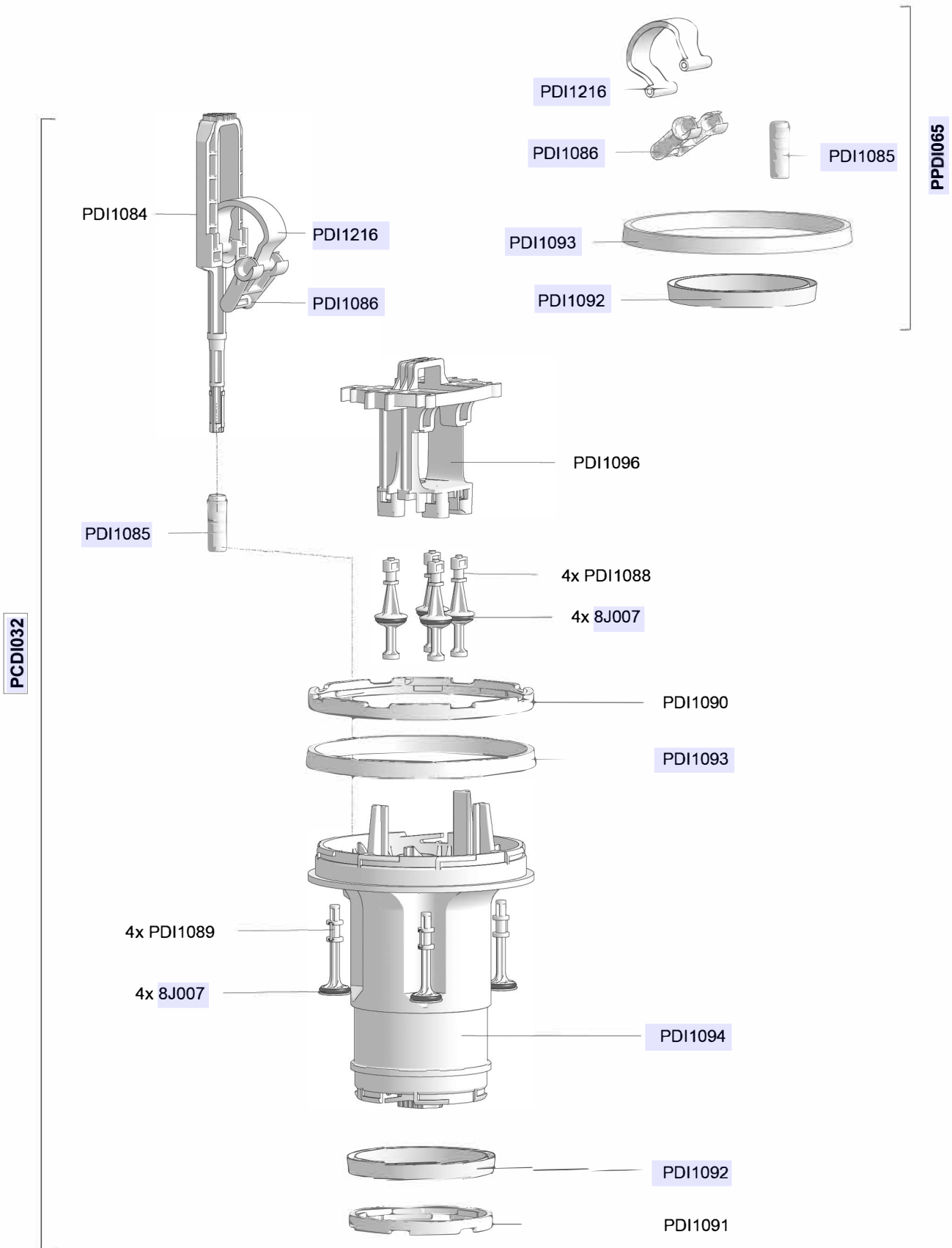
D40MZ3000

40 GPM - 1:3000 - 1:500

9m³/h - 0.03 - 0.2%

4.3 - 116 psi

0.3 - 8 bar



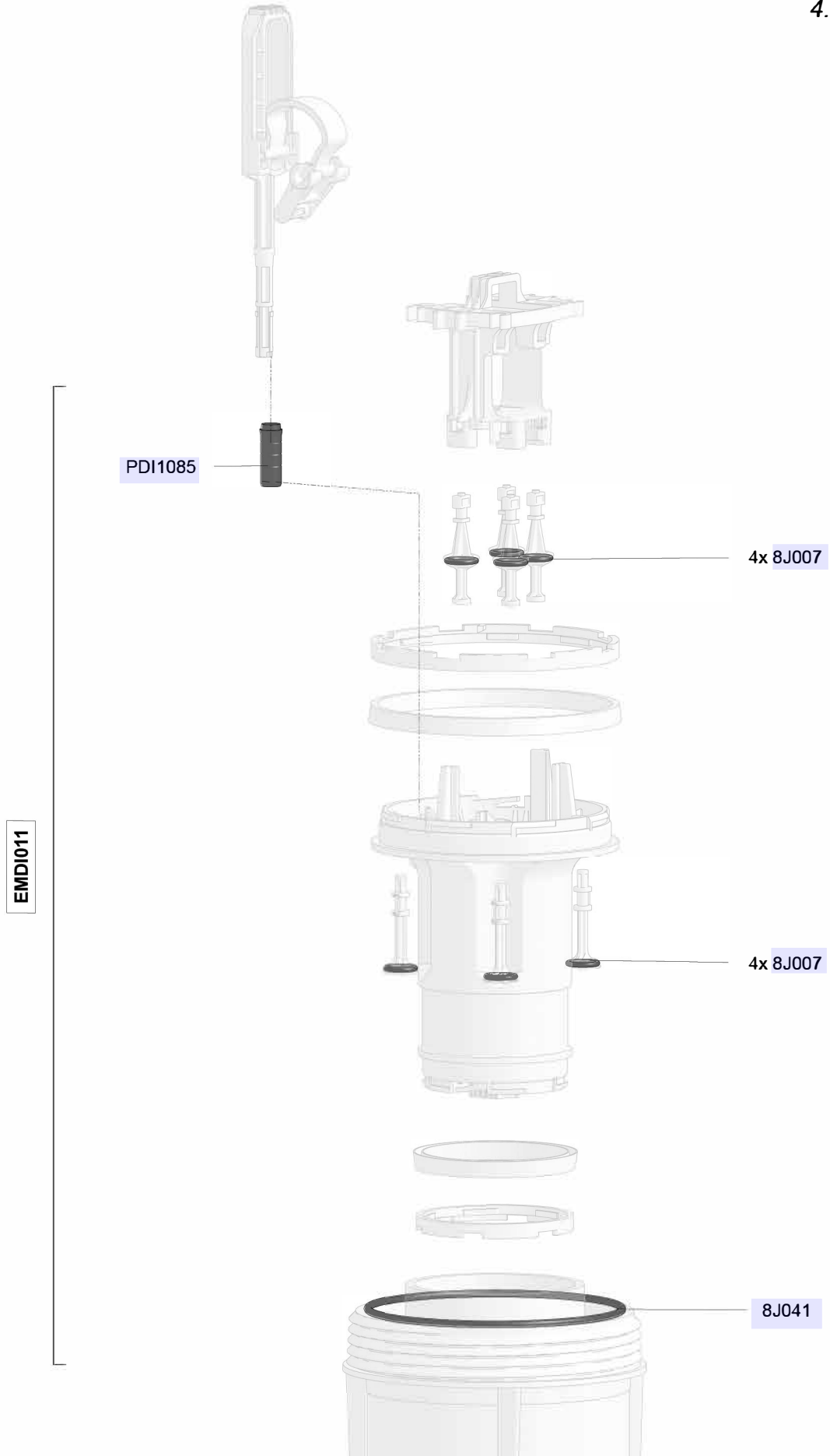
D40MZ3000

40 GPM - 1:3000 - 1:500

9m³/h - 0.03 - 0.2%

4.3 - 116 psi

0.3 - 8 bar



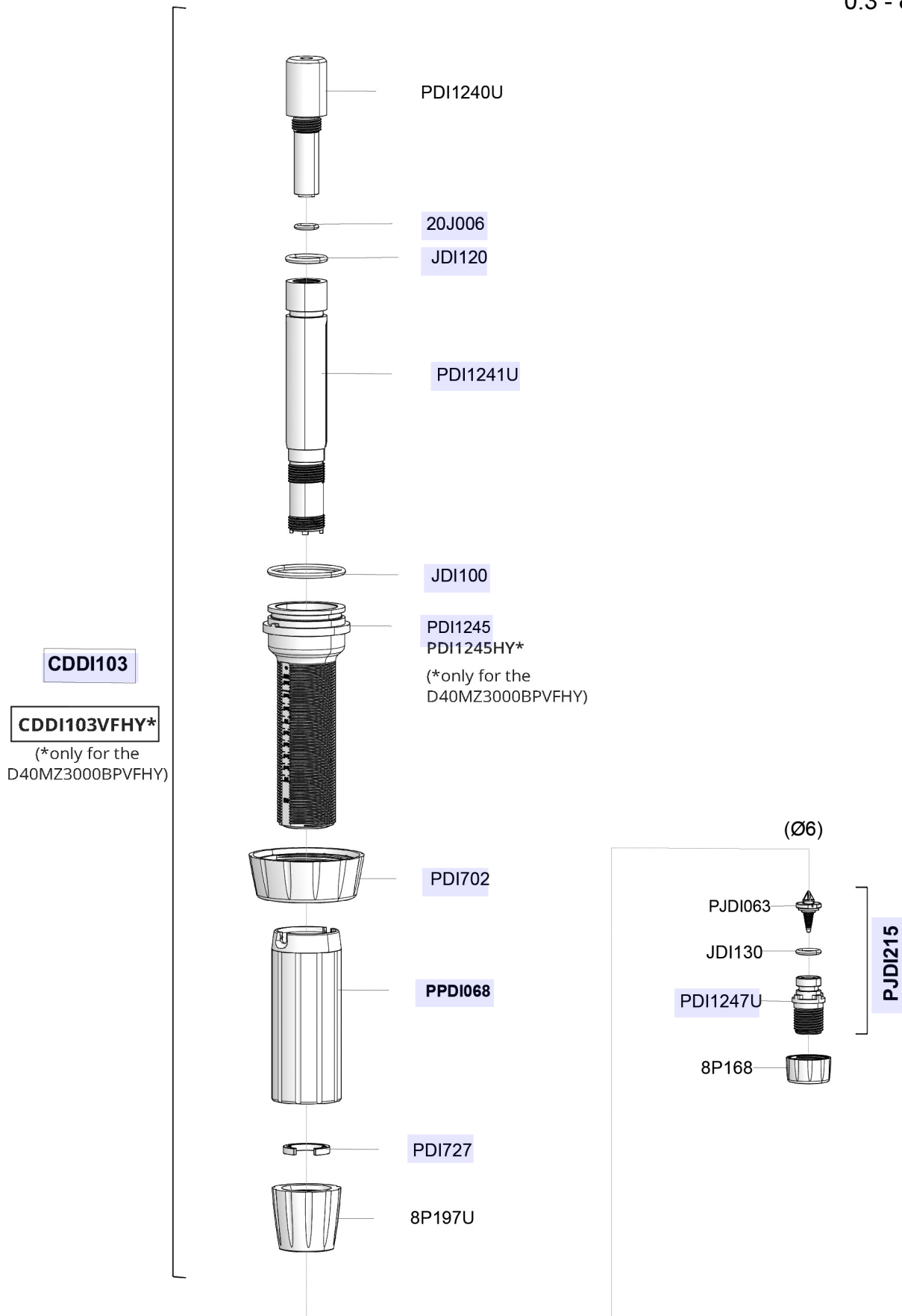
D40MZ3000

40 GPM - 1:3000 - 1:500

9m³/h - 0.03 - 0.2%

4.35 - 116 psi

0.3 - 8 bar



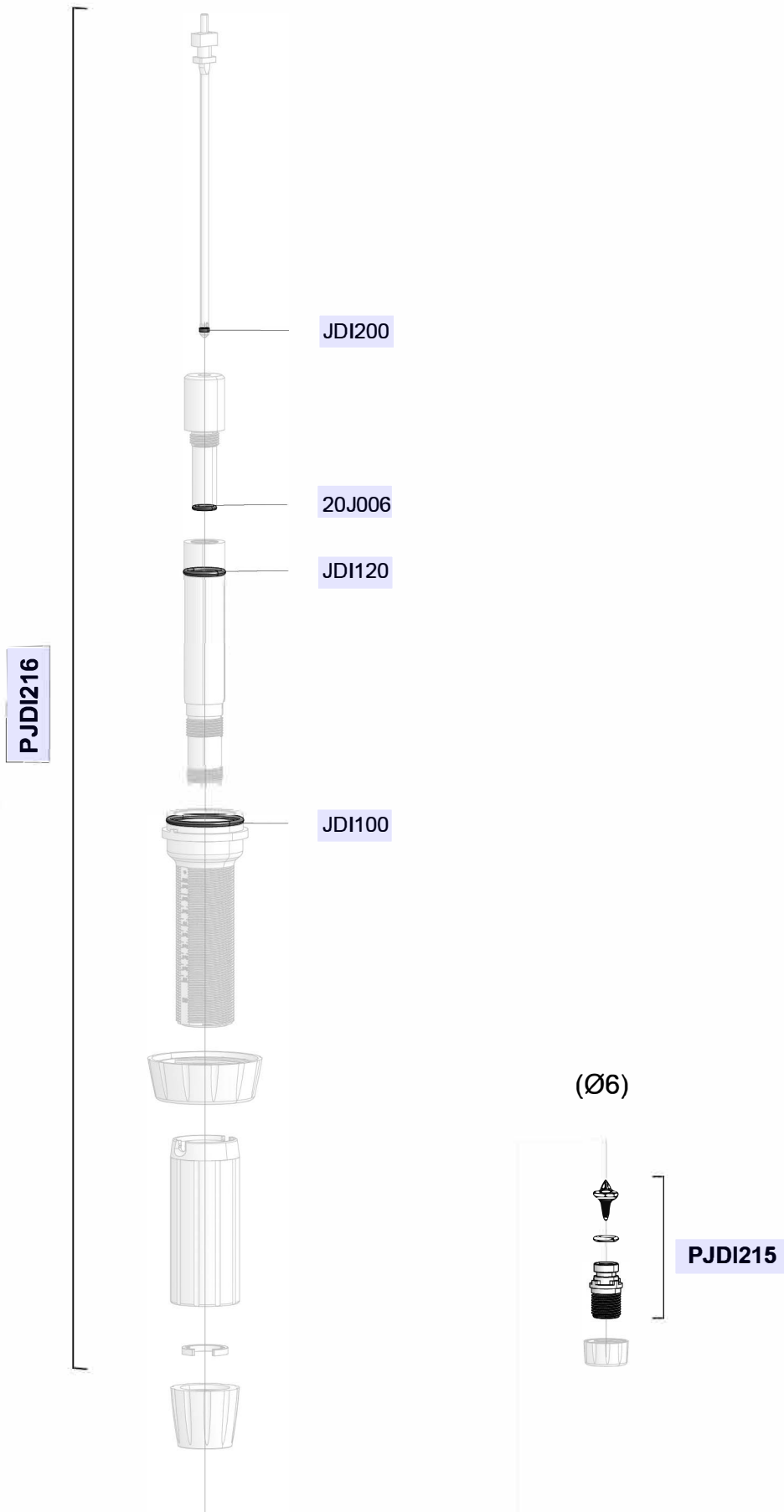
D40MZ3000

40 GPM - 1:3000 - 1:500

9m³/h - 0.03 - 0.2%

4.3 - 116 psi

0.3 - 8 bar



D40MZ3000

40 GPM - 1:3000 - 1:500

9m³/h - 0.03 - 0.2%

4.35 - 116 psi

0.3 - 8 bar

