



DOSATRON®

An Ingersoll Rand Business



D14TMZ3000 - 14 GPM INTERACTIVE SCHEMATICS

UNIT SPECIFICATIONS

- 1:3000 - 1:333
- 4.3 - 85 PSI
- 3/4" NPT Connection

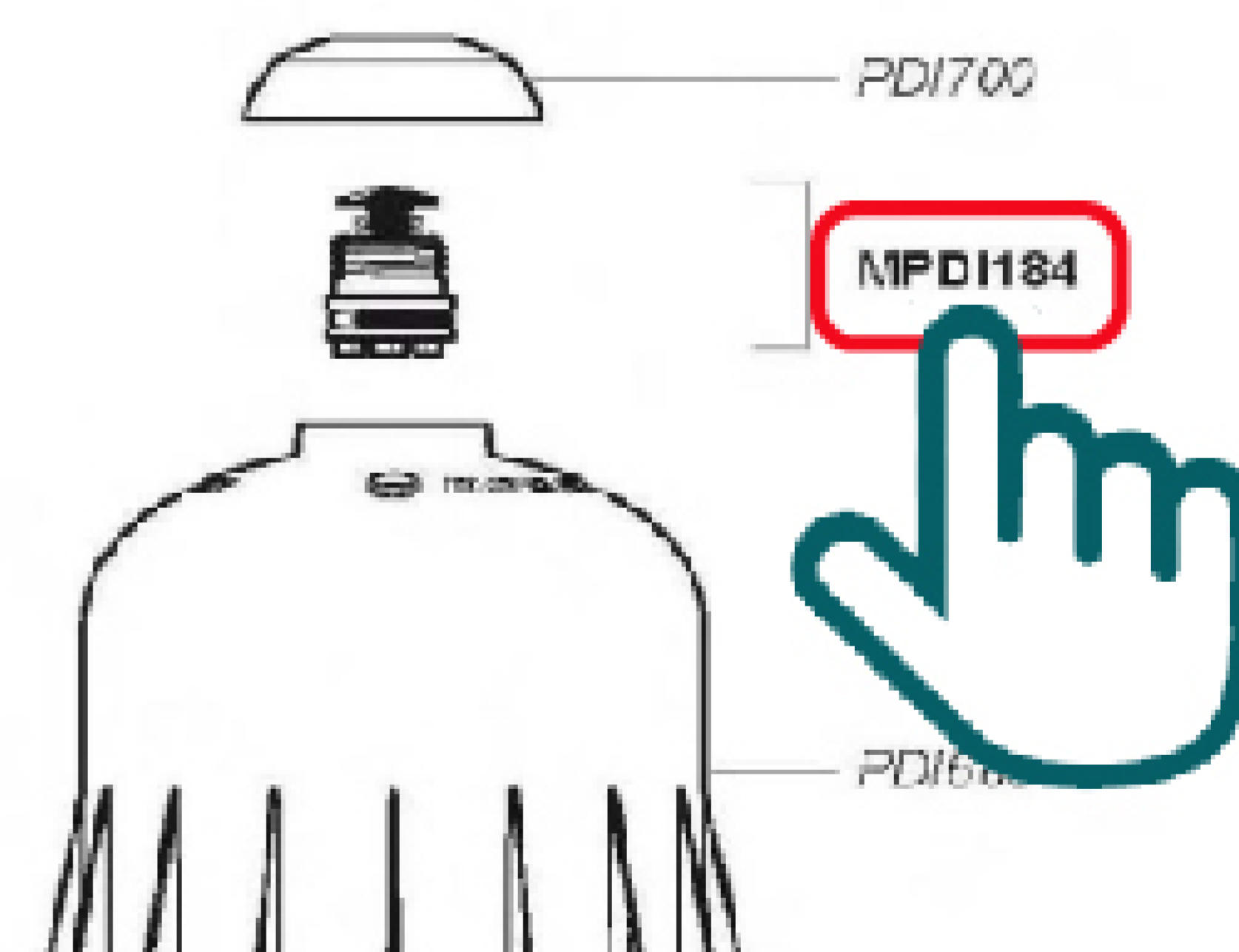
SUGGESTED INSTALLATION

- 200 mesh/80 micron water filter prior to the unit

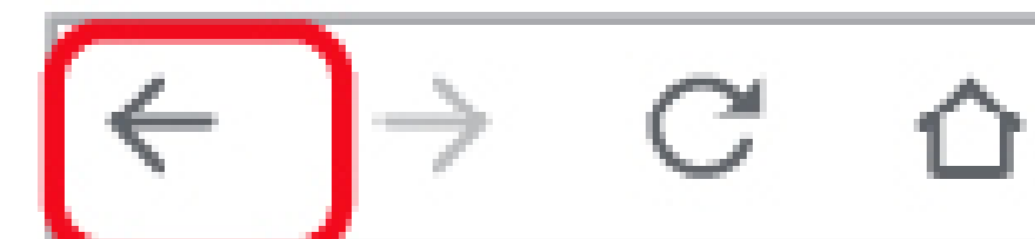
SUGGESTED MAINTENANCE

- Mini-Maintenance Kit
Part #: [PJDI139MINI](#)
For regular maintenance
- Injection Seal Kit
Part #: [PJDI139-1](#)
For yearly maintenance
- Piston Flange Kit
Part #: [PPDI034-1](#)

DOCUMENT INSTRUCTIONS

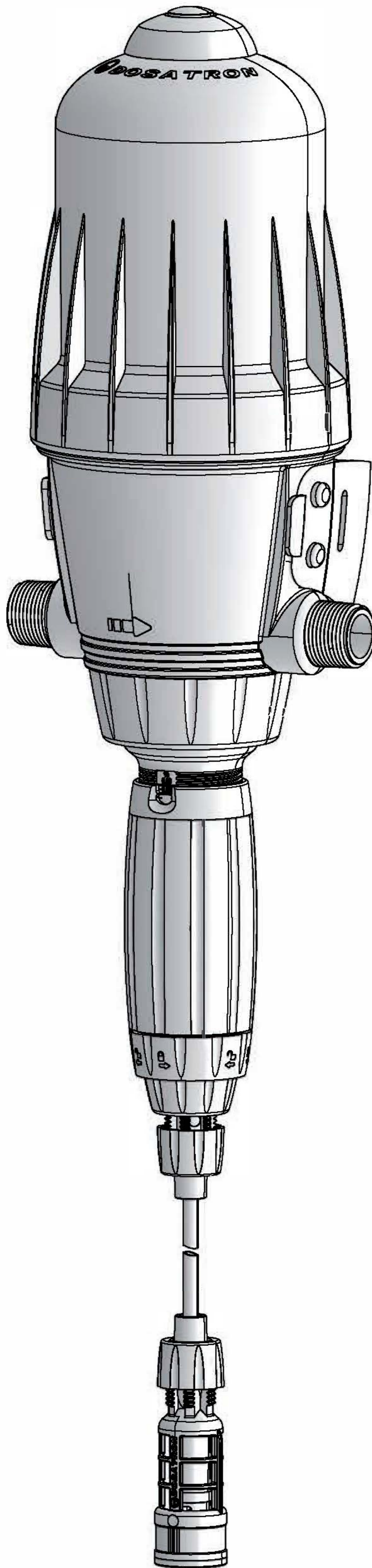


- Click on a part #, to visit item page
- Click arrow back from item page, to return to this document



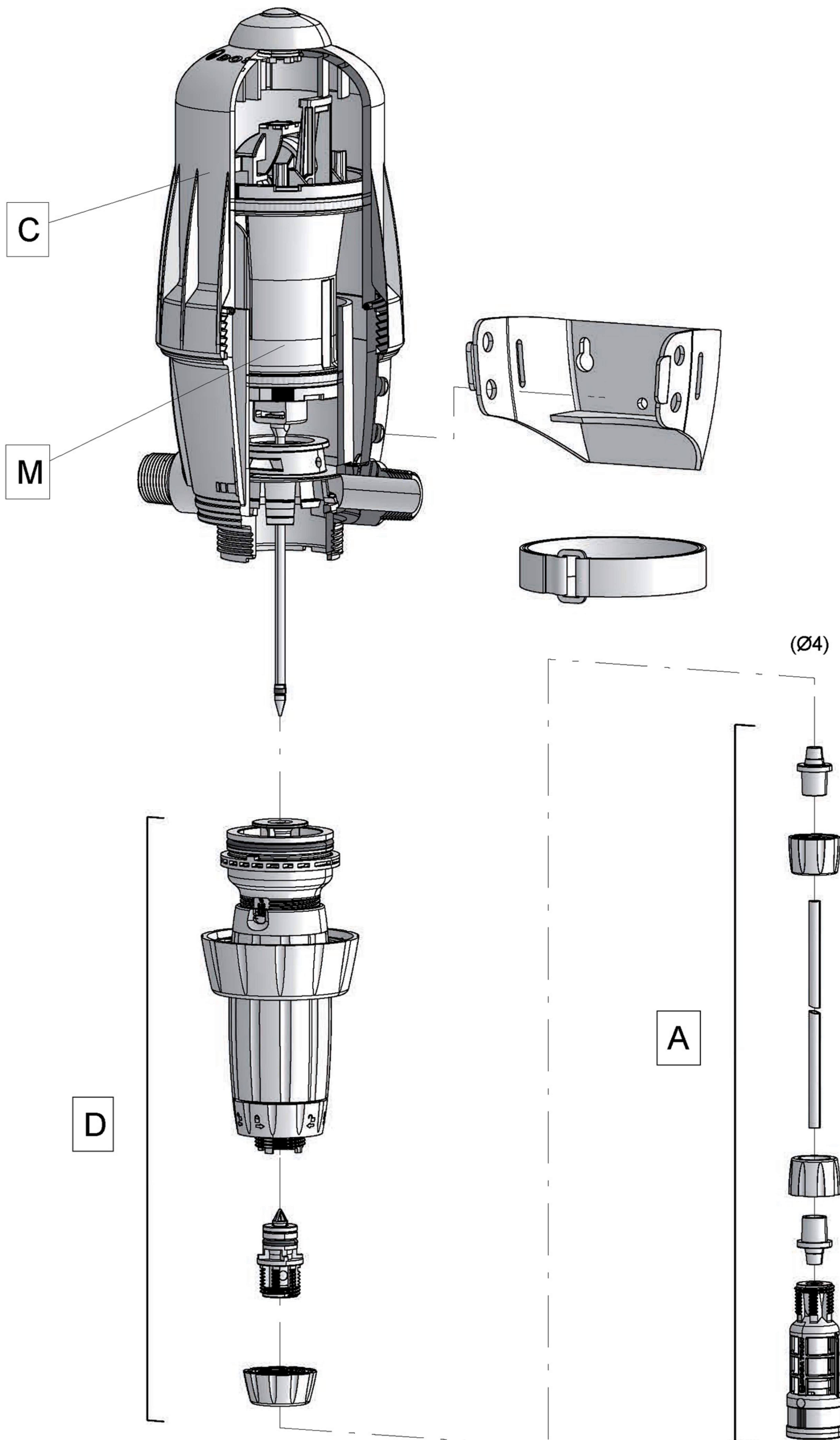
D14TMZ3000

14 GPM - 1:3000 - 1:333
3m³/h - 0.03 - 0.3%
4.3 - 85 psi
0.3 - 6 bar



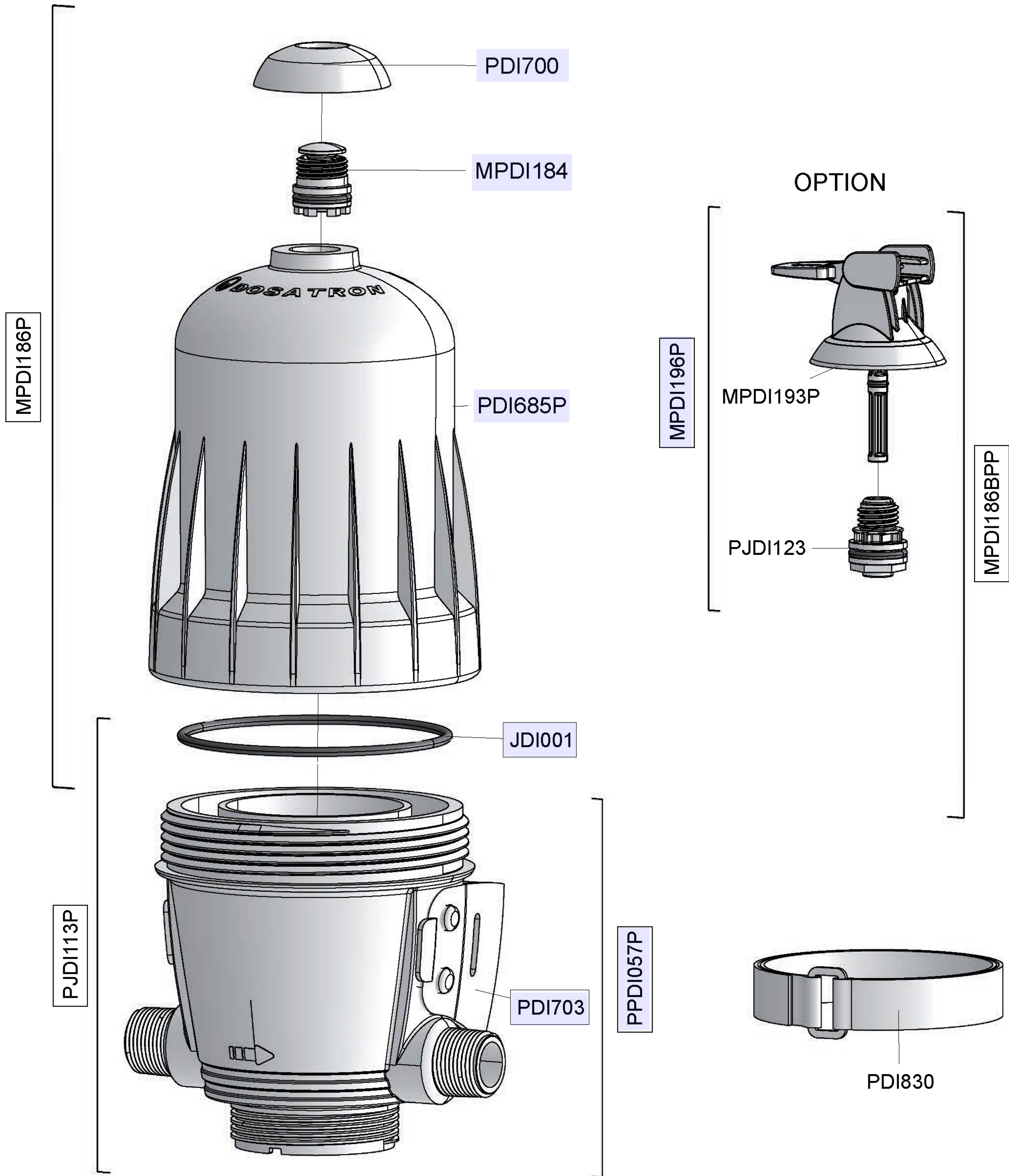
D14TMZ3000

14 GPM - 1:3000 - 1:333
3m³/h - 0.03 - 0.3%
4.3 - 85 psi
0.3 - 6 bar



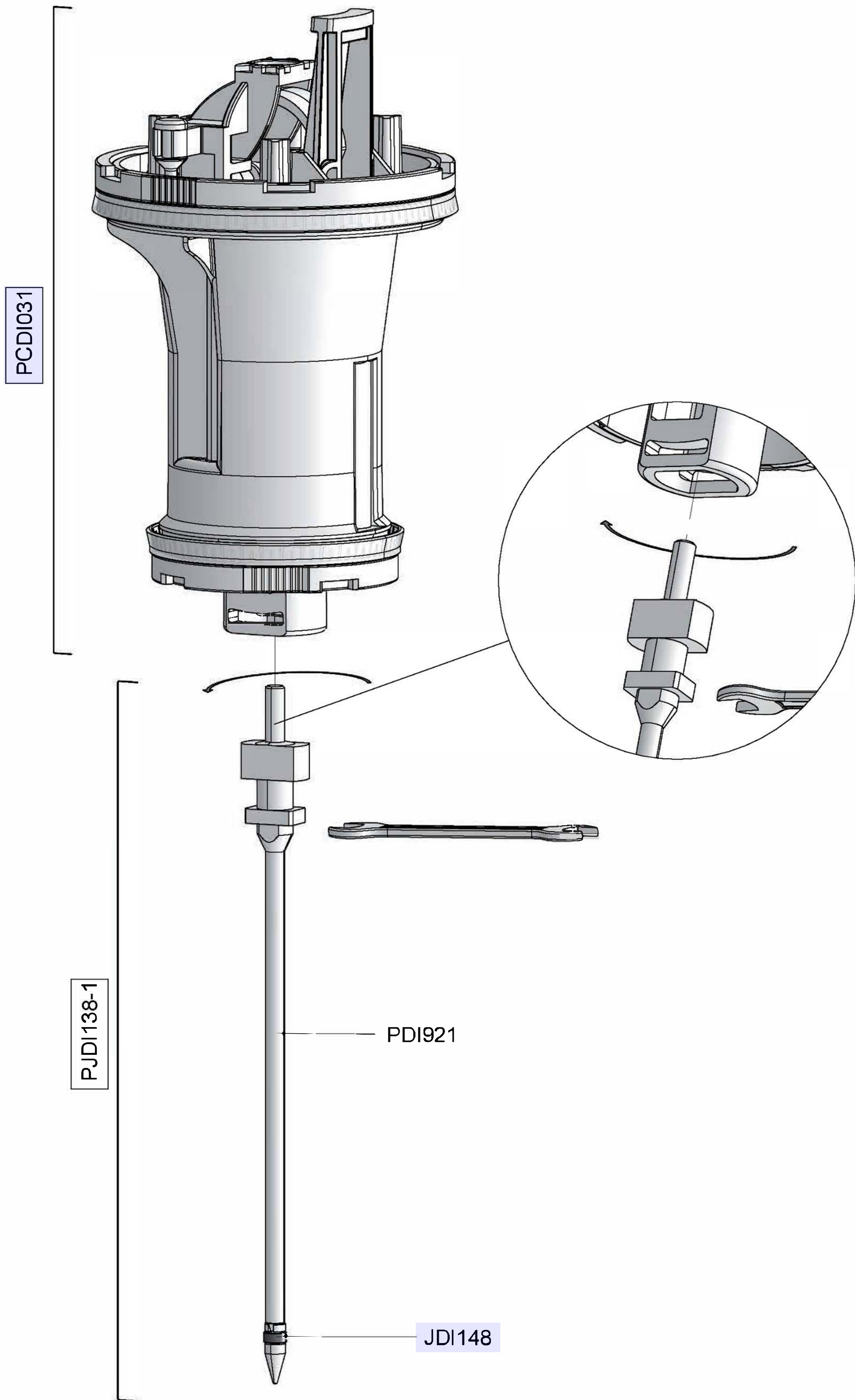
D14TMZ3000

14 GPM - 1:3000 - 1:333
3m³/h - 0.03 - 0.3%
4.3 - 85 psi
0.3 - 6 bar



D14TMZ3000

14 GPM - 1:3000 - 1:333
3m³/h - 0.03 - 0.3%
4.3 - 85 psi
0.3 - 6 bar



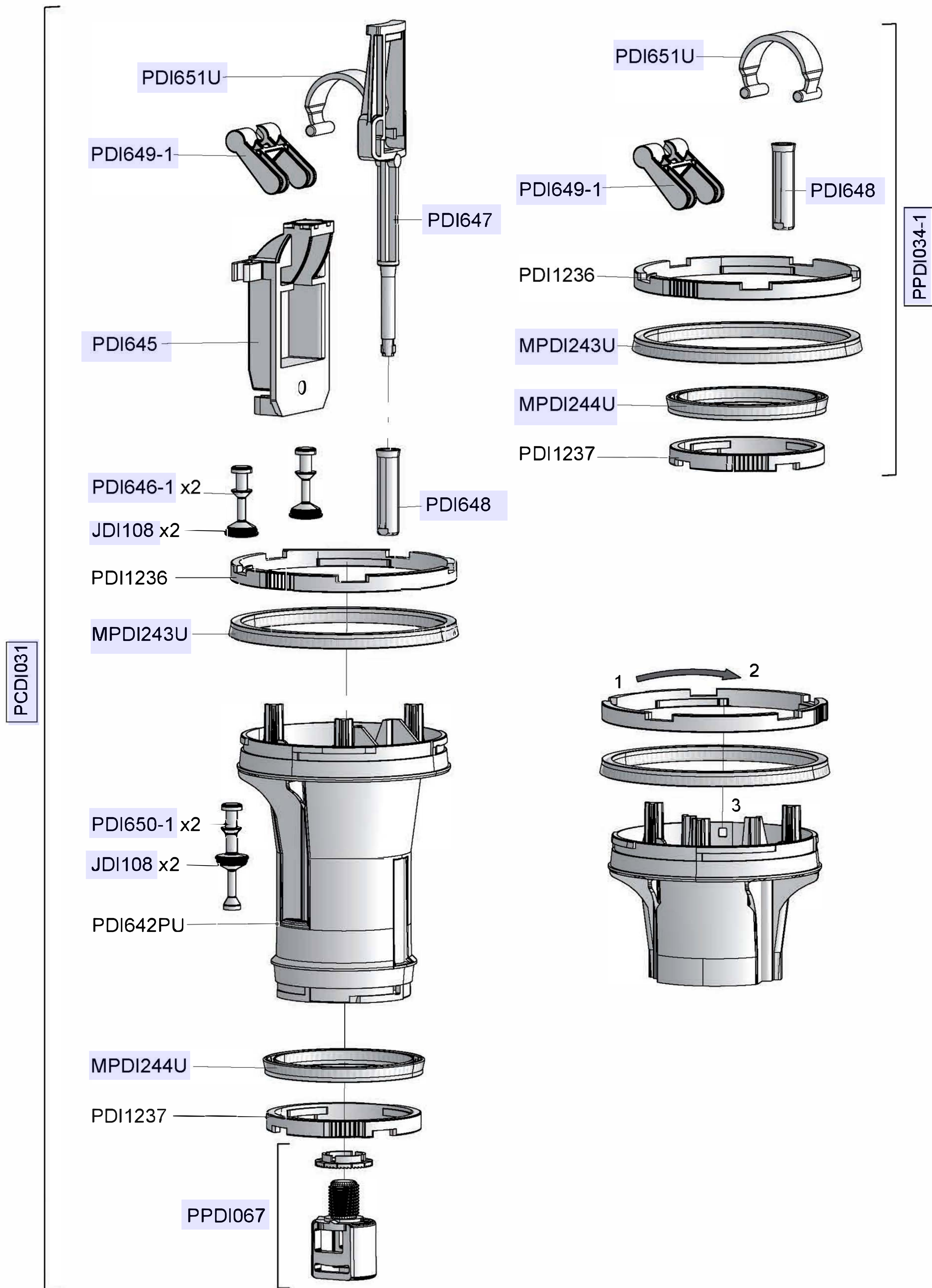
D14TMZ3000

14 GPM - 1:3000 - 1:333

3m³/h - 0.03 - 0.3%

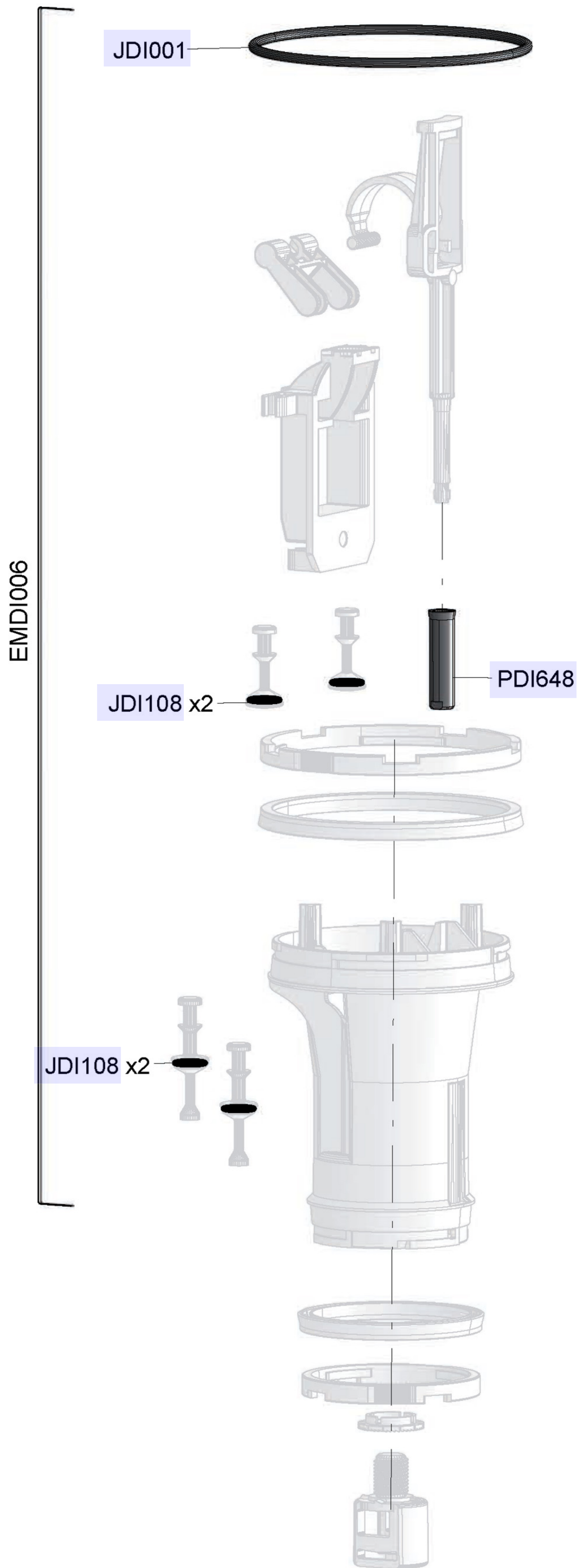
4.3 - 85 psi

0.3 - 6 bar



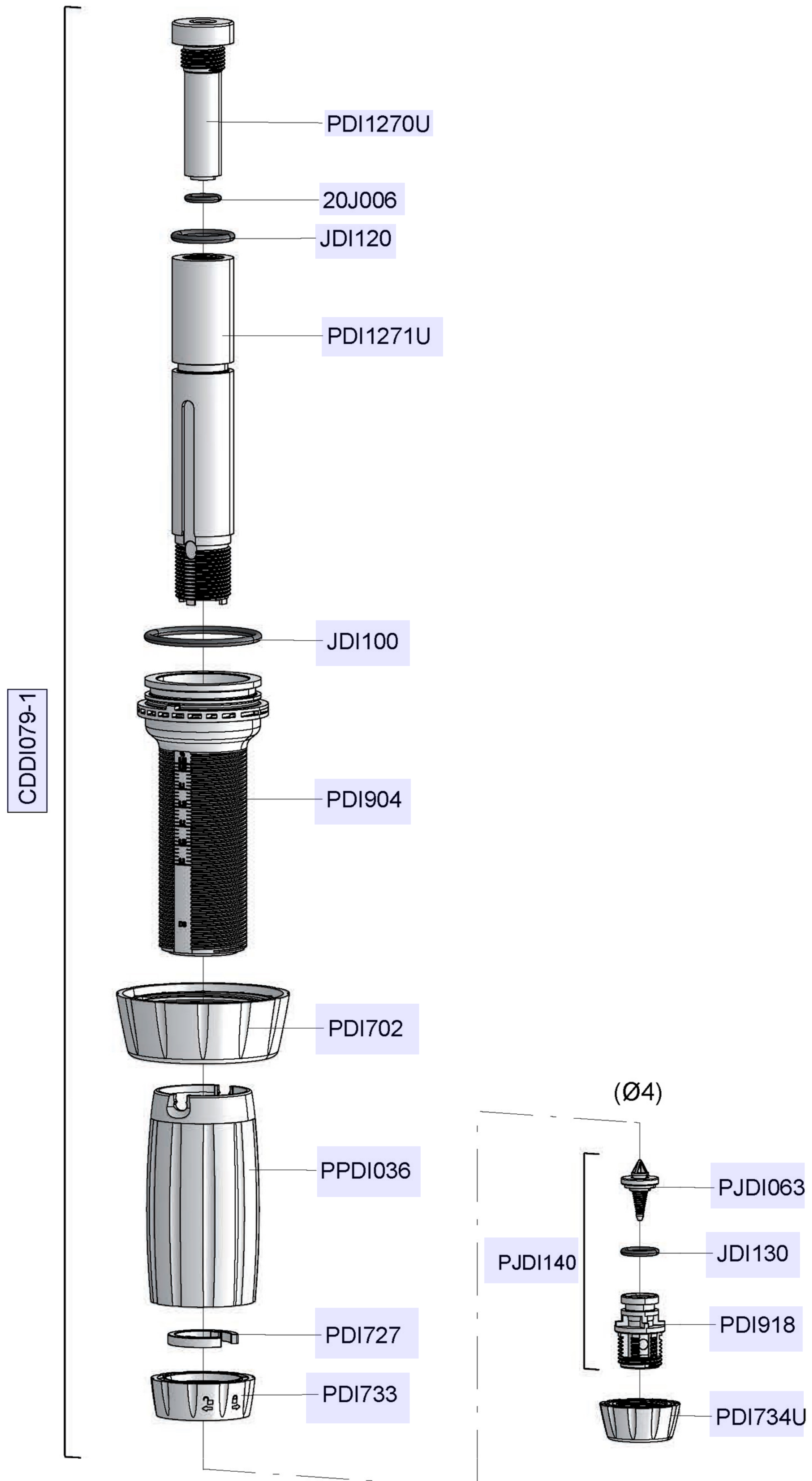
D14TMZ3000

14 GPM - 1:3000 - 1:333
3m³/h - 0.03 - 0.3%
4.3 - 85 psi
0.3 - 6 bar



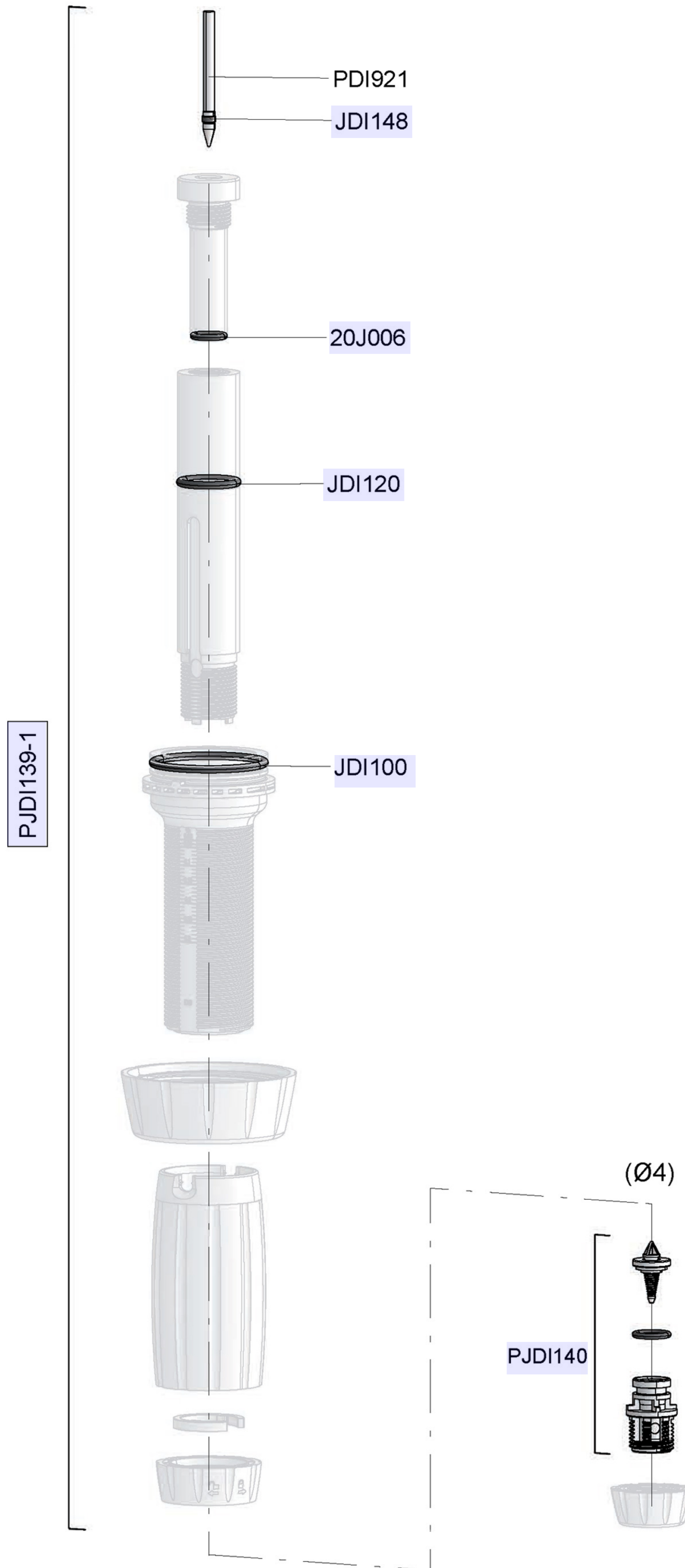
D14TMZ3000

14 GPM - 1:3000 - 1:333
3m³/h - 0.03 - 0.3%
4.3 - 85 psi
0.3 - 6 bar



D14TMZ3000

14 GPM - 1:3000 - 1:333
3m³/h - 0.03 - 0.3%
4.3 - 85 psi
0.3 - 6 bar



D14TMZ3000

14 GPM - 1:3000 - 1:333
3m³/h - 0.03 - 0.3%
4.3 - 85 psi
0.3 - 6 bar

