



DOSATRON®

WATER POWERED DOSING TECHNOLOGY



D25RE5 - 11 GPM INTERACTIVE SCHEMATICS

UNIT SPECIFICATIONS

- 1:100 - 1:20
- 4.3 - 85 PSI
- 3/4" NPT Connection

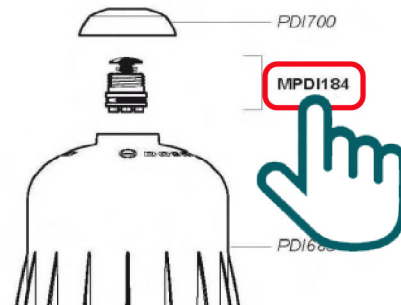
SUGGESTED INSTALLATION

- 200 mesh/80 micron water filter prior to the unit
- One-way check valve down-stream from the unit for water hammer protection

SUGGESTED MAINTENANCE

- Injection Seal Kit
Part #: [PJ119](#)
For yearly maintenance

DOCUMENT INSTRUCTIONS



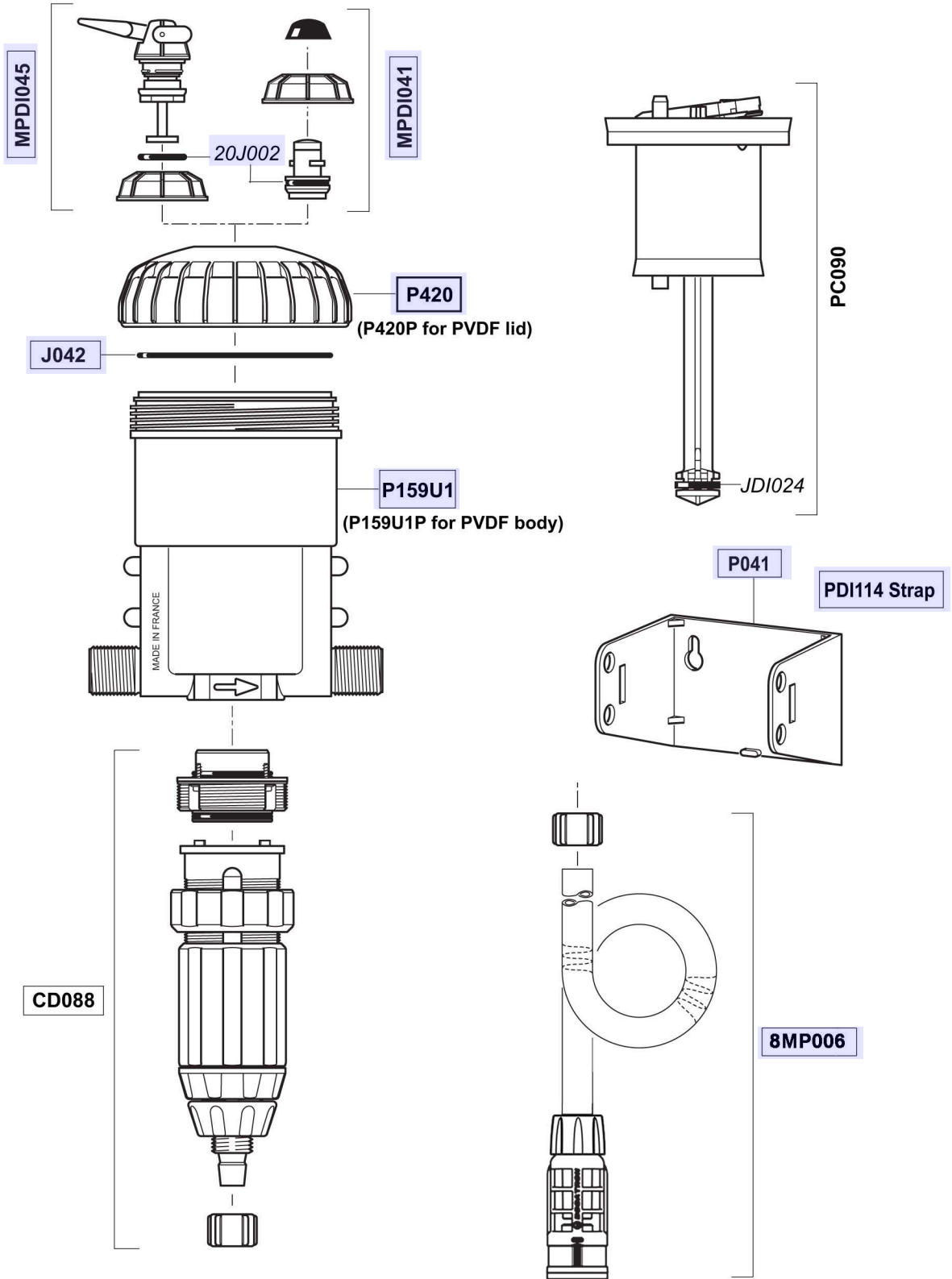
- Click on a part #, to visit item page
- Click arrow back from item page, to return to this document



D25RE5

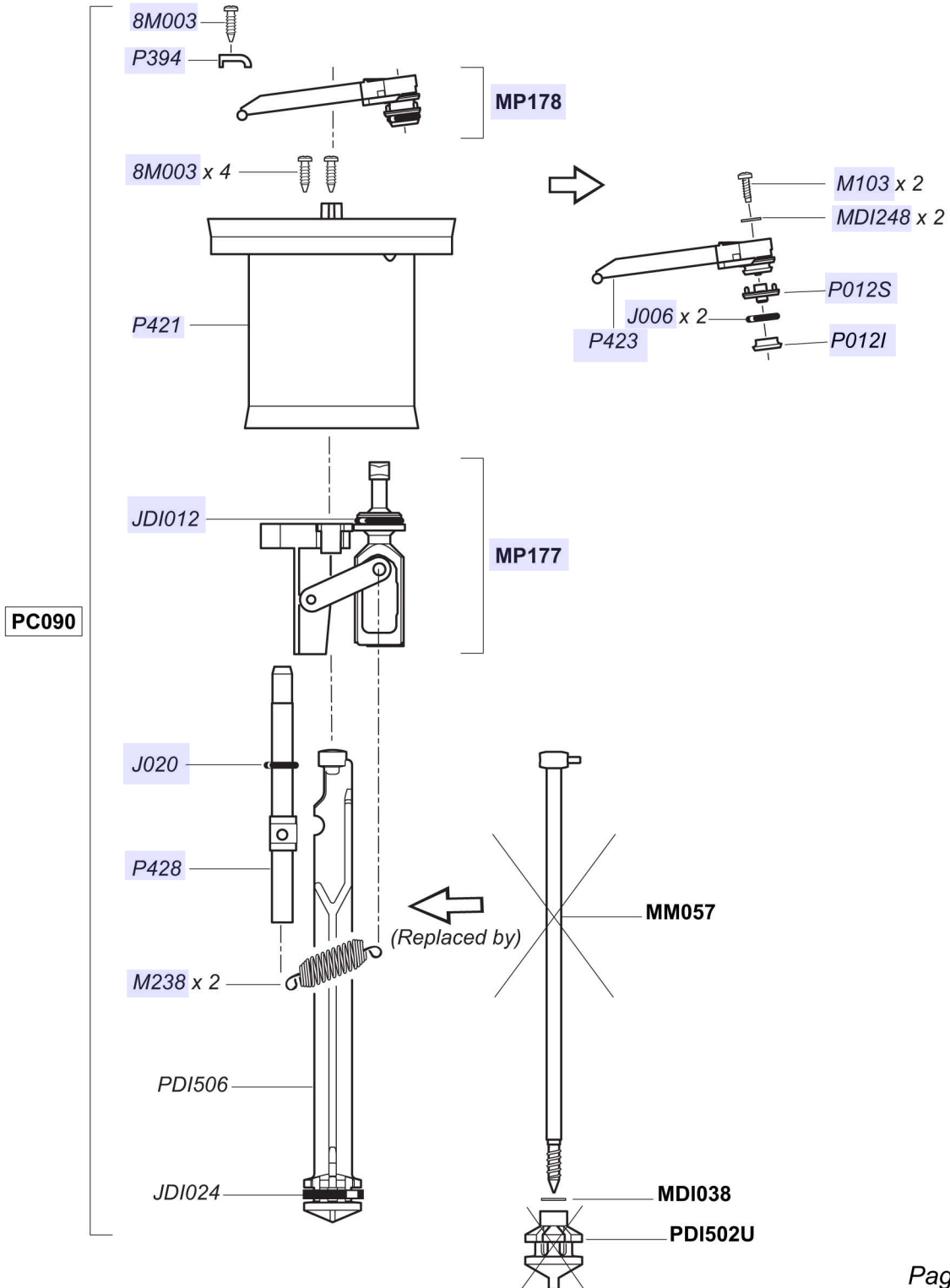
11/03

11 GPM - 1:100 - 1:20
4.3 - 85 psi



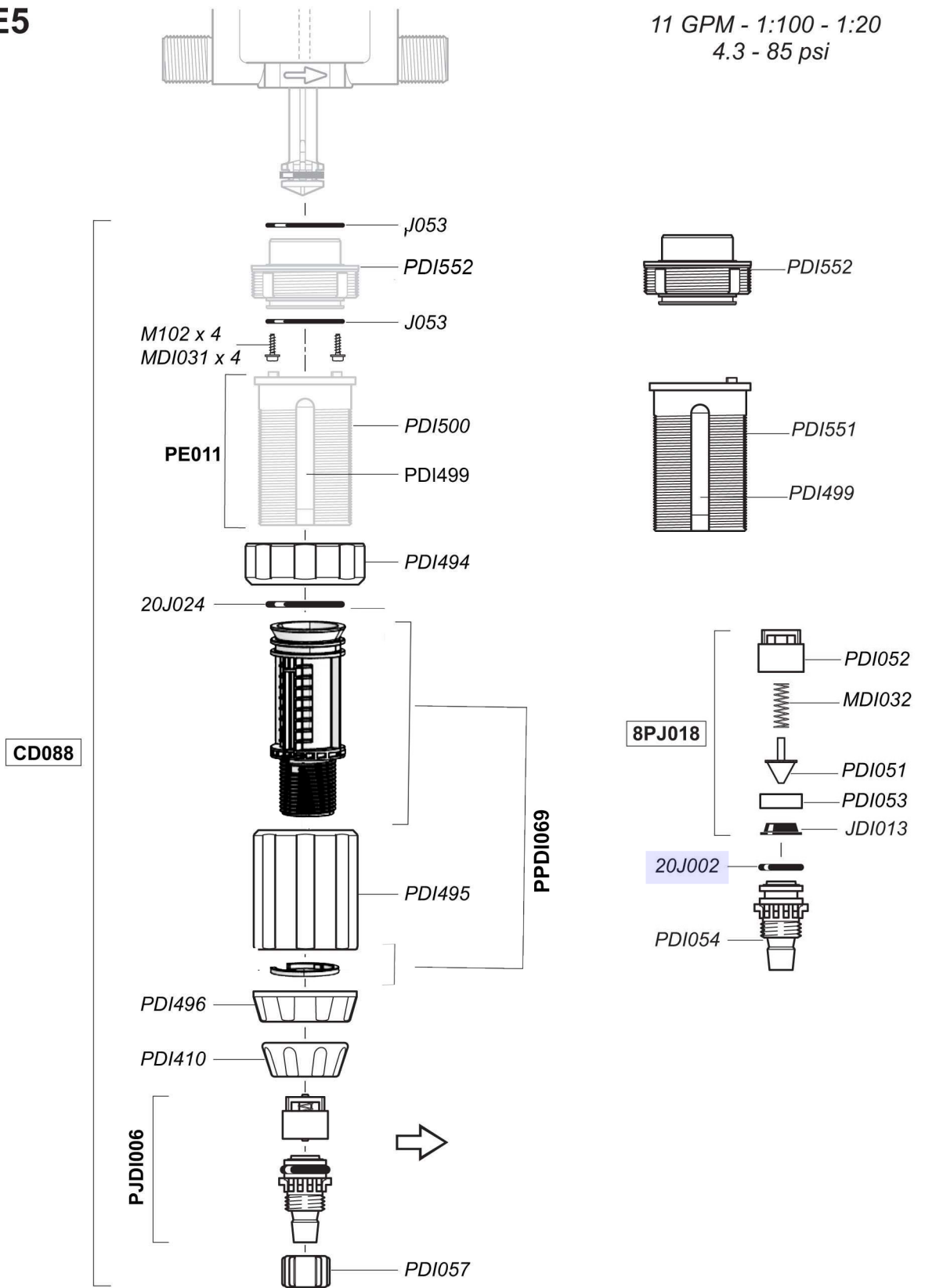
D25RE5

11 GPM - 1:100 - 1:20
4.3 - 85 psi



D25RE5

11 GPM - 1:100 - 1:20
4.3 - 85 psi



D25RE5

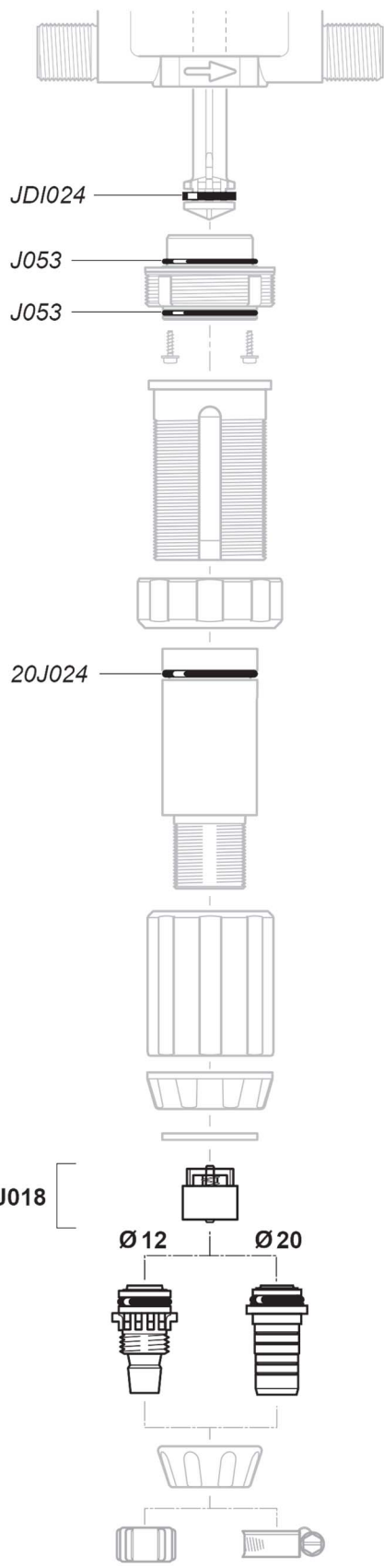
2.5 m³/h - 1 - 5%
11 GPM - 1:100 - 1:20
0.3 - 6 bar
4.3 - 85 psi

PJ119 (Ø12)
PJ119V (Ø20)

PJD1006 (Ø12)
PJD1007 (Ø20)

8PJ018

Ø 12 Ø 20



D25RE5/1005/D

D

D25RE5

11 GPM - 1:100 - 1:20
4.3 - 85 psi

