



An Ingersoll Rand Business



# D132MZ30000 - 132 GPM INTERACTIVE SCHEMATICS

## UNIT SPECIFICATIONS

- 1:30,000 - 1:3000
- 7 - 87 PSI
- 3" NPT Connection

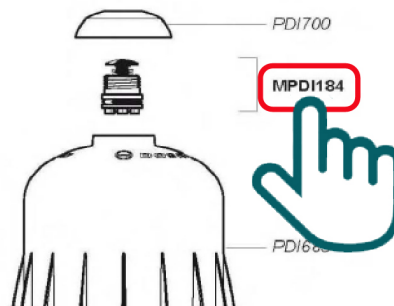
## SUGGESTED INSTALLATION

- 200 mesh/80 micron water filter prior to the unit

## SUGGESTED MAINTENANCE

- Mini-Maintenance Kit  
Part #: [PJDI139MINI](#)  
For regular maintenance
- Injection Seal Kit  
Part #: [PJDI139](#)  
For yearly maintenance
- Rebuild Kit  
Part #: [MKD14MZ3000](#)  
Extends the life of your unit

## DOCUMENT INSTRUCTIONS

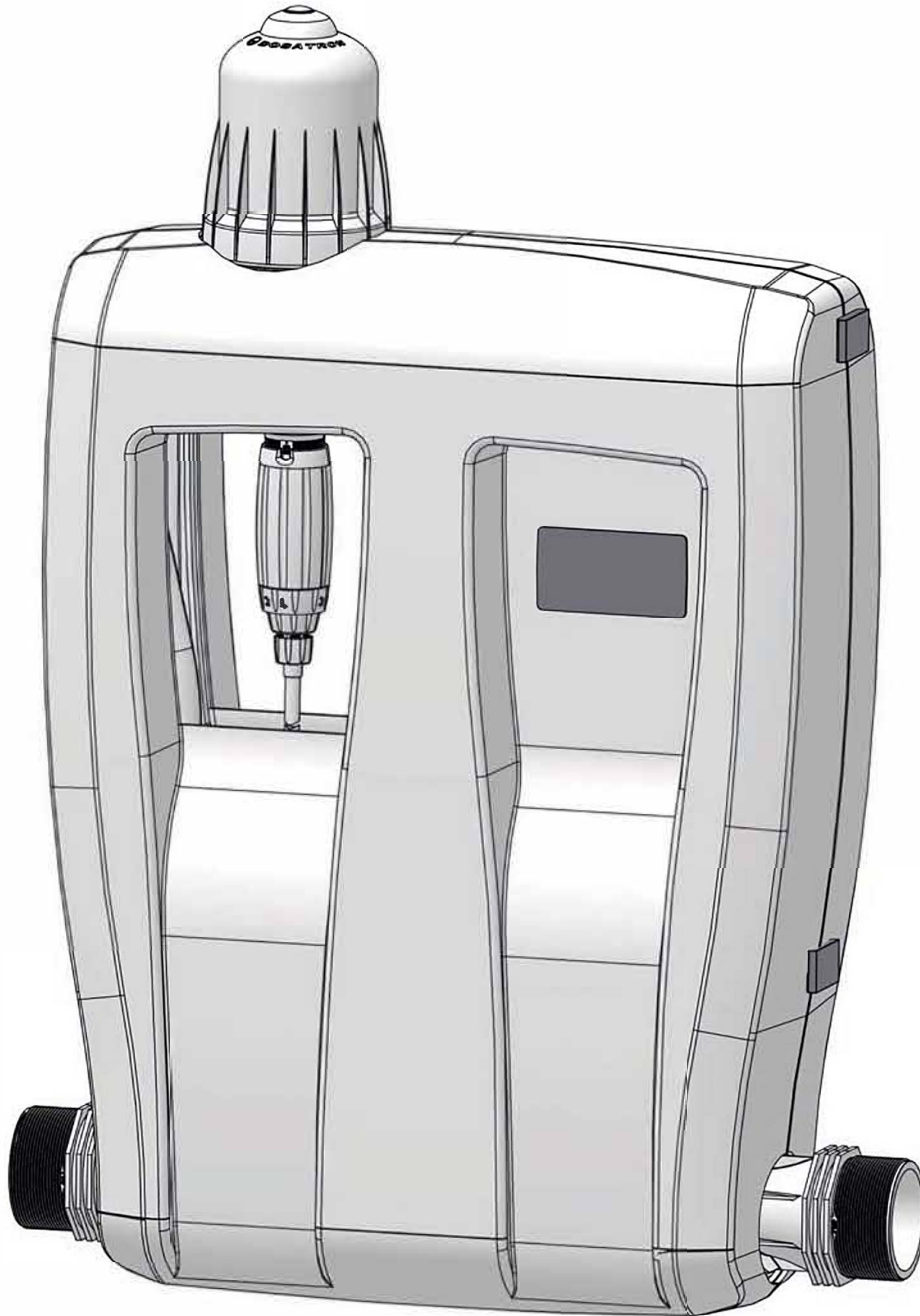


- Click on a part #, to visit item page
- Click arrow back from item page, to return to this document



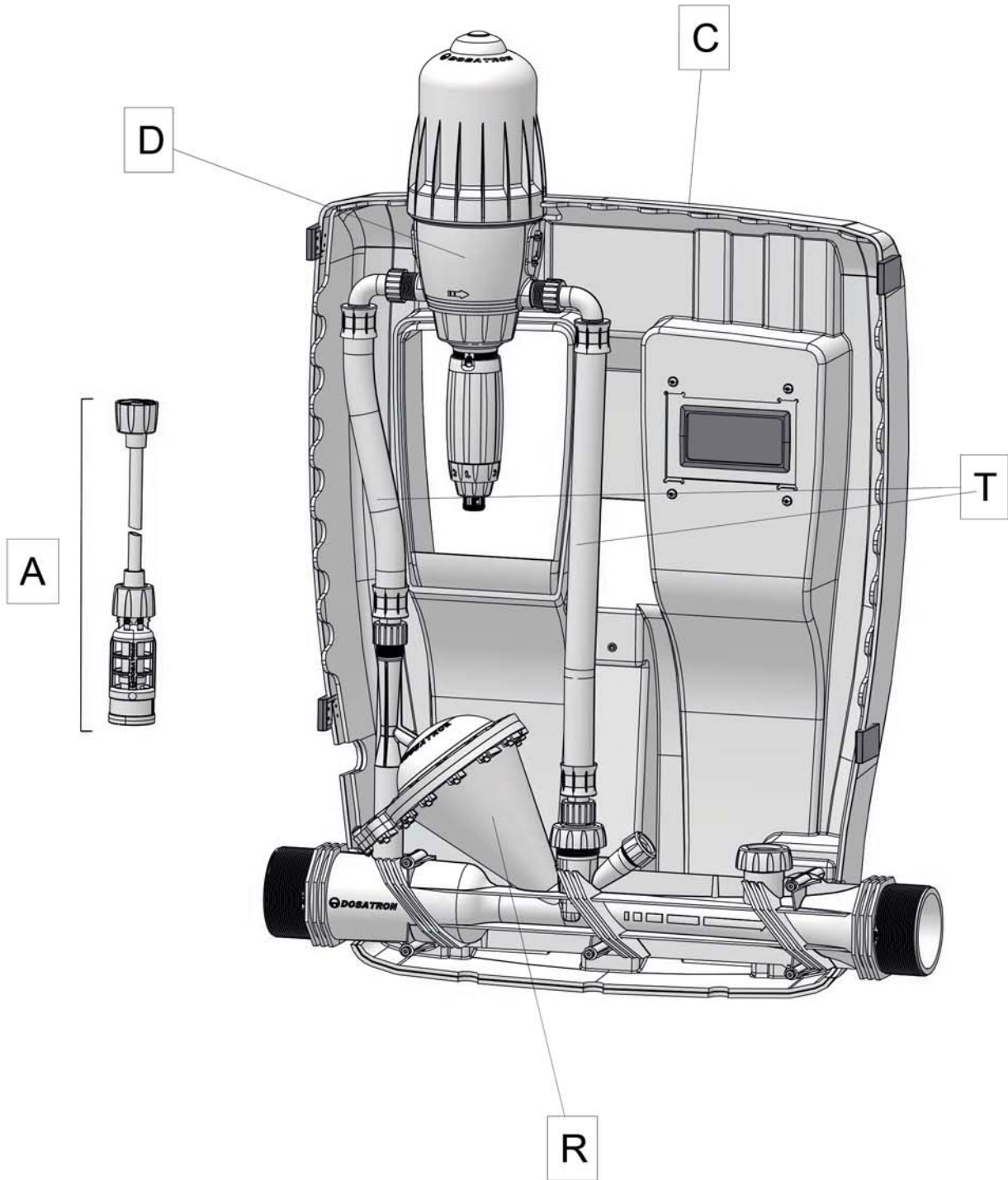
# D132MZ30000

132 GPM - 1:30,000 - 1:3,000  
0.003% - 0.03%  
7 - 87 PSI  
0.5 - 6 bar



# D132MZ30000

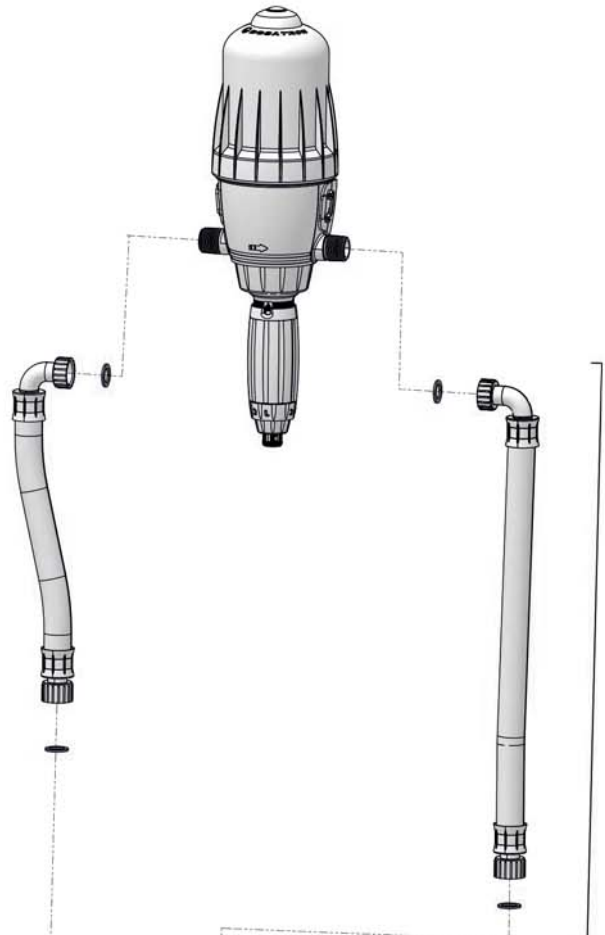
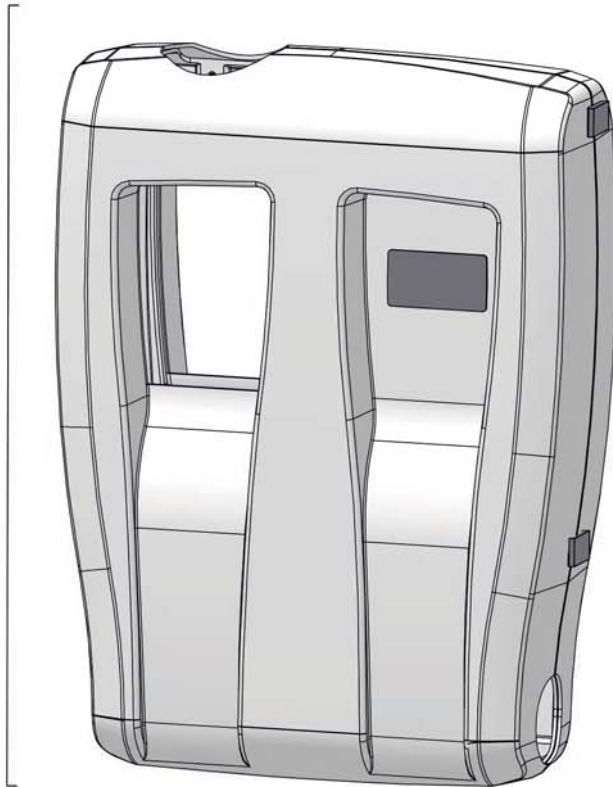
132 GPM - 1:30,000 - 1:3,000  
0.003% - 0.03%  
7 - 87 PSI  
0.5 - 6 bar



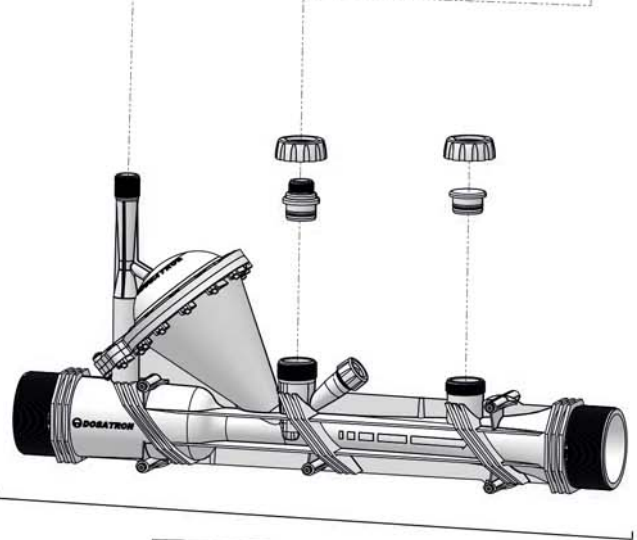
# D132MZ30000

132 GPM - 1:30,000 - 1:3,000  
0.003% - 0.03%  
7 - 87 PSI  
0.5 - 6 bar

PJDI176



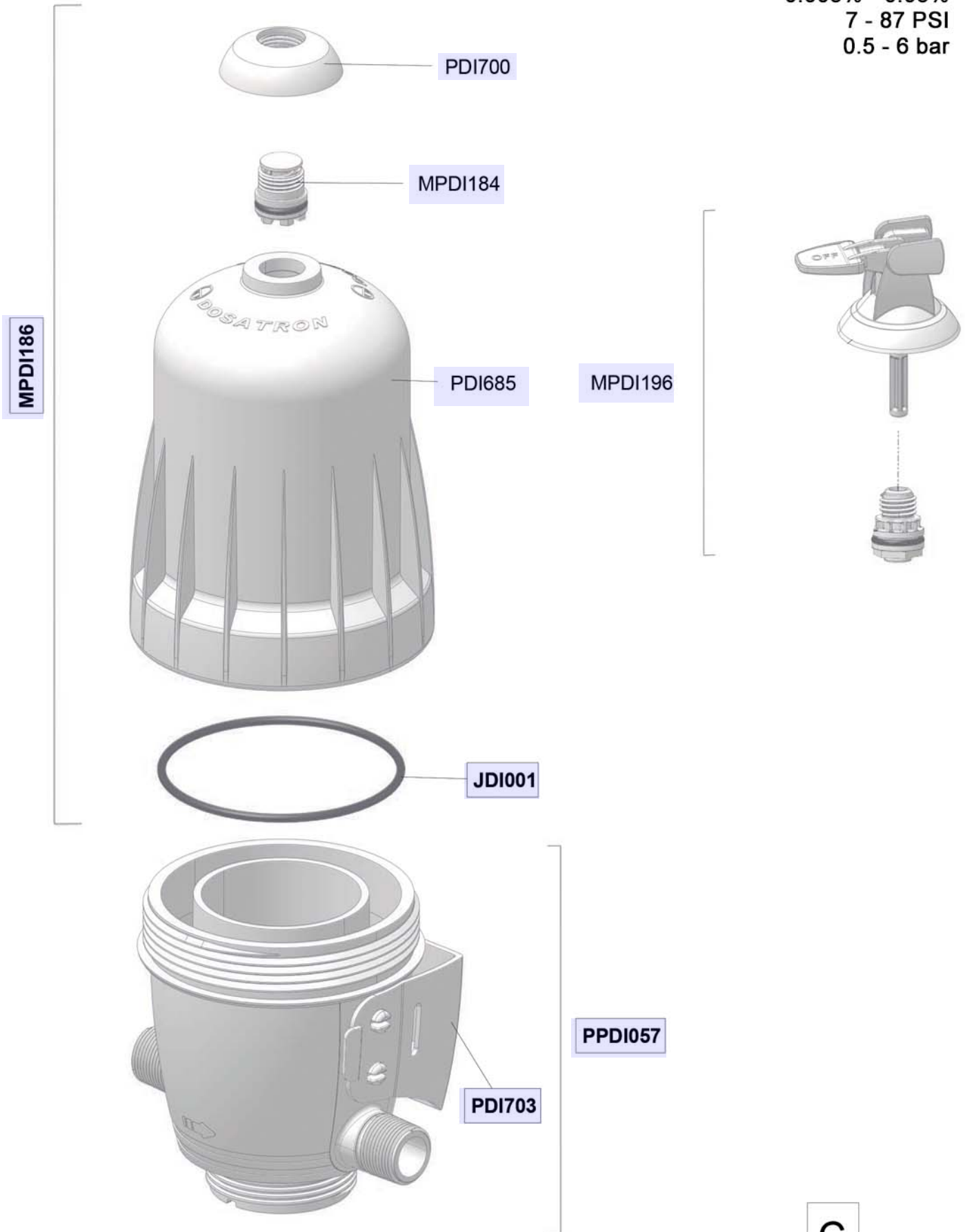
PJDI182



PJDI177NPT

# D132MZ30000

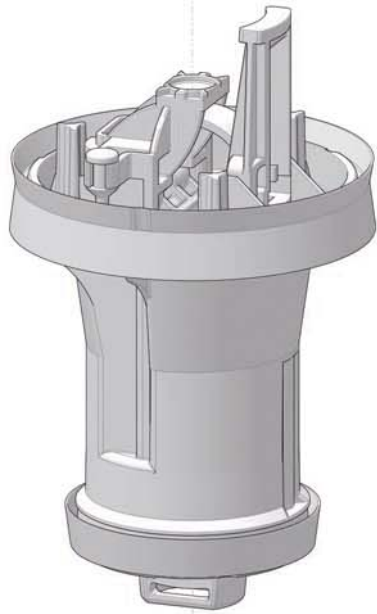
132 GPM - 1:30,000 - 1:3,000  
0.003% - 0.03%  
7 - 87 PSI  
0.5 - 6 bar



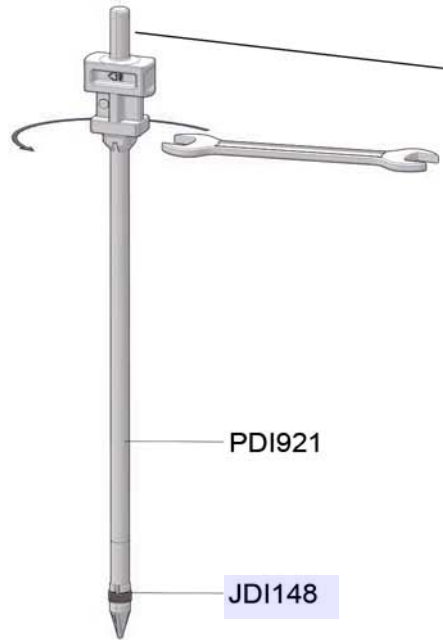
D132MZ30000

132 GPM - 1:30,000 - 1:3,000  
0.003% - 0.03%  
7 - 87 PSI  
0.5 - 6 bar

PCDI030



PJDI138



PDI921

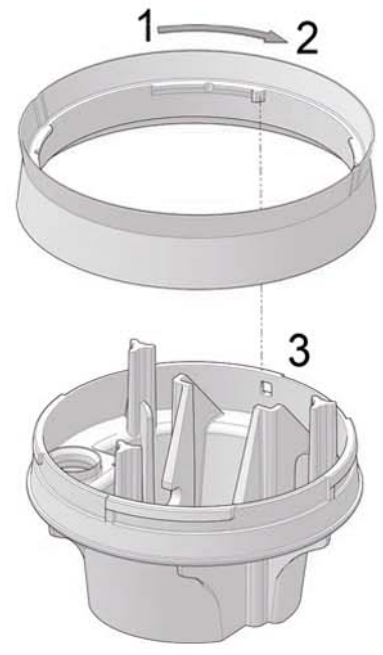
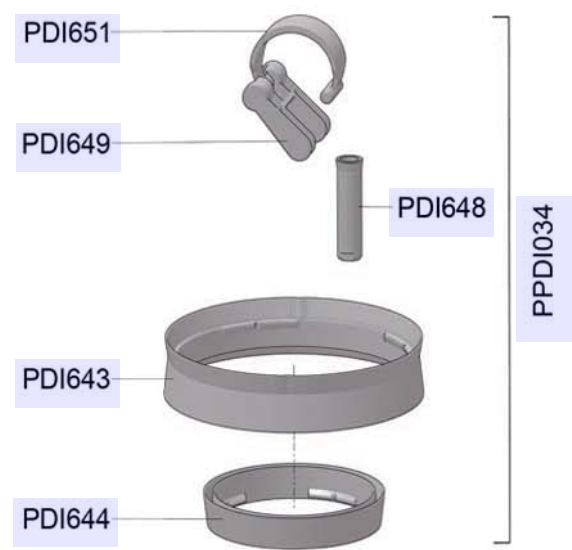
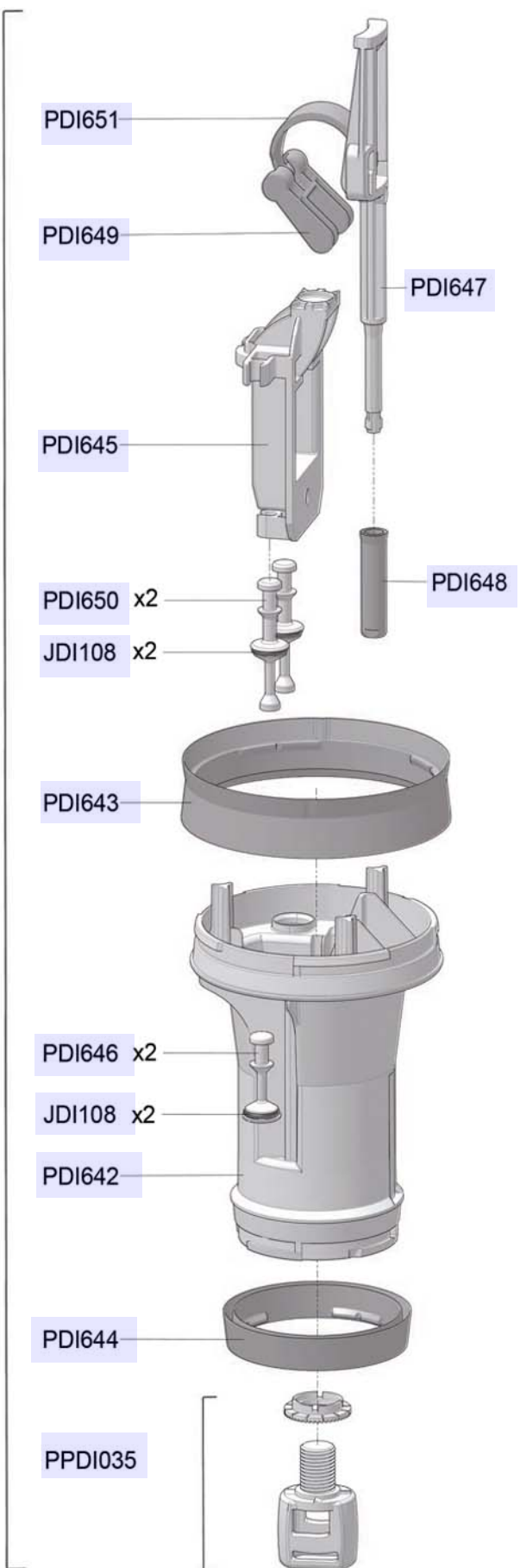
JDI148



# D132MZ30000

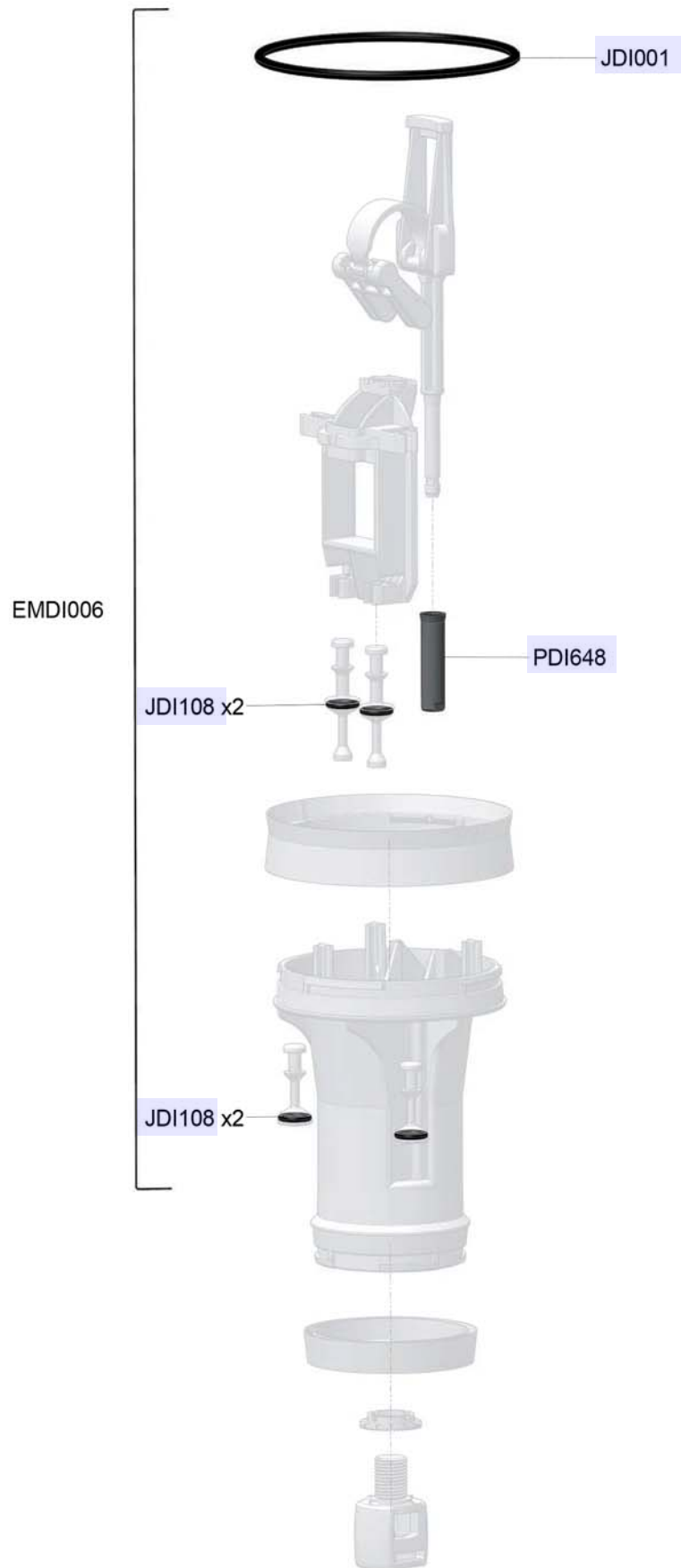
132 GPM - 1:30,000 - 1:3,000  
 0.003% - 0.03%  
 7 - 87 PSI  
 0.5 - 6 bar

PCDI030



# D132MZ30000

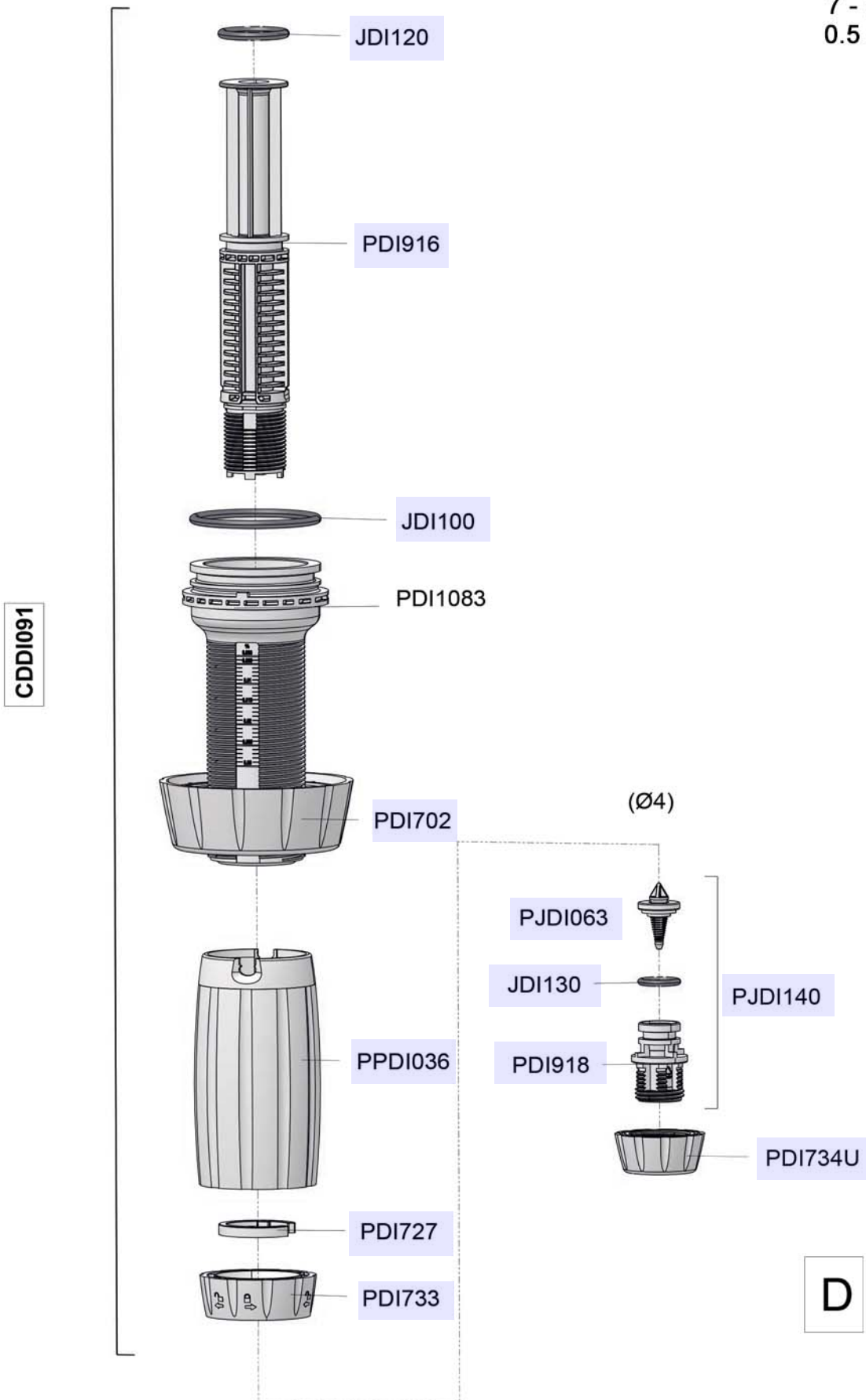
132 GPM - 1:30,000 - 1:3,000  
0.003% - 0.03%  
7 - 87 PSI  
0.5 - 6 bar





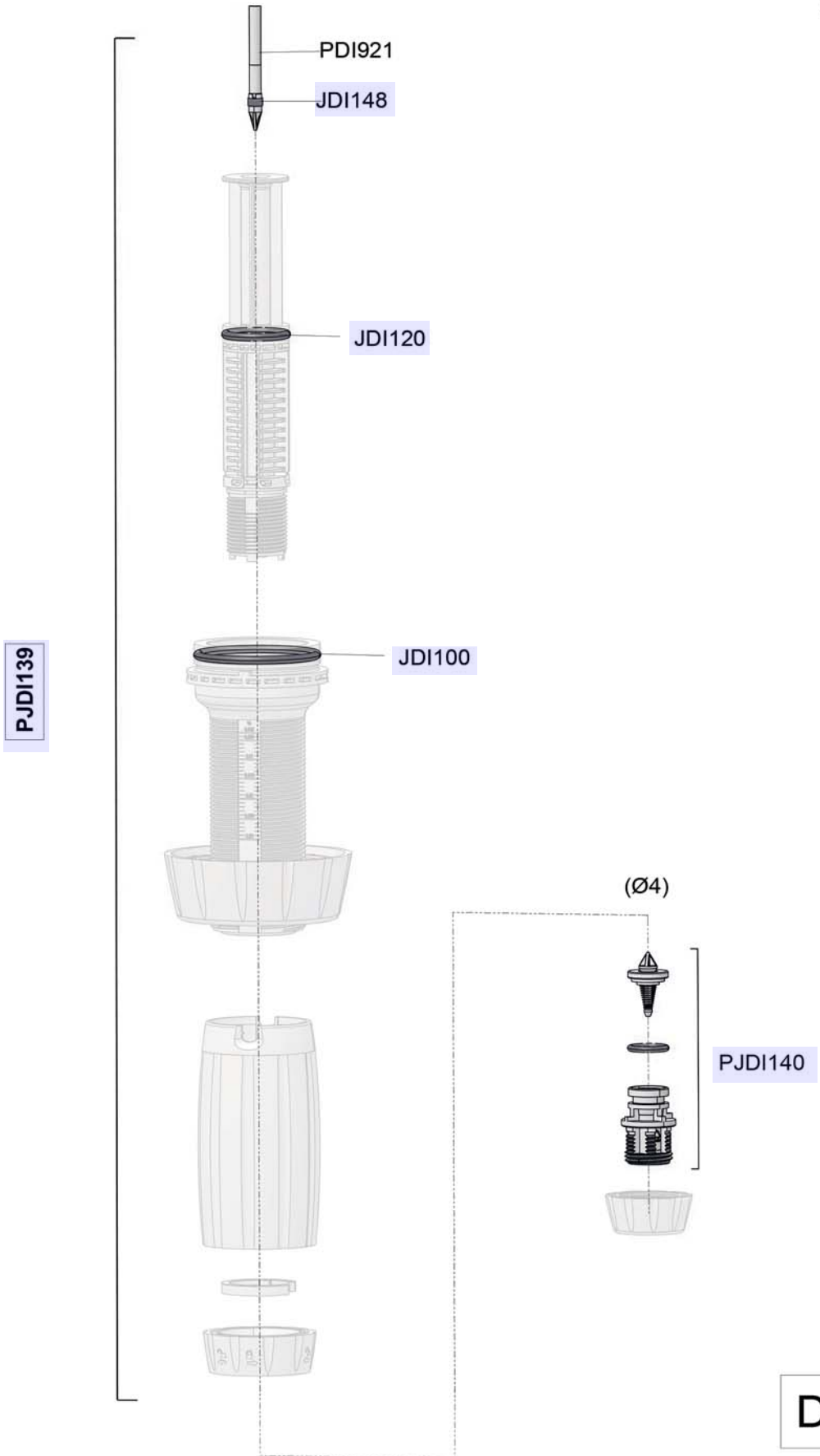
# D132MZ30000

132 GPM - 1:30,000 - 1:3,000  
0.003% - 0.03%  
7 - 87 PSI  
0.5 - 6 bar



# D132MZ30000

132 GPM - 1:30,000 - 1:3,000  
0.003% - 0.03%  
7 - 87 PSI  
0.5 - 6 bar



D

# D132MZ30000

132 GPM - 1:30,000 - 1:3,000  
0.003% - 0.03%  
7 - 87 PSI  
0.5 - 6 bar

(Ø4)

