



SCHEMATICS

Dosatron Liquid Dispenser **Model # DI16 – 11 GPM**

1:500 – 1:64

4.3 – 85 PSI

$\frac{3}{4}$ " NPT Connection

NOTE: Not all parts are available for discontinued models, and parts are limited. Please call Dosatron at 1-800-523-8499 to confirm.

Suggested Installation:

200 mesh/80 micron water filter prior to unit

One-way check valve downstream from unit for water hammer protection

Suggested Maintenance Interval:

Replace injection seals every 12 months

Replace Maintenance Kit components every 3 to 4 years

(Kit references available on Page 1)

DOSATRON SALES & SERVICE - NORTH & CENTRAL AMERICA

Dosatron International, Inc.

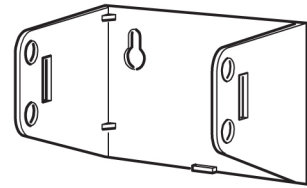
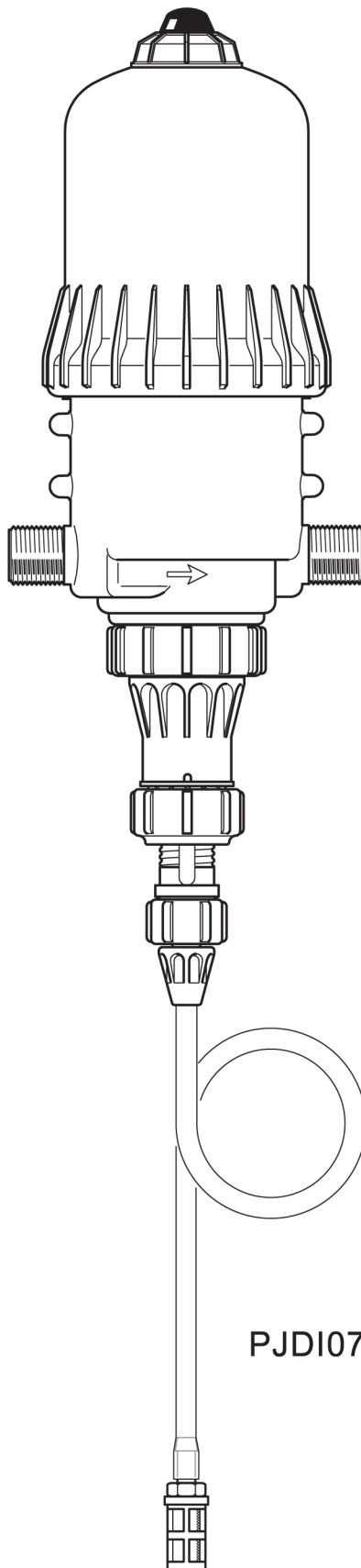
Phone: 727-443-5404 Service: (800) 523-8499

Fax: 727-447-0591

www.dosatronUSA.com

DI16

2.5 m³/h - 0.2 - 1.6%
11 GPM - 1:500 - 1:64
0.3 - 6 bar
4.3 - 85 psi

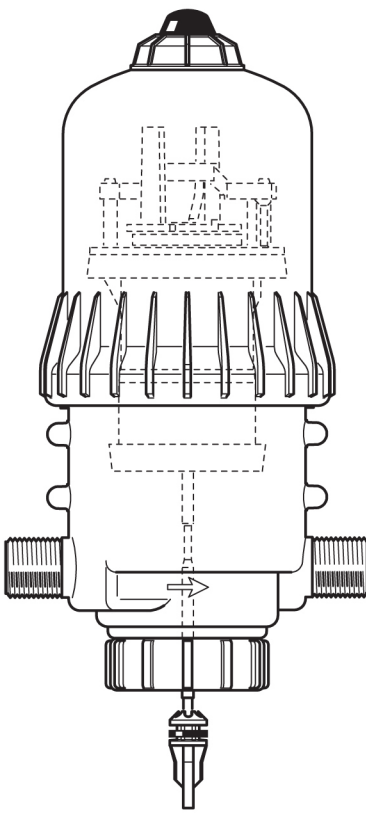


PJDI075 - Injection Seal Kit

DI16

2.5 m³/h - 0.2 - 1.6%
11 GPM - 1:500 - 1:64
0.3 - 6 bar
4.3 - 85 psi

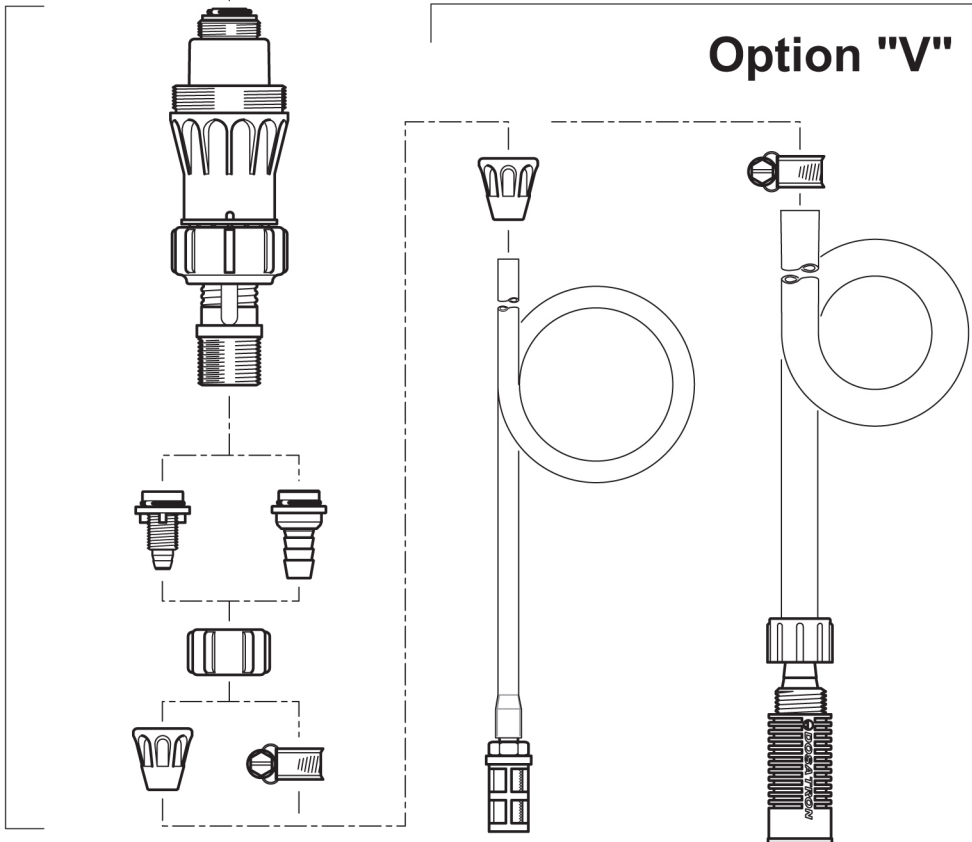
C+M



A

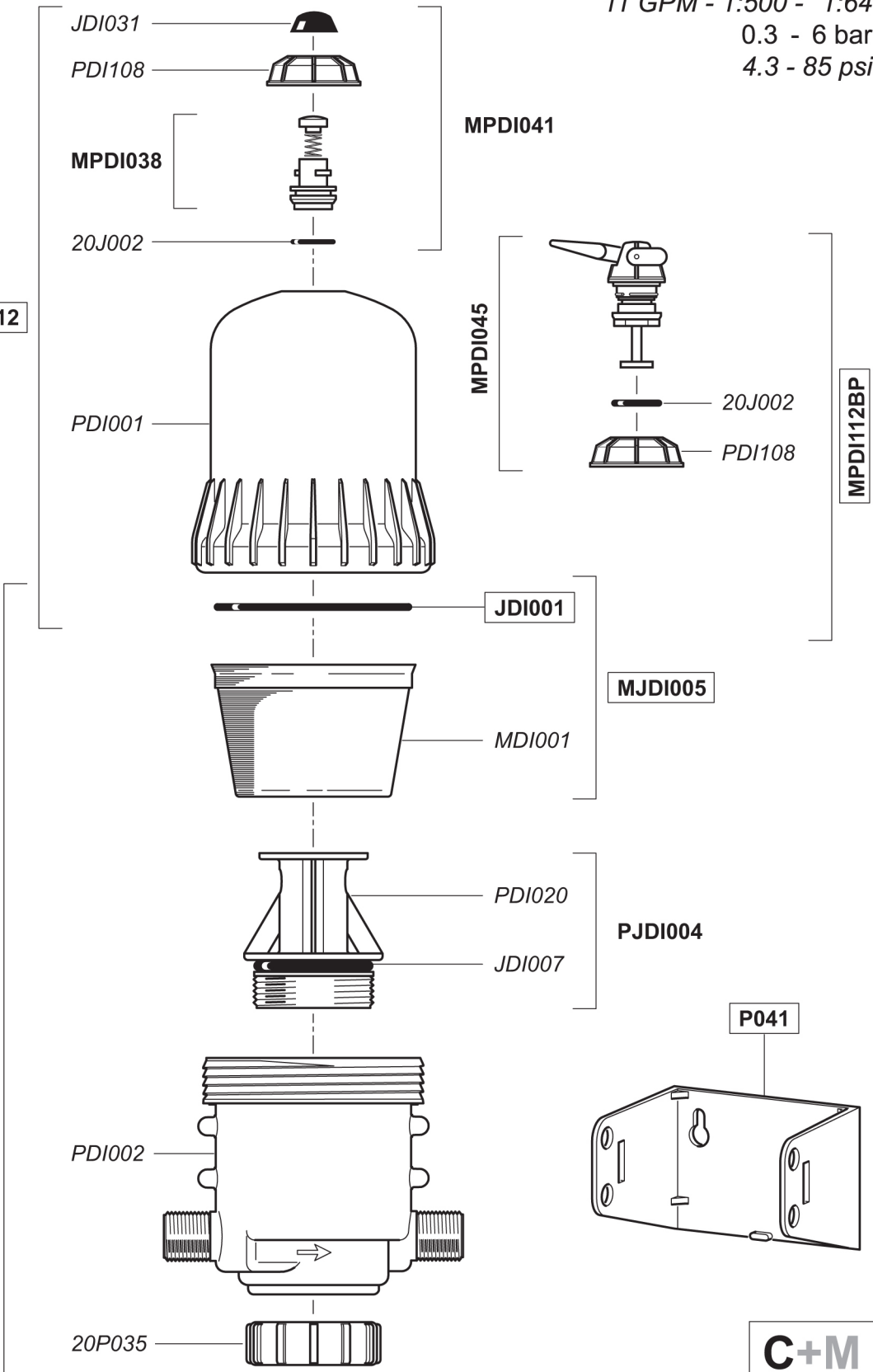
Option "V"

D



DI16

2.5 m³/h - 0.2 - 1.6%
11 GPM - 1:500 - 1:64
0.3 - 6 bar
4.3 - 85 psi



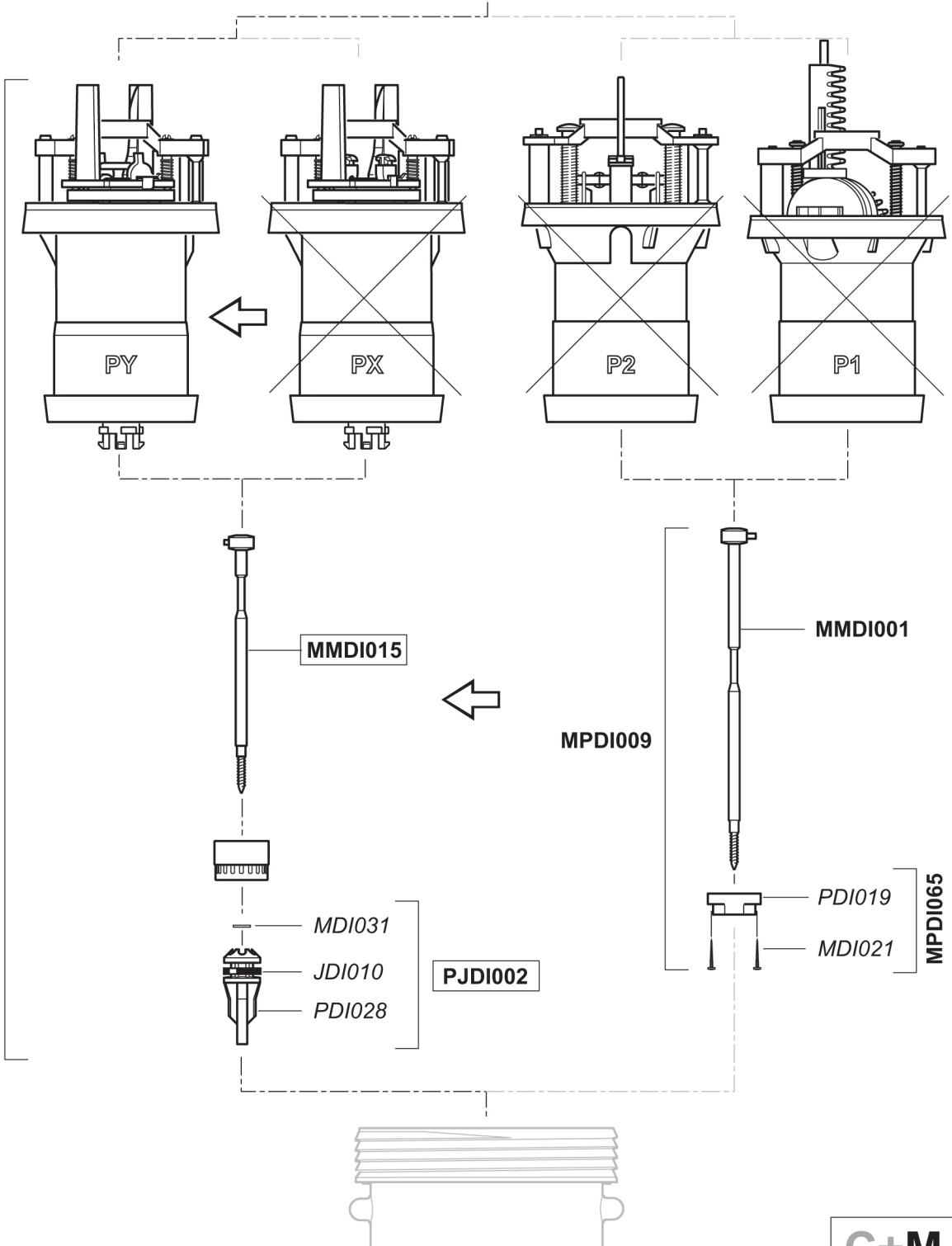
DI16

2.5 m³/h - 0.2 - 1.6%

11 GPM - 1:500 - 1:64

0.3 - 6 bar

4.3 - 85 psi



PCDI018

MMDI015

MMDI001

MPDI009

MDI031

JDI010

PDI028

PDI002

PDI019

MDI021

MPDI065

C+M

DI16

2.5 m³/h - 0.2 - 1.6%
11 GPM - 1:500 - 1:64
0.3 - 6 bar
4.3 - 85 psi

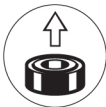
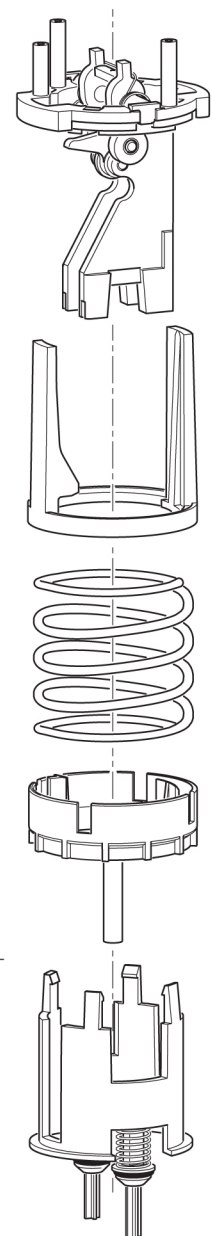
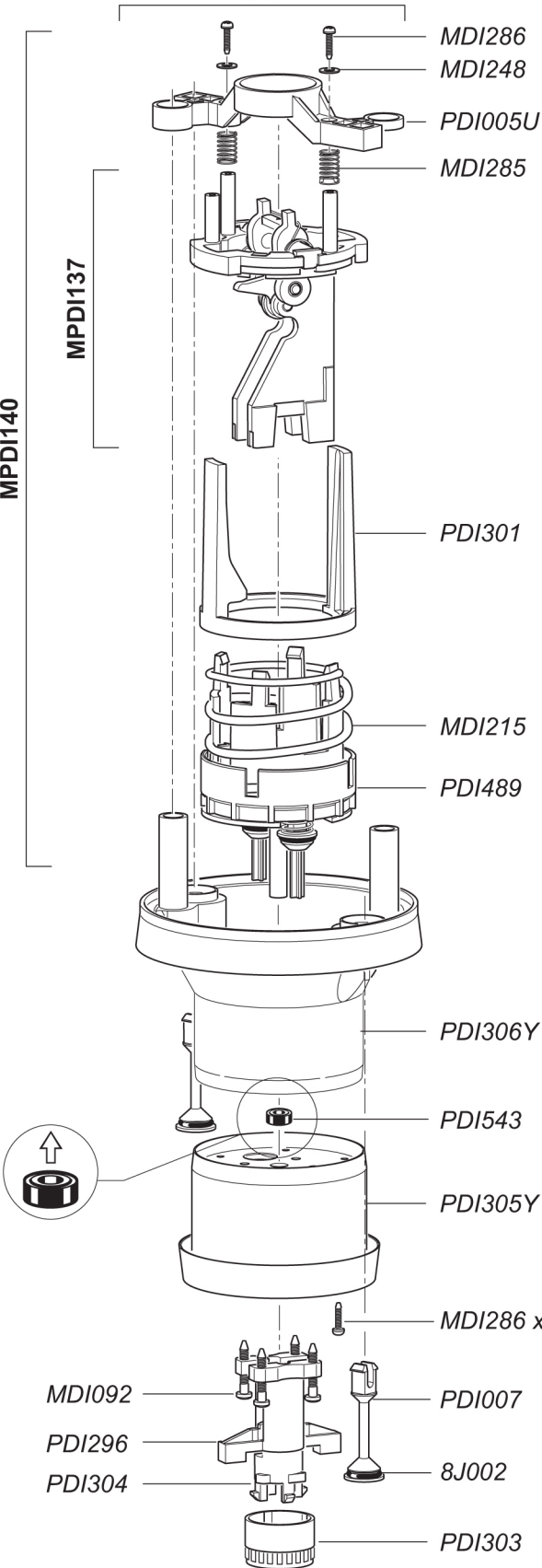
PCDI021E

PCDI021

MPDI140

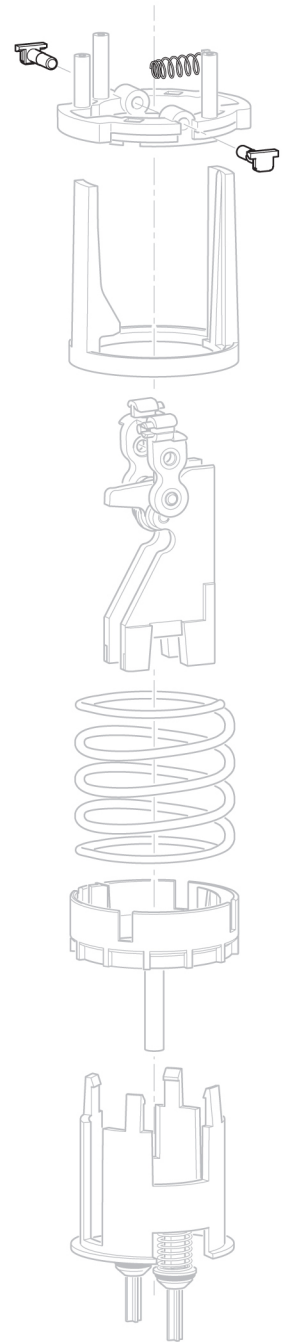
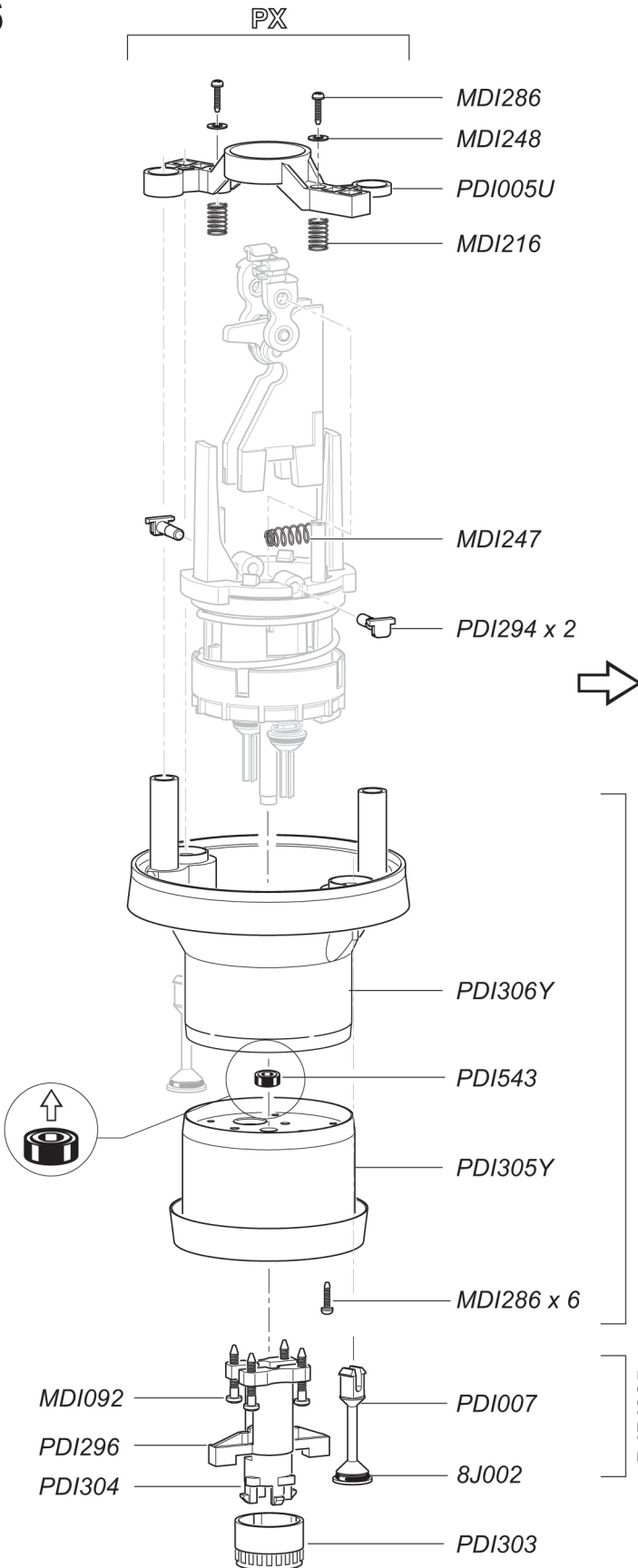
MPDI137

PY



DI16

2.5 m³/h - 0.2 - 1.6%
 11 GPM - 1:500 - 1:64
 0.3 - 6 bar
 4.3 - 85 psi



DI16

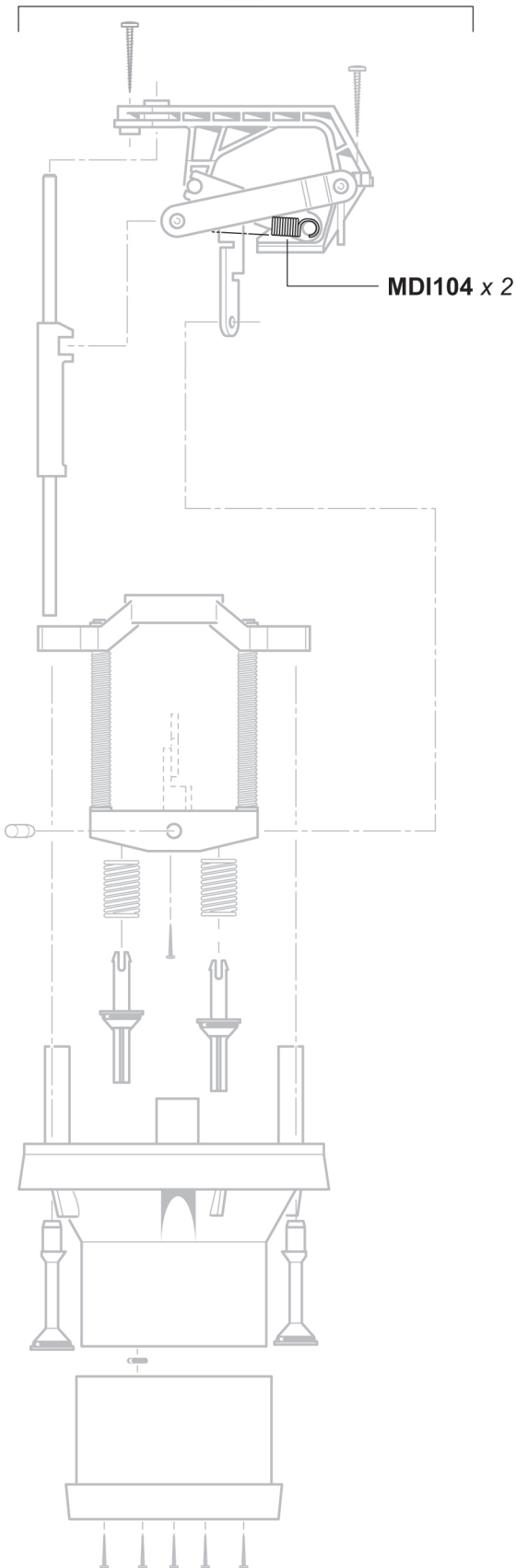
P2

2.5 m³/h - 0.2 - 1.6%

11 GPM - 1:500 - 1:64

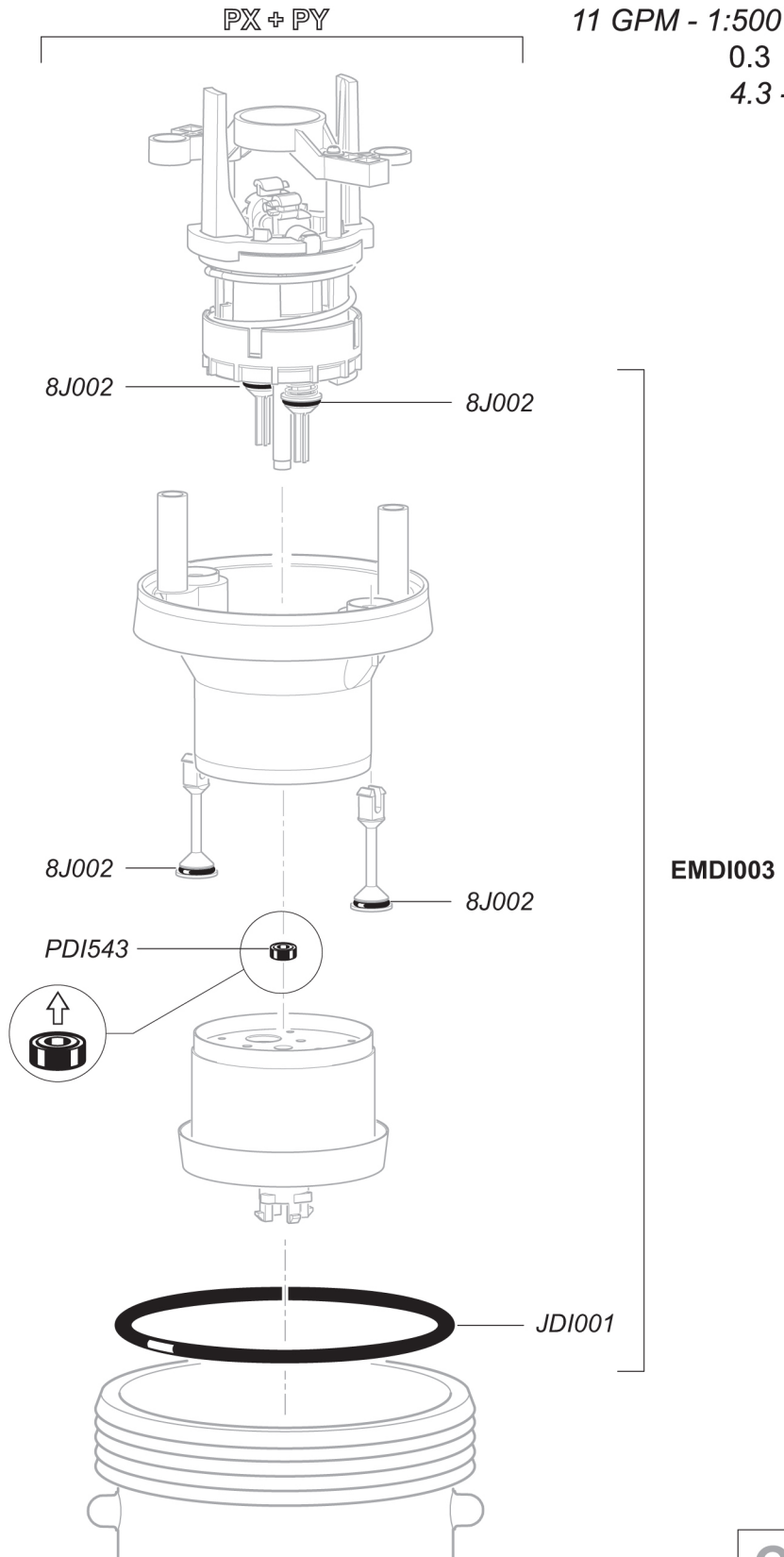
0.3 - 6 bar

4.3 - 85 psi



DI16

2.5 m³/h - 0.2 - 1.6%
11 GPM - 1:500 - 1:64
0.3 - 6 bar
4.3 - 85 psi



DI16

2.5 m³/h - 0.2 - 1.6%

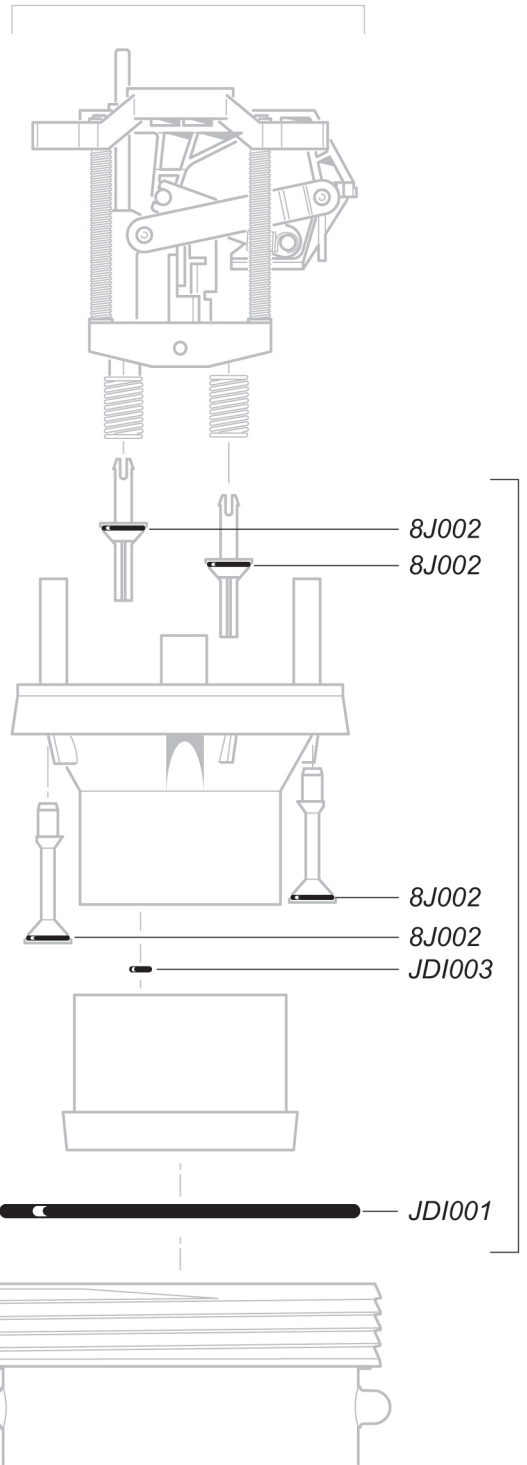
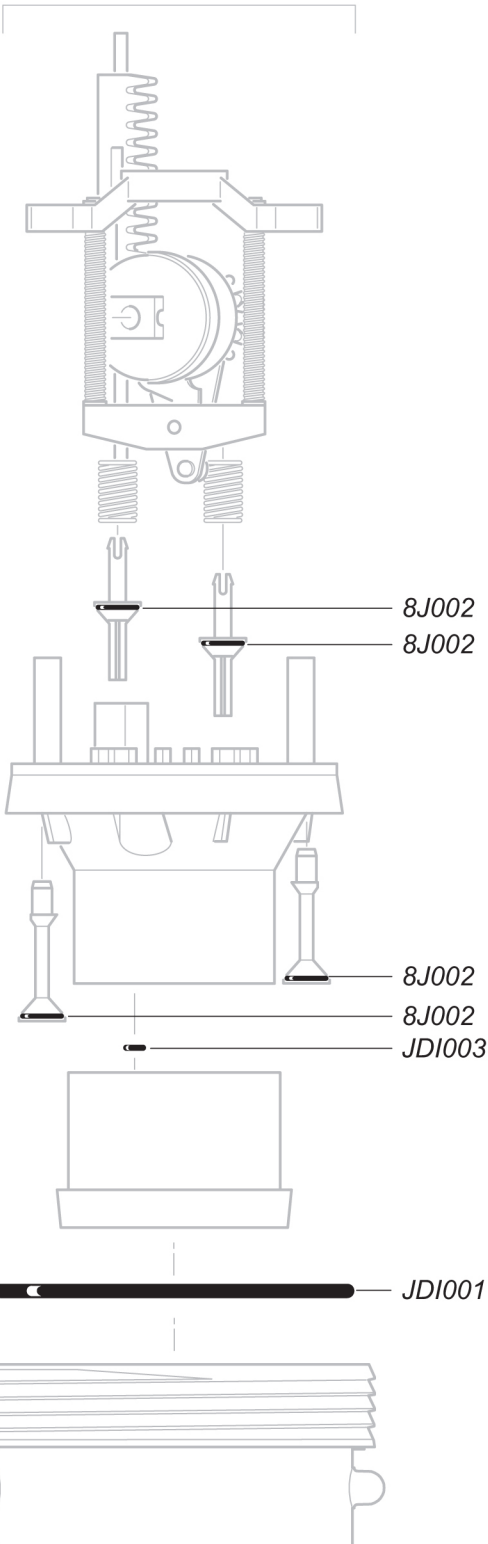
11 GPM - 1:500 - 1:64

0.3 - 6 bar

4.3 - 85 psi

P1

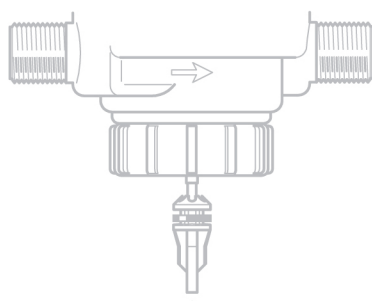
P2



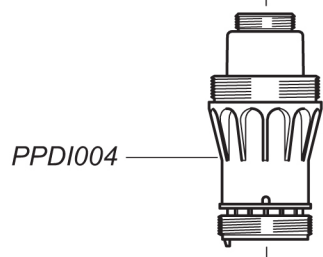
EMDI001

DI16

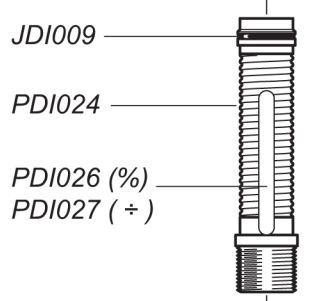
2.5 m³/h - 0.2 - 1.6%
 11 GPM - 1:500 - 1:64
 0.3 - 6 bar
 4.3 - 85 psi



- JDI012
- PDI039
- JDI011

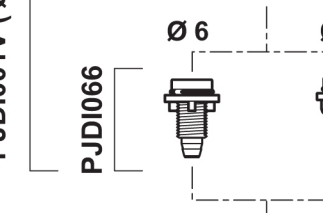


- PPDI004
- PDI030
- PDI031



- JDI009
- PDI024
- PDI026 (%)
- PDI027 (÷)

PJDI019



PJDI001 (Ø 6)
 PJDI001V (Ø 12)

PJDI066

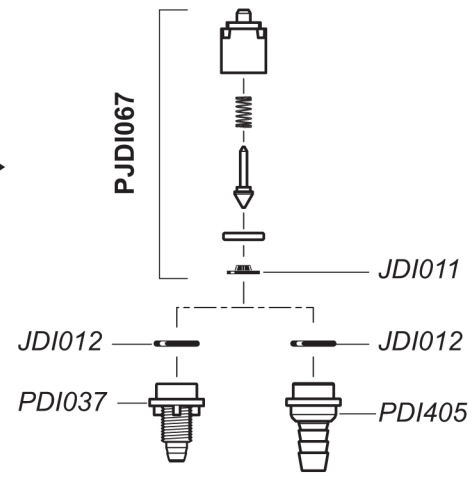
PJDI064



PDI036

8M028

CDDI053 (Ø 6)
 CDDI053V (Ø 12)



PJDI067

JDI011

JDI012

JDI012

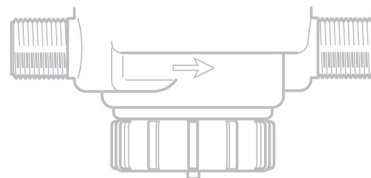
PDI037

PDI405

D

DI16

2.5 m³/h - 0.2 - 1.6%
11 GPM - 1:500 - 1:64
0.3 - 6 bar
4.3 - 85 psi



JDI010

JDI012

JDI011

JDI009

PJDI075 (Ø6)
PJDI075V (Ø12)

PJDI001 (Ø6)
PJDI001V (Ø12)

PJDI067

PJDI066

Ø6

Ø12

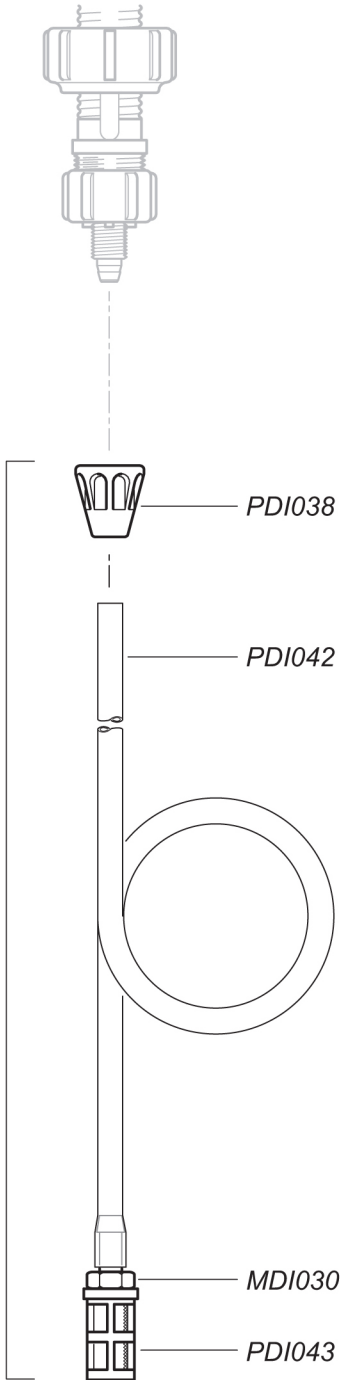
PJDI064



D

DI16

2.5 m³/h - 0.2 - 1.6%
11 GPM - 1:500 - 1:64
0.3 - 6 bar
4.3 - 85 psi



Option "V"

