



DOSATRON®

An Ingersoll Rand Business



DM11RE3 - 11 GPM INTERACTIVE SCHEMATICS

UNIT SPECIFICATIONS

- 1:128 - 1:32
- 2.2 - 57 PSI
- 3/4" NPT Connection

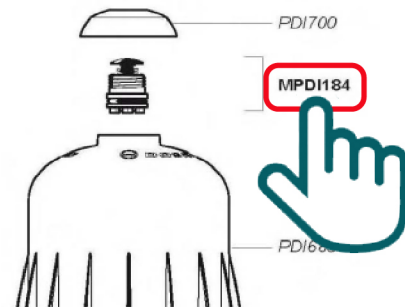
SUGGESTED INSTALLATION

- 200 mesh/80 micron water filter prior to the unit

SUGGESTED MAINTENANCE

- Injection Seal Kit
Part #: [PJD1154](#)
For yearly maintenance

DOCUMENT INSTRUCTIONS

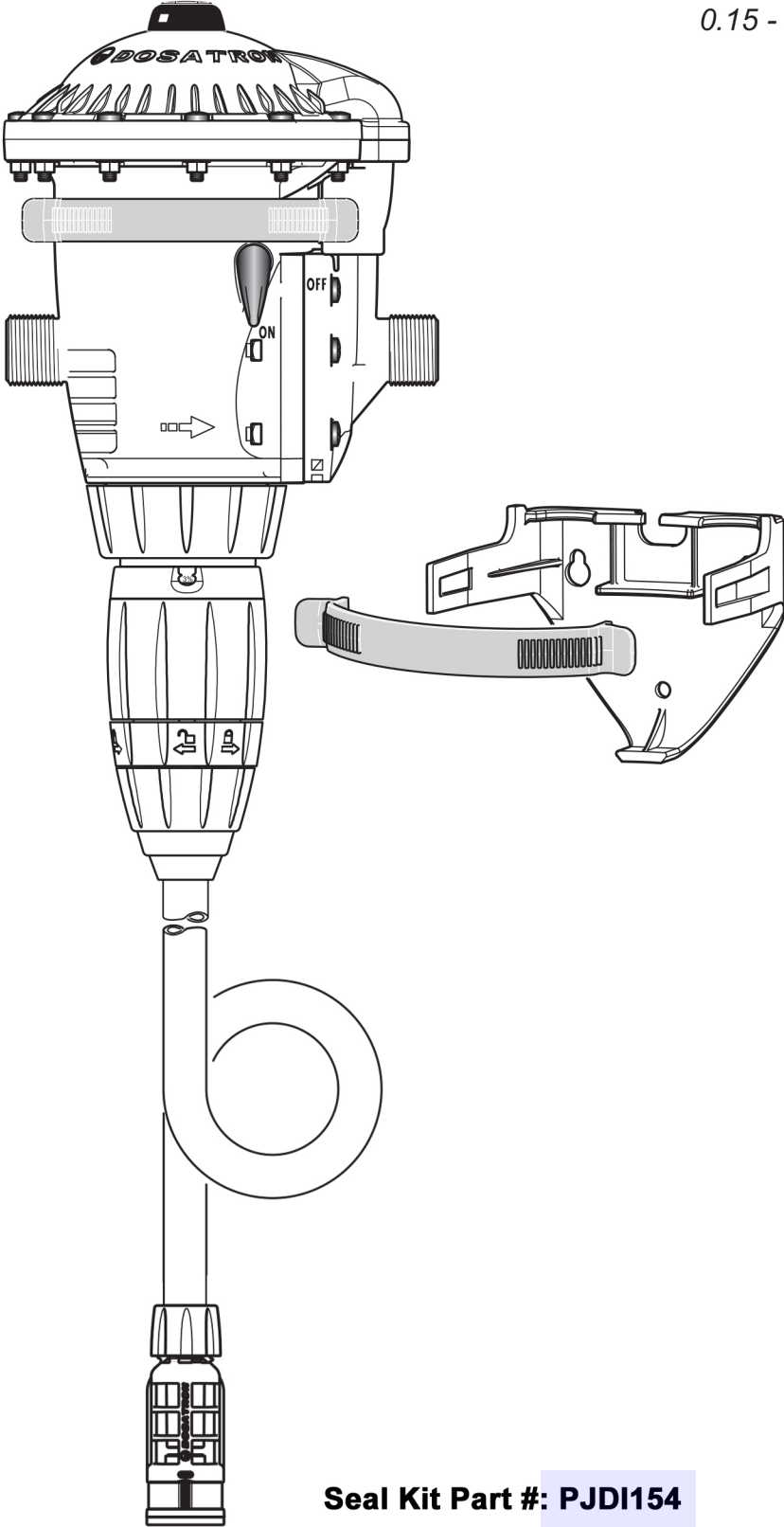


- Click on a part #, to visit item page
- Click arrow back from item page, to return to this document



DM11RE3

11 GPM - 1:128 - 1:32
2.5 m³/h - 0.8% - 3%
2.2 - 57 psi
0.15 - 4 bar

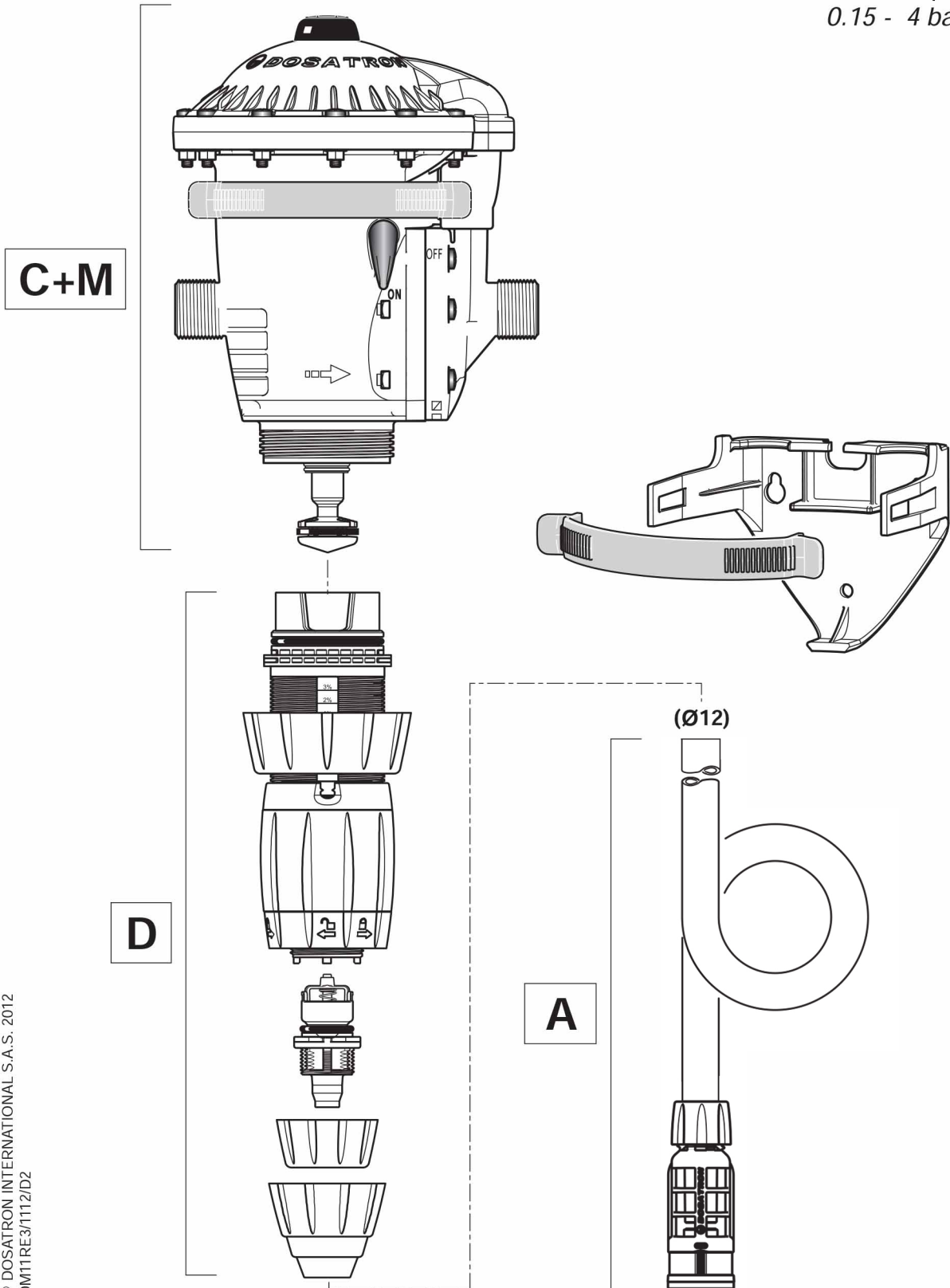


© DOSATRON INTERNATIONAL S.A.S. 2012
DM11RE3/112/D1

Seal Kit Part #: PJD1154

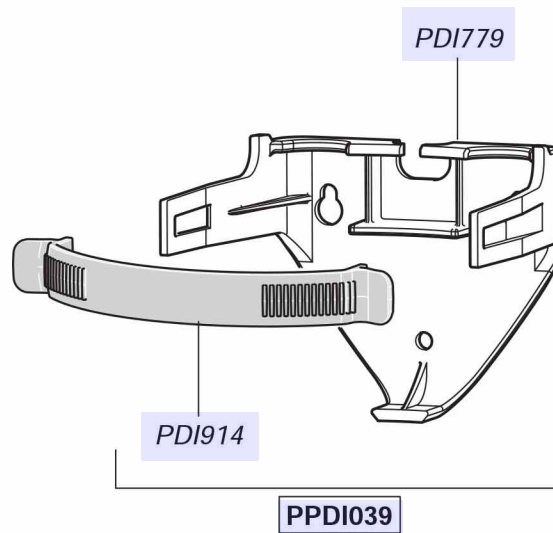
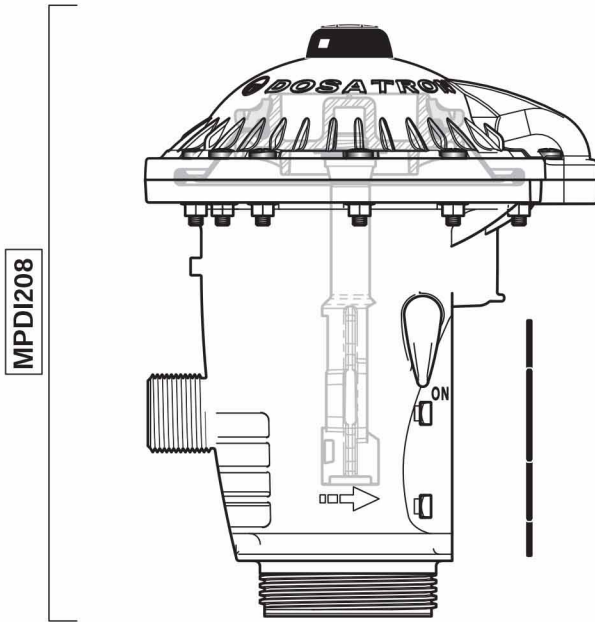
DM11RE3

11 GPM - 1:128 - 1:32
2.5 m³/h - 0.8% - 3%
2.2 - 57 psi
0.15 - 4 bar



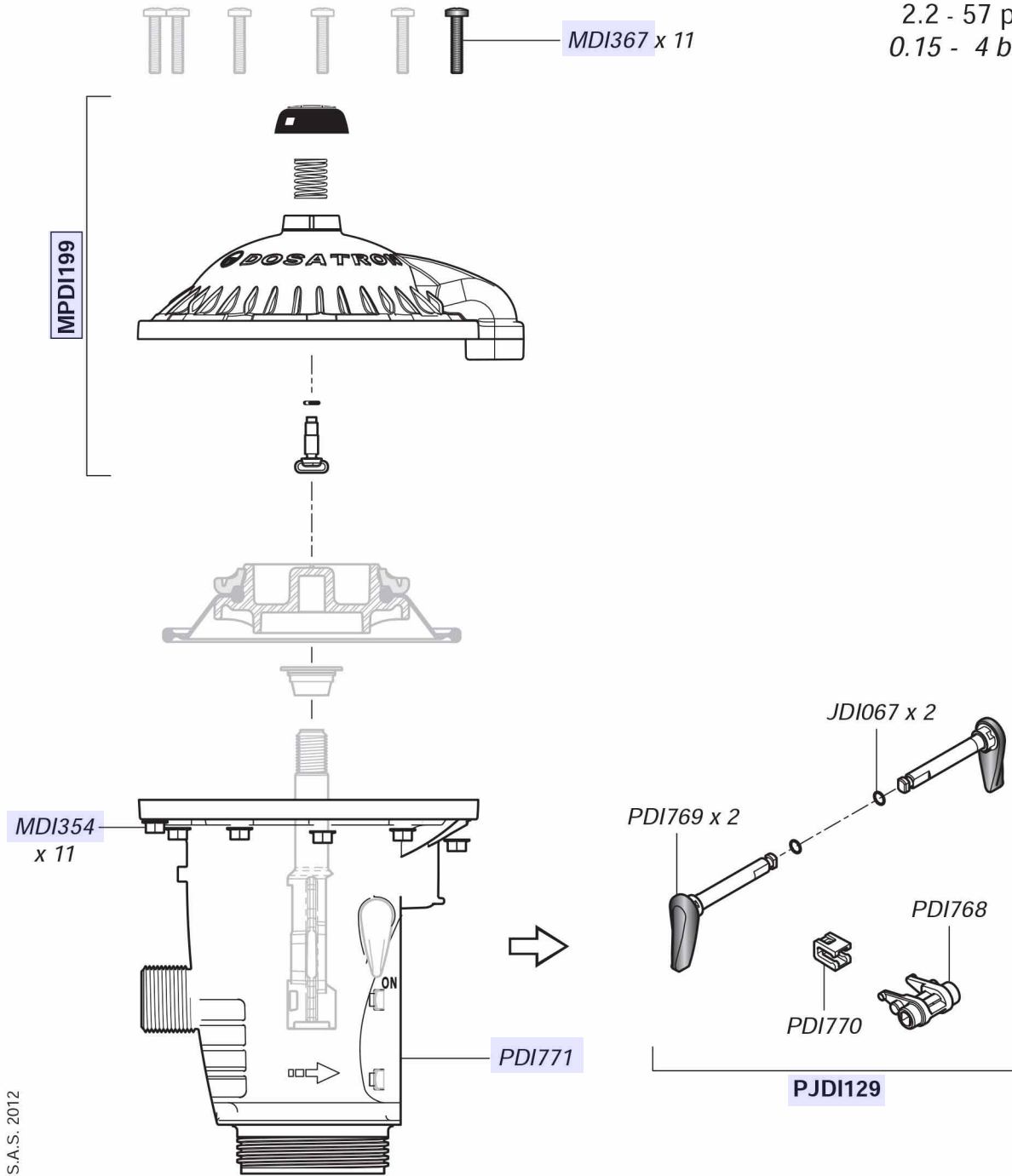
DM11RE3

11 GPM - 1:128 - 1:32
2.5 m³/h - 0.8% - 3%
2.2 - 57 psi
0.15 - 4 bar



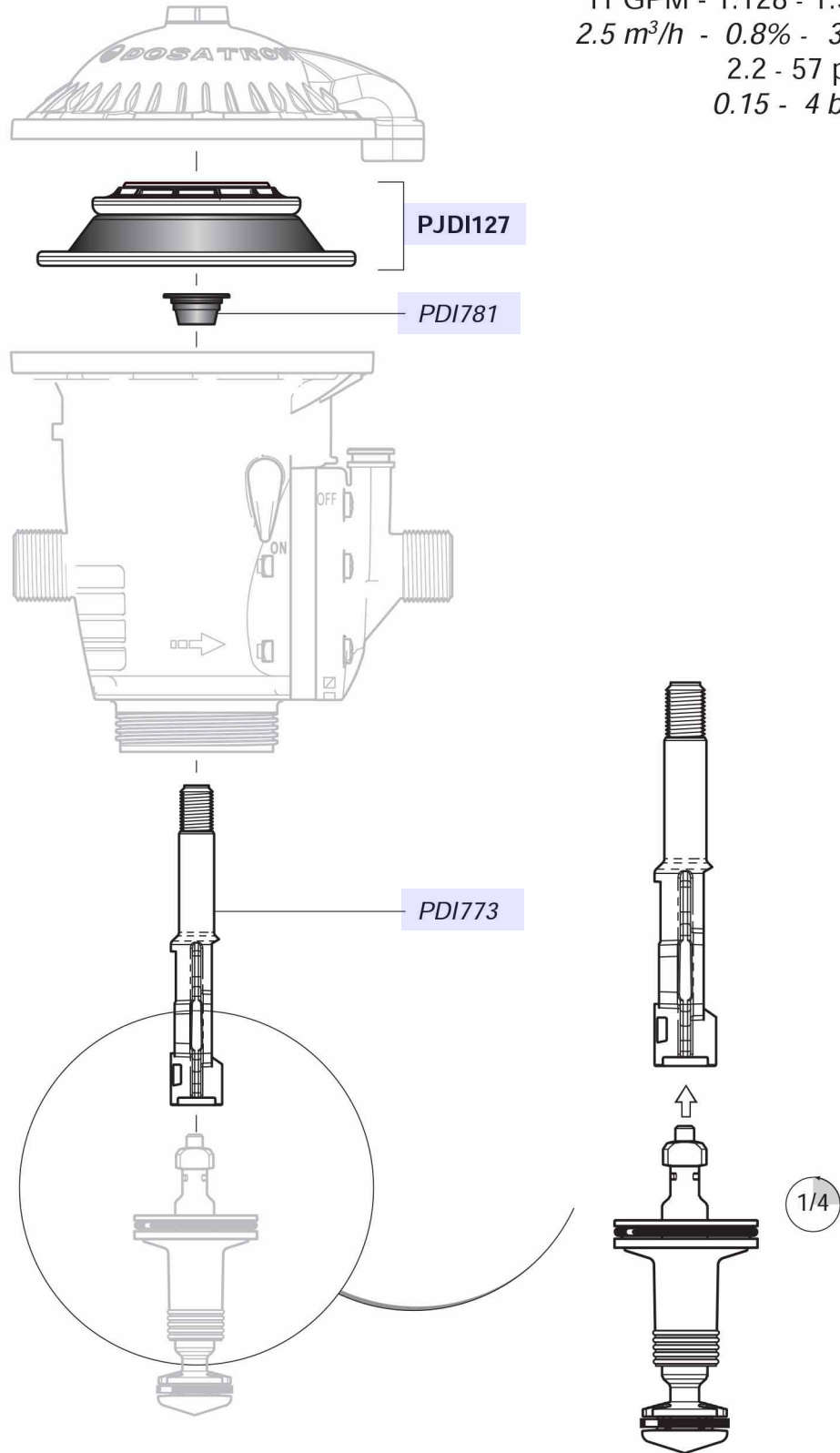
DM11RE3

11 GPM - 1:128 - 1:32
2.5 m³/h - 0.8% - 3%
2.2 - 57 psi
0.15 - 4 bar



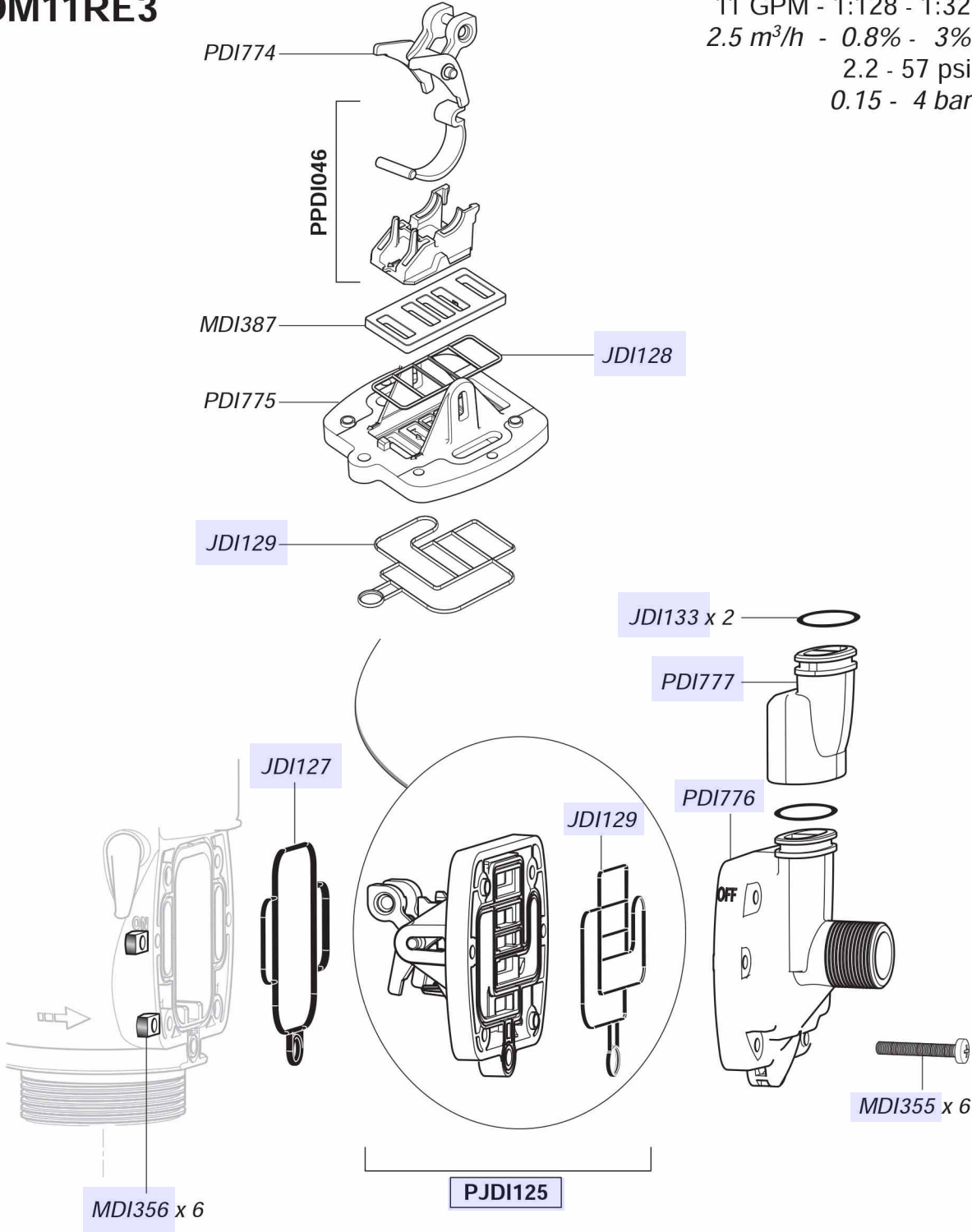
DM11RE3

11 GPM - 1:128 - 1:32
2.5 m³/h - 0.8% - 3%
2.2 - 57 psi
0.15 - 4 bar



DM11RE3

11 GPM - 1:128 - 1:32
 2.5 m³/h - 0.8% - 3%
 2.2 - 57 psi
 0.15 - 4 bar

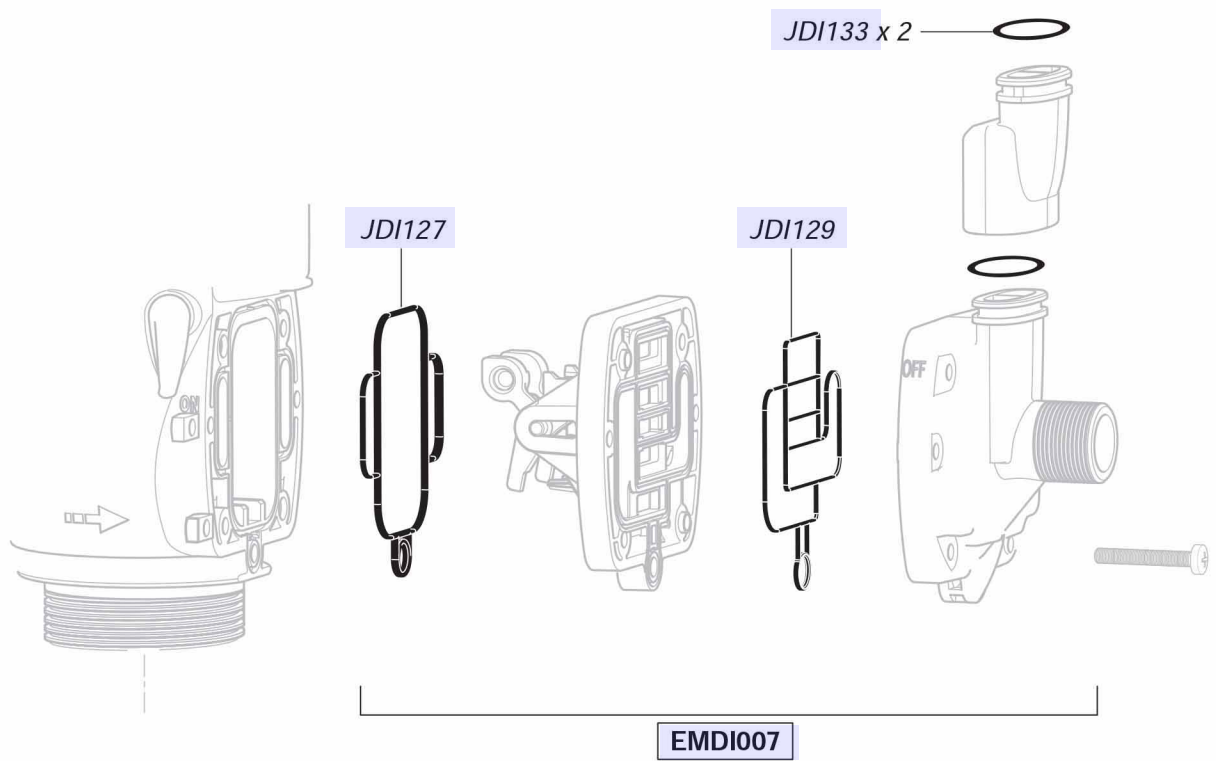


© DOSATRON INTERNATIONAL S.A.S. 2012
 DM11RE3/1112/D6



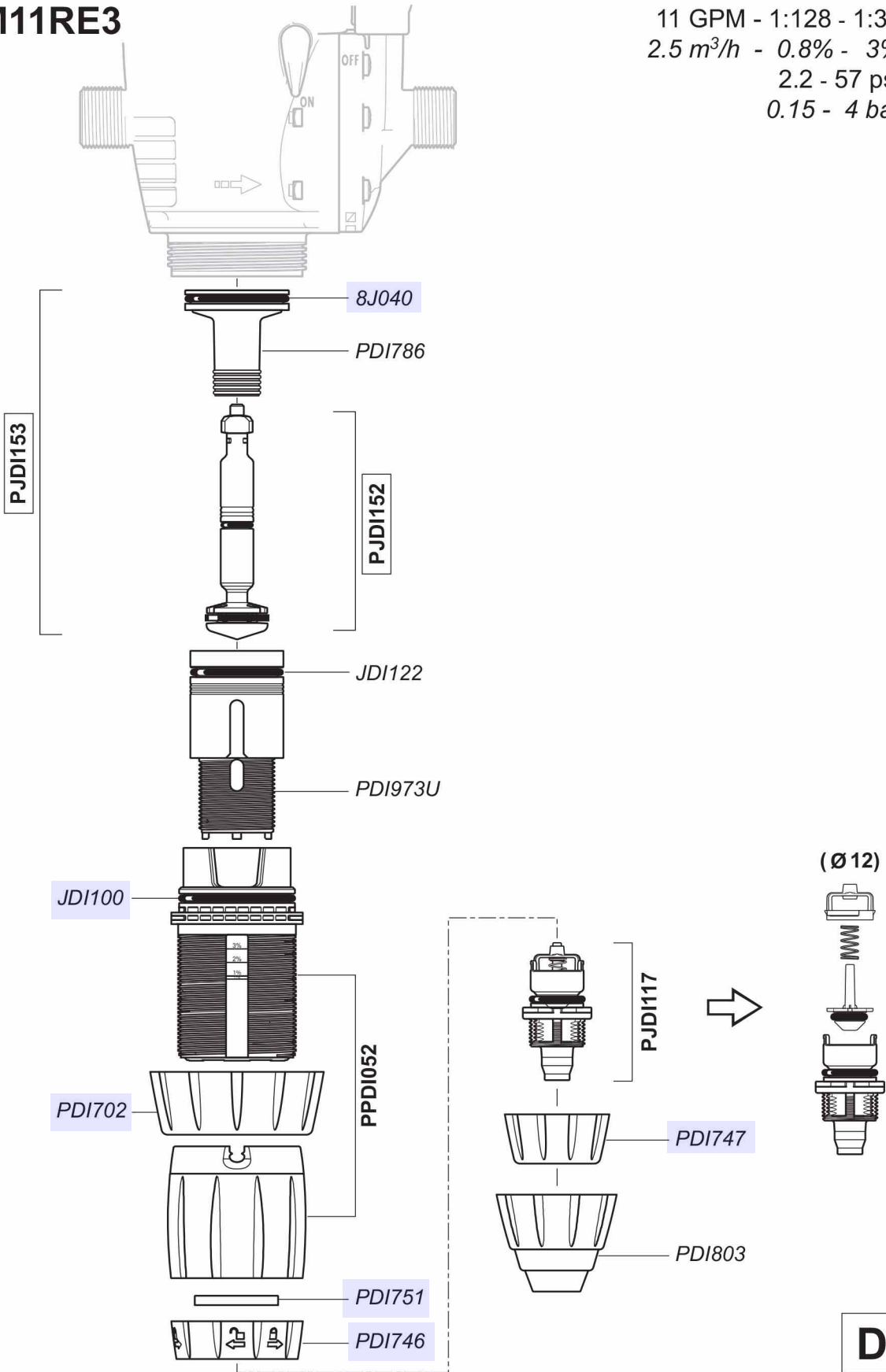
DM11RE3

11 GPM - 1:128 - 1:32
2.5 m³/h - 0.8% - 3%
2.2 - 57 psi
0.15 - 4 bar



DM11RE3

11 GPM - 1:128 - 1:32
 2.5 m³/h - 0.8% - 3%
 2.2 - 57 psi
 0.15 - 4 bar

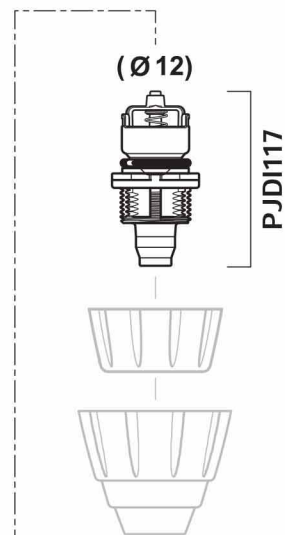
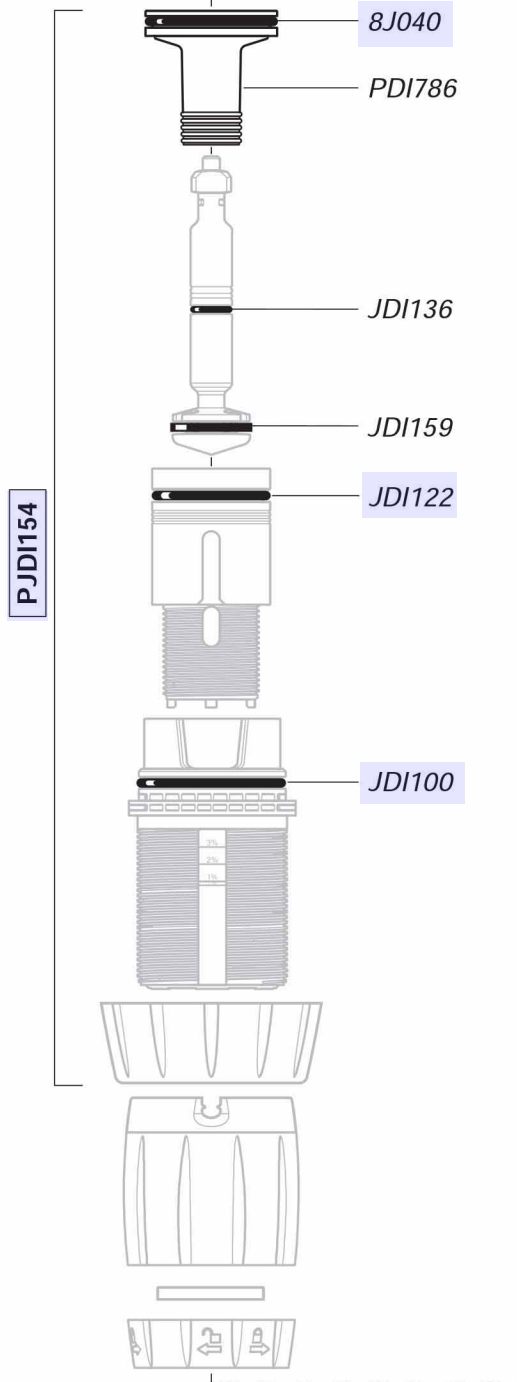
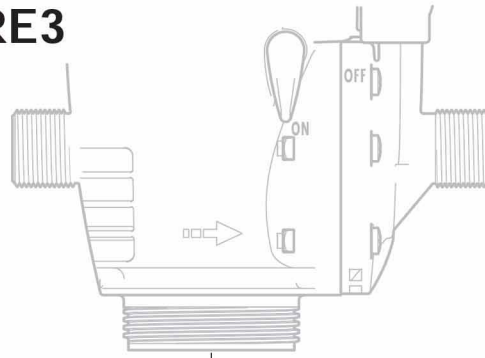


© DOSATRON INTERNATIONAL S.A.S. 2012
 DM11RE3/112/D8

D

DM11RE3

11 GPM - 1:128 - 1:32
2.5 m³/h - 0.8% - 3%
2.2 - 57 psi
0.15 - 4 bar



DM11RE3

11 GPM - 1:128 - 1:32
2.5 m³/h - 0.8% - 3%
2.2 - 57 psi
0.15 - 4 bar

