



# DOSATRON®

An Ingersoll Rand Business



## D25F1 - 11 GPM INTERACTIVE SCHEMATICS

### UNIT SPECIFICATIONS

- 1:100 FIXED
- 4.3 - 85 PSI
- 3/4" NPT Connection

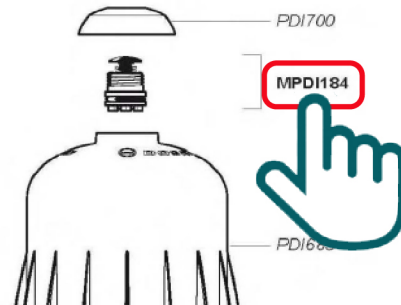
### SUGGESTED INSTALLATION

- 200 mesh/80 micron water filter prior to the unit

### SUGGESTED MAINTENANCE

- Mini-Maintenance Kit  
Part #: [PJ117MINI-H](#)  
For regular maintenance
- Injection Seal Kit  
Part #: [PJ117](#)  
For yearly maintenance

### DOCUMENT INSTRUCTIONS

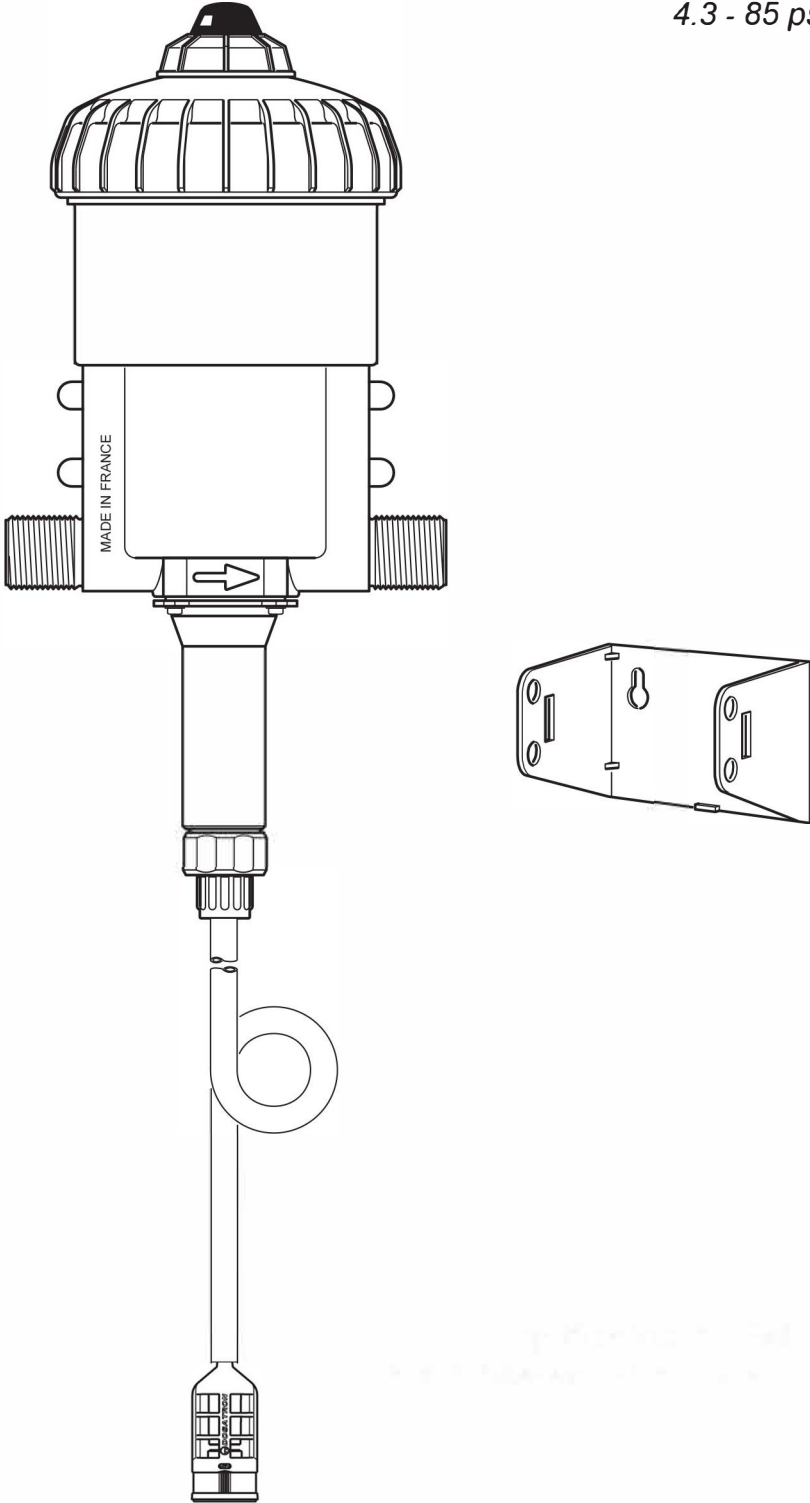


- Click on a part #, to visit item page
- Click arrow back from item page, to return to this document



# D25F1

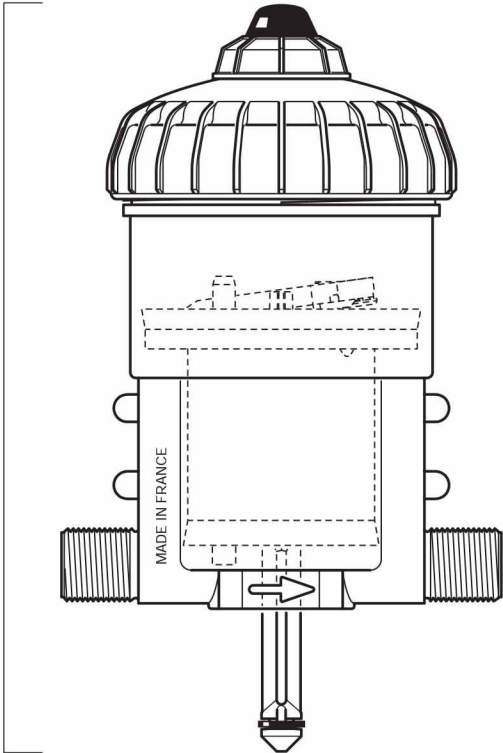
2.5 m<sup>3</sup>/h - 1%  
11 GPM - 1:100  
0.3 - 6 bar  
4.3 - 85 psi



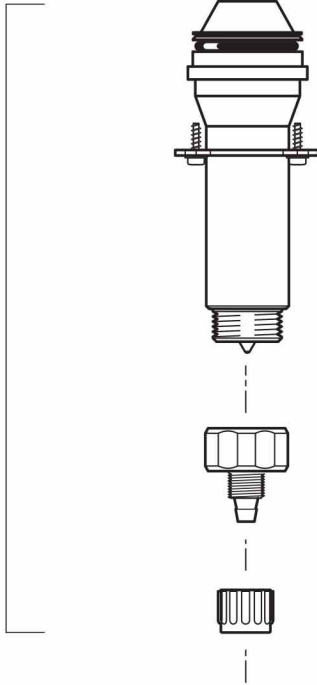
# D25F1

2.5 m<sup>3</sup>/h - 1%  
11 GPM - 1:100  
0.3 - 6 bar  
4.3 - 85 psi

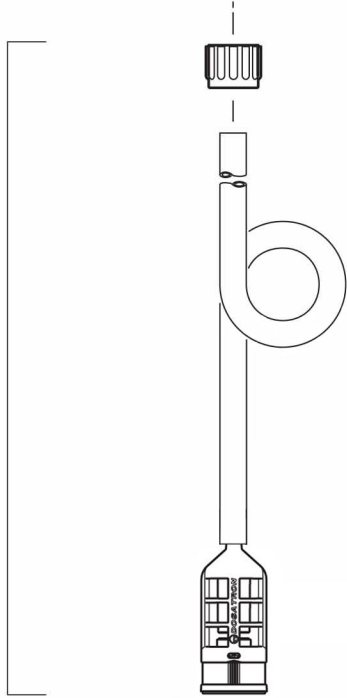
C+M



D

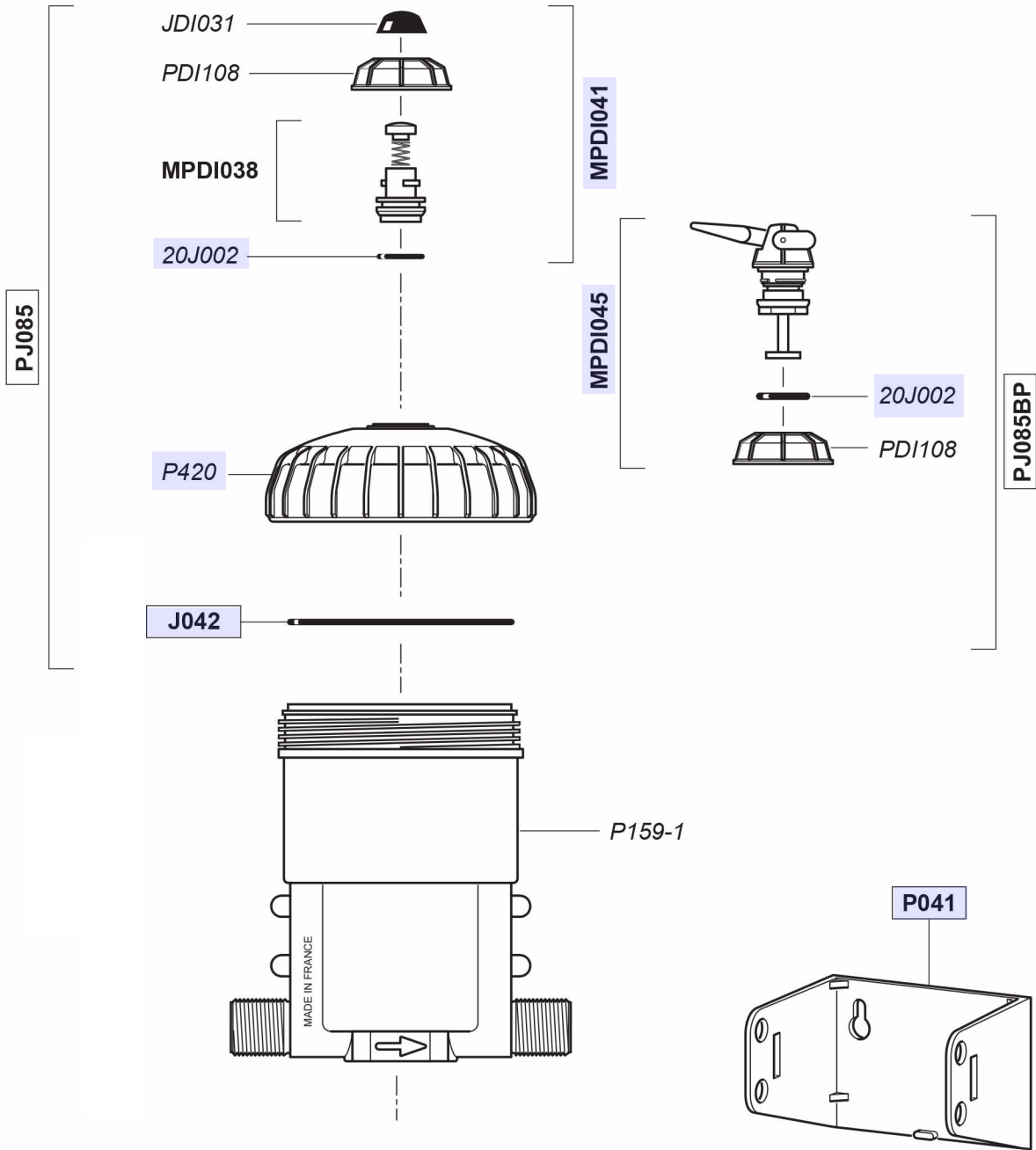


A



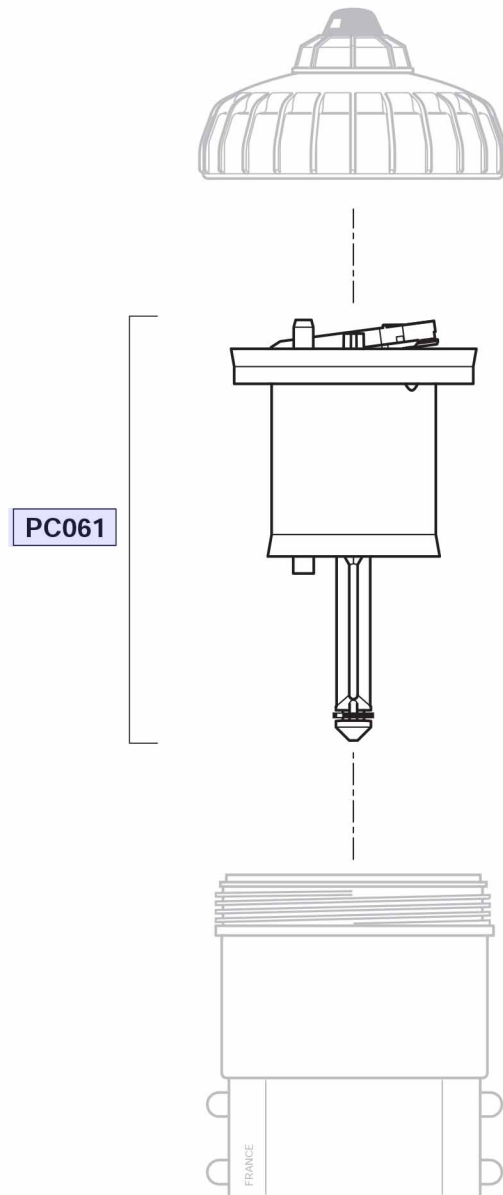
# D25F1

2.5 m<sup>3</sup>/h - 1%  
11 GPM - 1:100  
0.3 - 6 bar  
4.3 - 85 psi



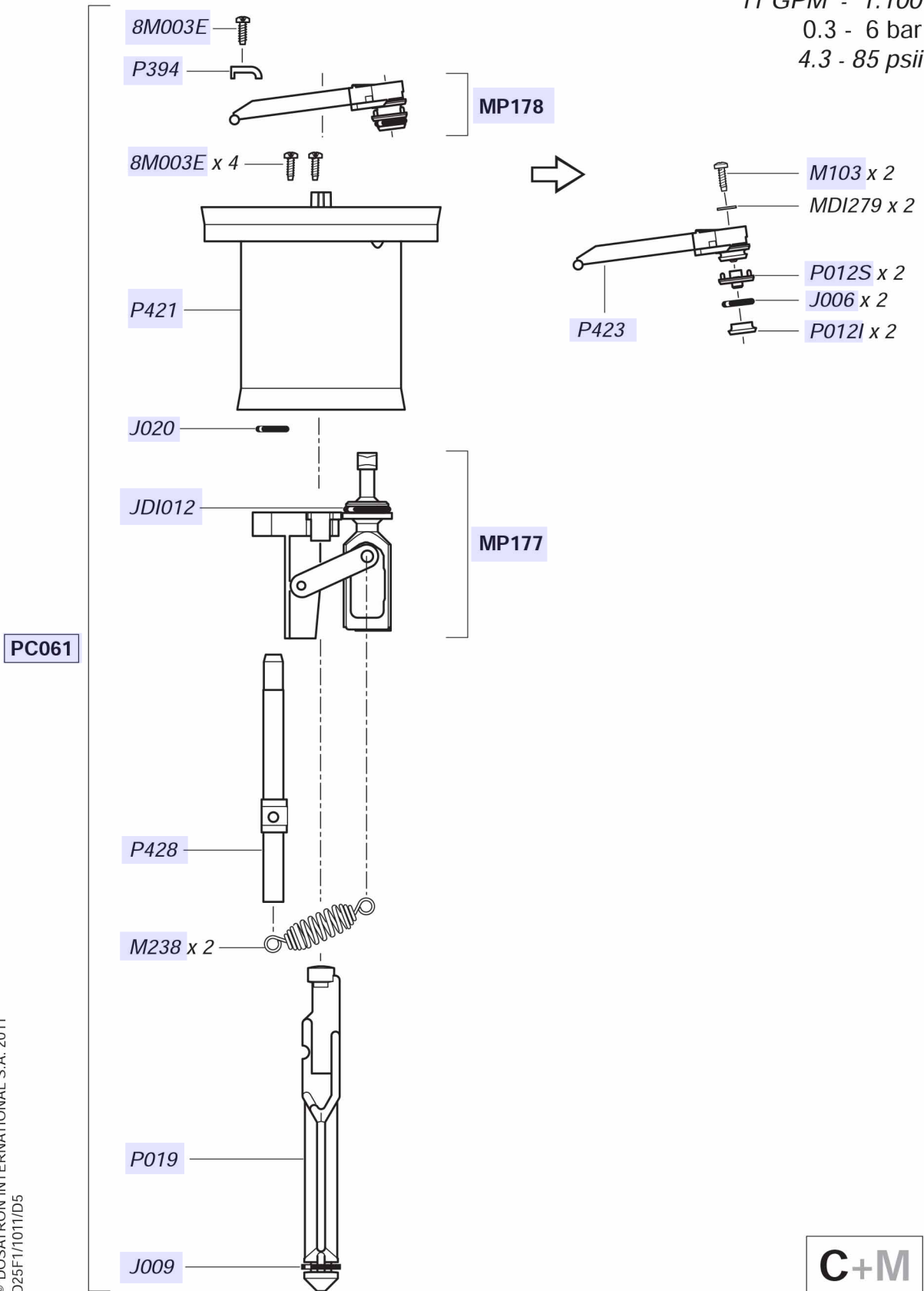
# D25F1

2.5 m<sup>3</sup>/h - 1%  
11 GPM - 1:100  
0.3 - 6 bar  
4.3 - 85 psi



# D25F1

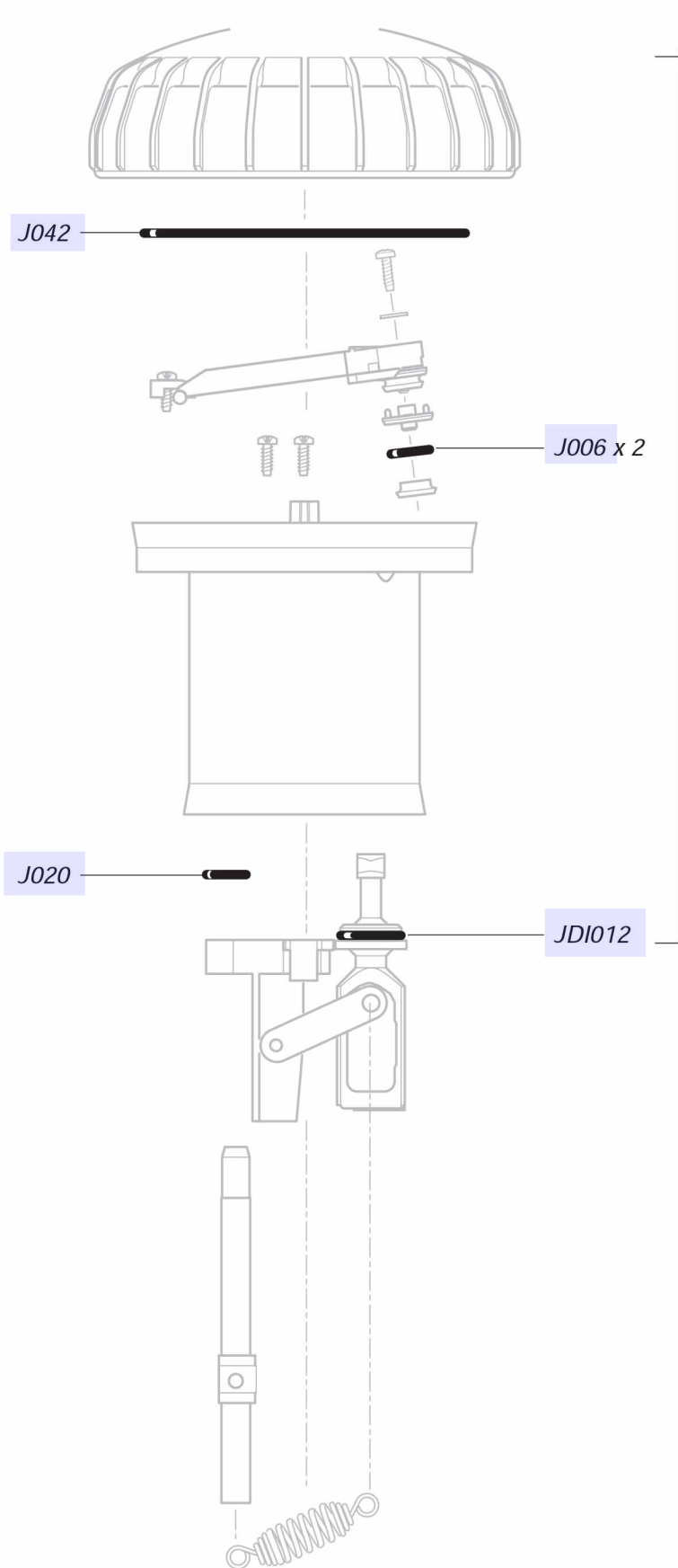
2.5 m<sup>3</sup>/h - 1%  
 11 GPM - 1:100  
 0.3 - 6 bar  
 4.3 - 85 psii



© DOSATRON INTERNATIONAL S.A. 2011  
 D25F1/1011/D5



# D25F1

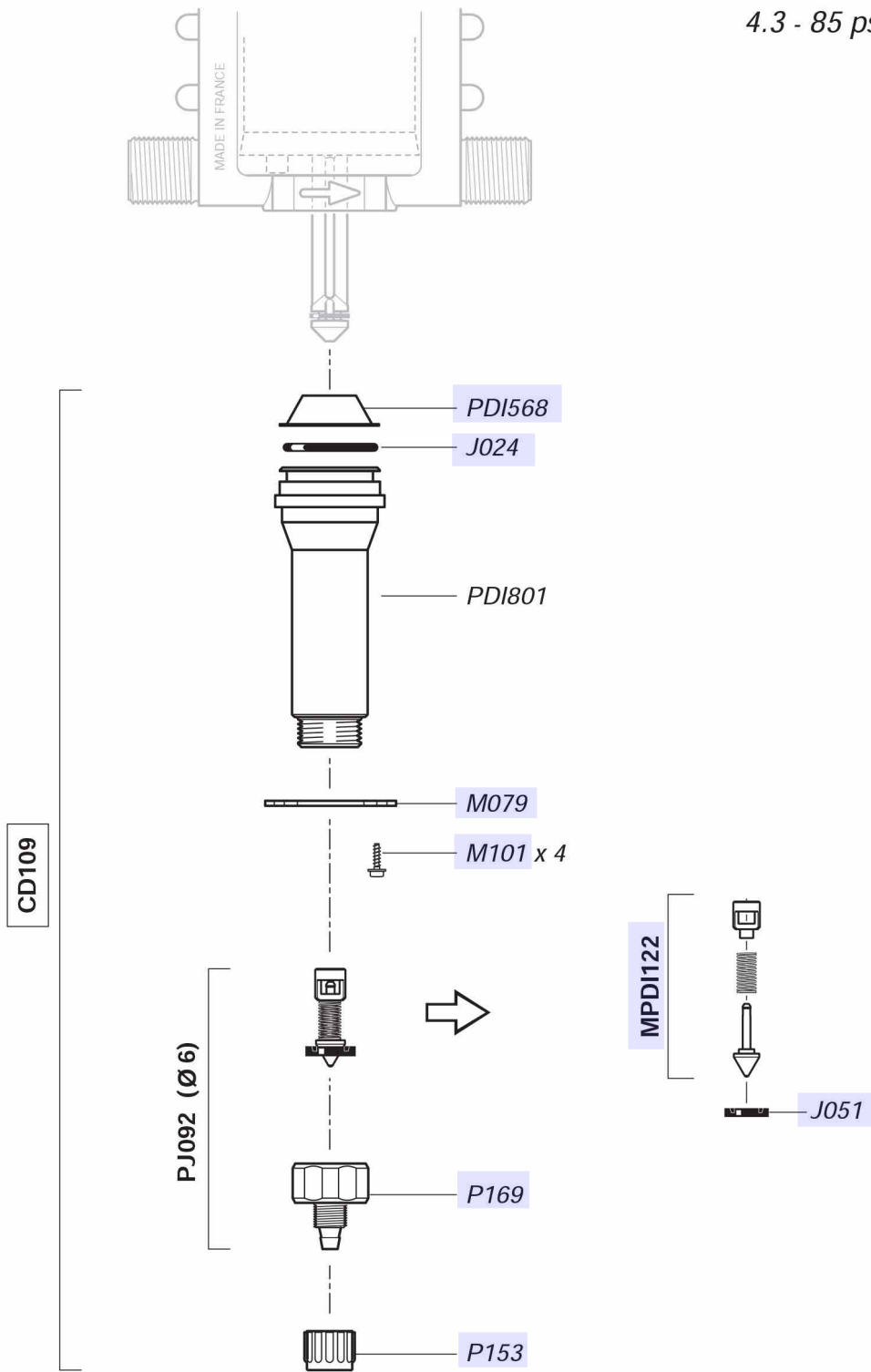


2.5 m<sup>3</sup>/h - 1%  
11 GPM - 1:100  
0.3 - 6 bar  
4.3 - 85 psi

EM004

# D25F1

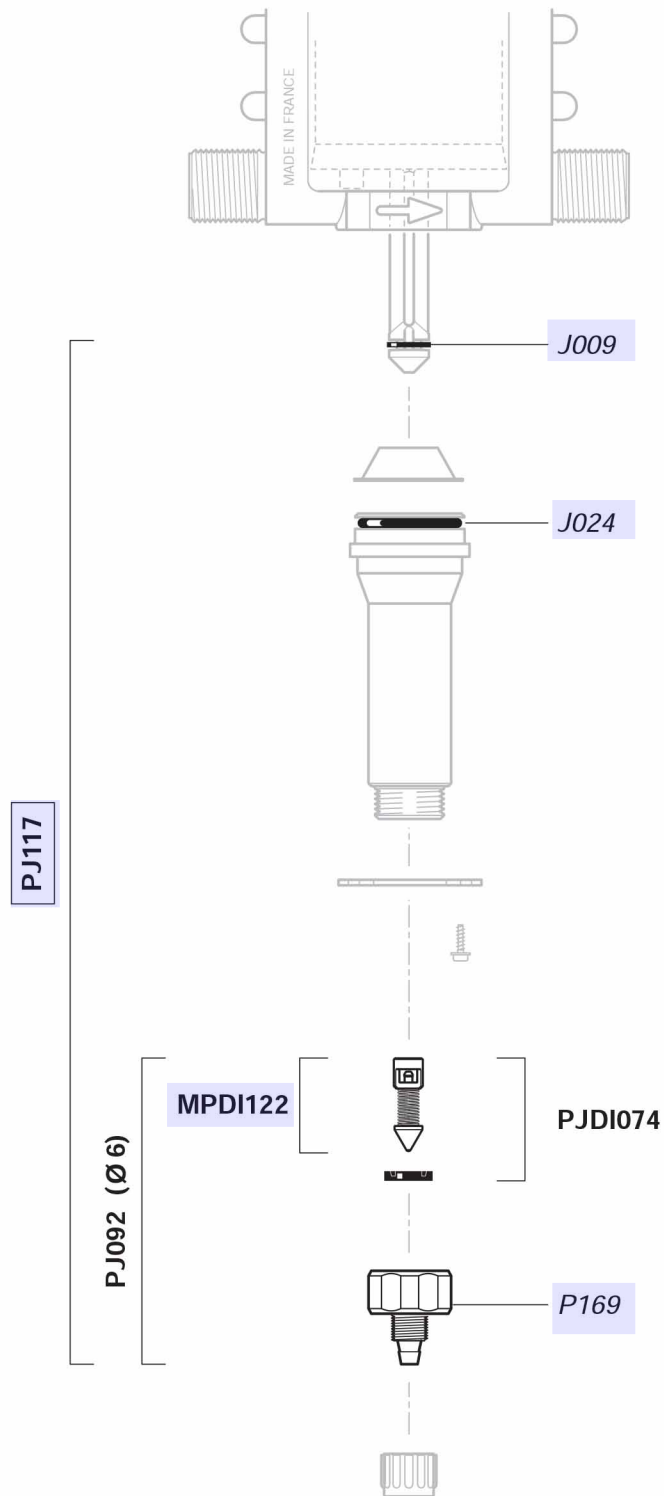
2.5 m<sup>3</sup>/h - 1%  
11 GPM - 1:100  
0.3 - 6 bar  
4.3 - 85 psi





# D25F1

2.5 m<sup>3</sup>/h - 1%  
11 GPM - 1:100  
0.3 - 6 bar  
4.3 - 85 psi



# D25F1

2.5 m<sup>3</sup>/h - 1%  
11 GPM - 1:100  
0.3 - 6 bar  
4.3 - 85 psi

