



# DOSATRON®

An Ingersoll Rand Business



## D14MZ10-D - 14 GPM INTERACTIVE SCHEMATICS

### UNIT SPECIFICATIONS

- 1:100 - 1:10
- 7 - 85 PSI
- 3/4" NPT Connection

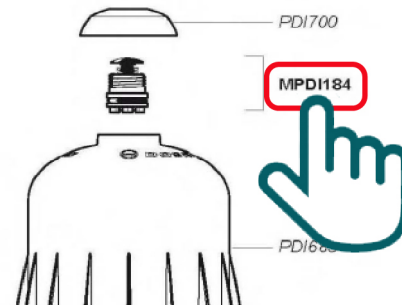
### SUGGESTED INSTALLATION

- 200 mesh/80 micron water filter prior to the unit

### SUGGESTED MAINTENANCE

- Mini-Maintenance Kit  
Part #: [PJDI122MINI-H](#)  
For regular maintenance
- Injection Seal Kit  
Part #: [PJDI122](#)  
For yearly maintenance
- Rebuild Kit  
Part #: [MKD14MZ10](#)  
Extends the life of your unit
- Piston Flange Kit  
Part #: [PPDI034](#)

### DOCUMENT INSTRUCTIONS

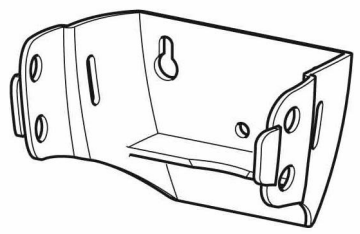
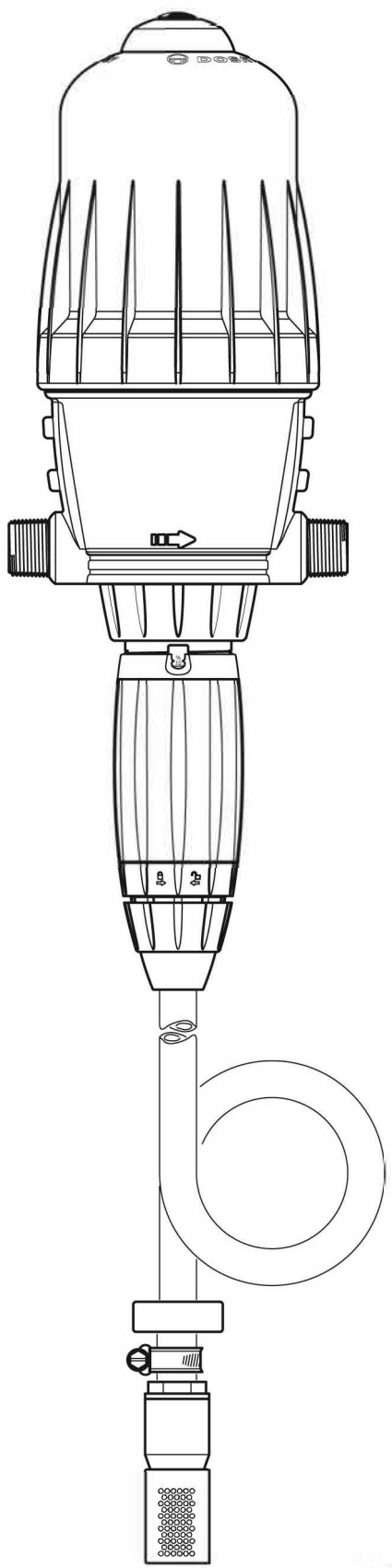


- Click on a part #, to visit item page
- Click arrow back from item page, to return to this document



**D14MZ10-D  
Vehicle Wash**

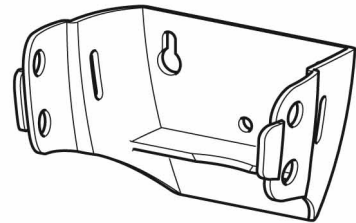
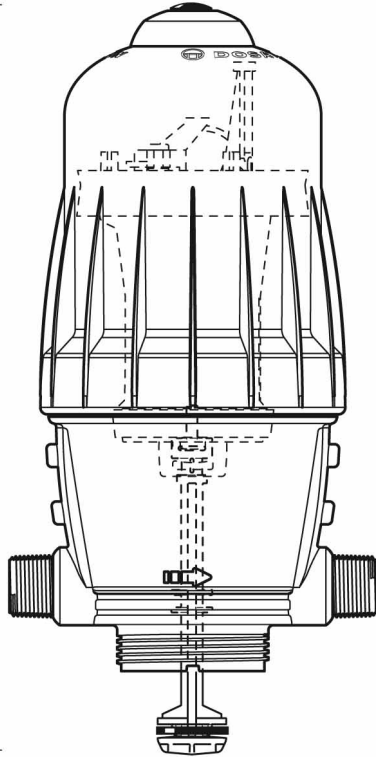
14 GPM - 1:100 - 1:10  
3 m<sup>3</sup>/h - 1 -10 %  
7 - 85 psi  
0.5 - 6 bar



**D14MZ10-D  
Vehicle Wash**

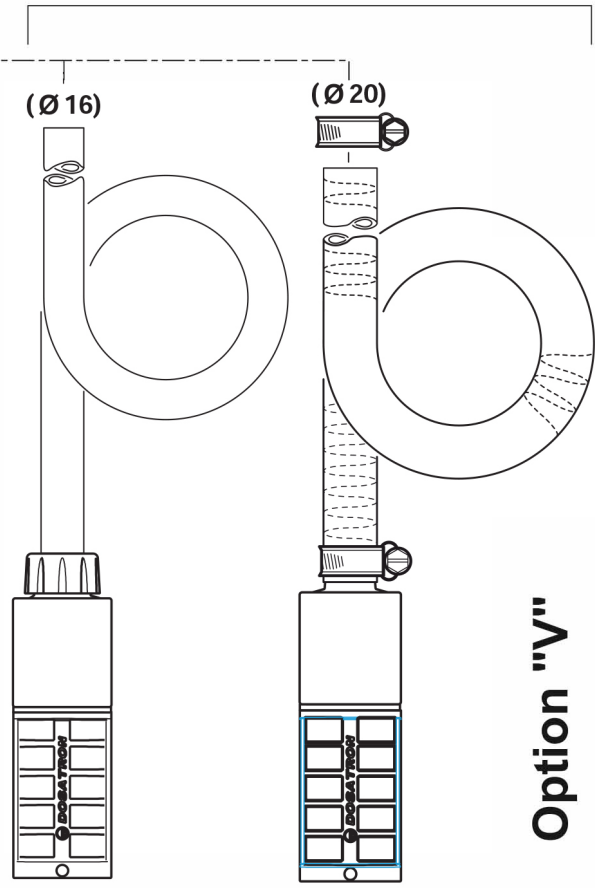
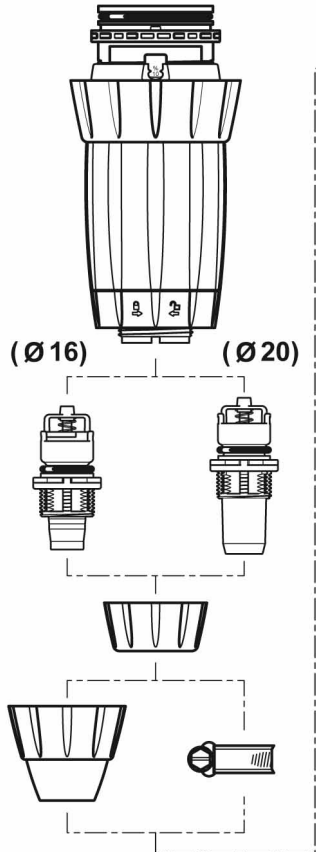
14 GPM - 1:100 - 1:10  
 3 m<sup>3</sup>/h - 1 - 10 %  
 7 - 85 psi  
 0.5 - 6 bar

**C+M**



**A**

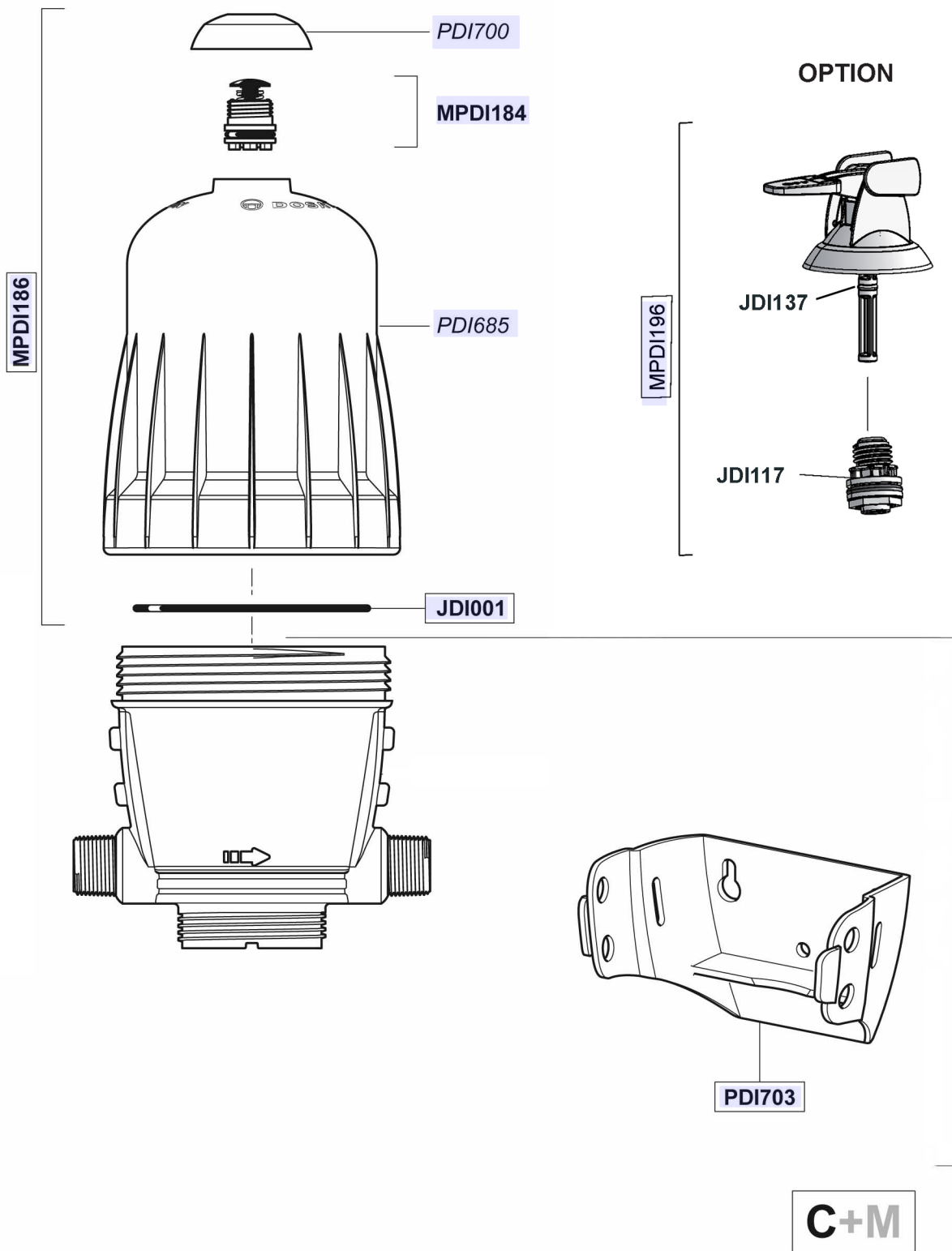
**D**



**Option "V"**

**D14MZ10-D  
Vehicle Wash**

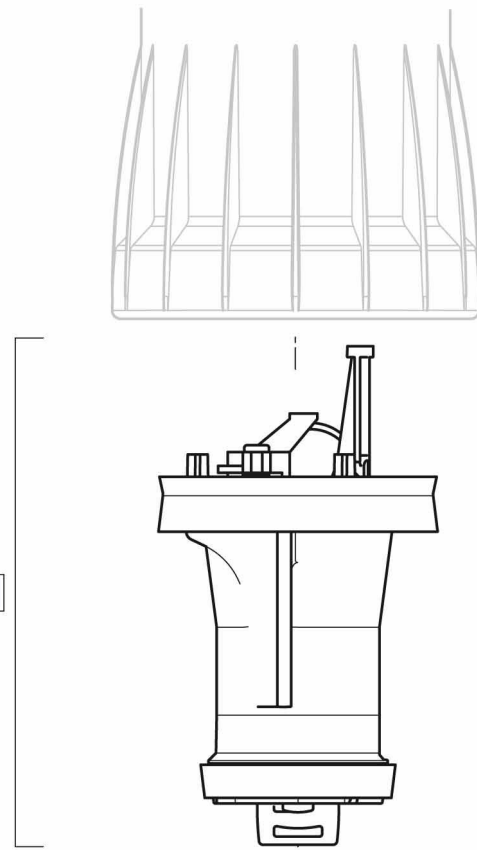
14 GPM - 1:100 - 1:10  
 3 m<sup>3</sup>/h - 1 - 10 %  
 7 - 85 psi  
 0.5 - 6 bar



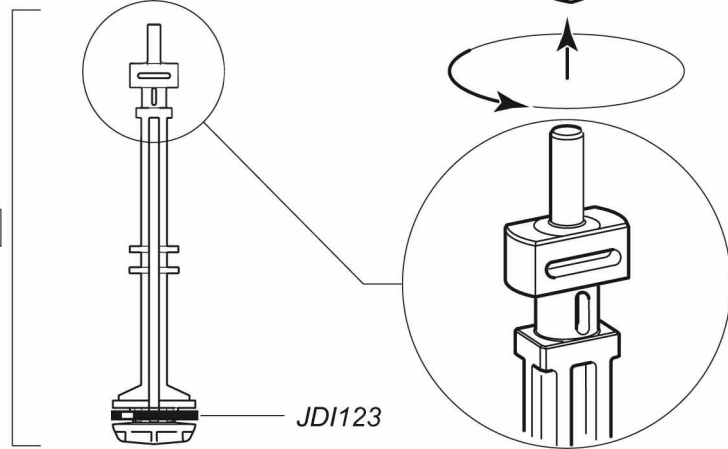
**D14MZ10-D  
Vehicle Wash**

14 GPM - 1:100 - 1:10  
3 m<sup>3</sup>/h - 1 - 10 %  
7 - 85 psi  
0.5 - 6 bar

PCDI030

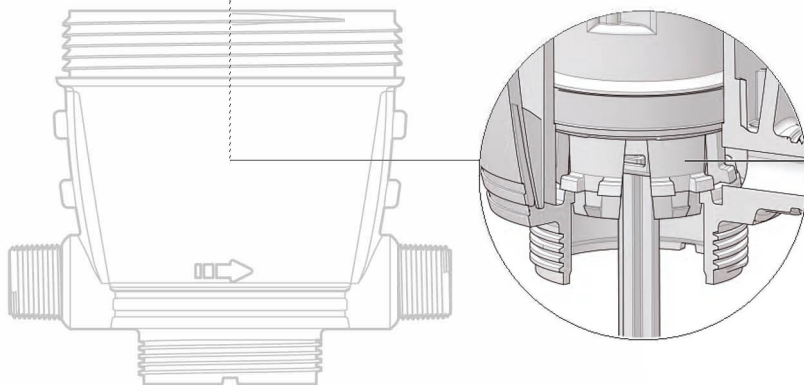


PJDI121



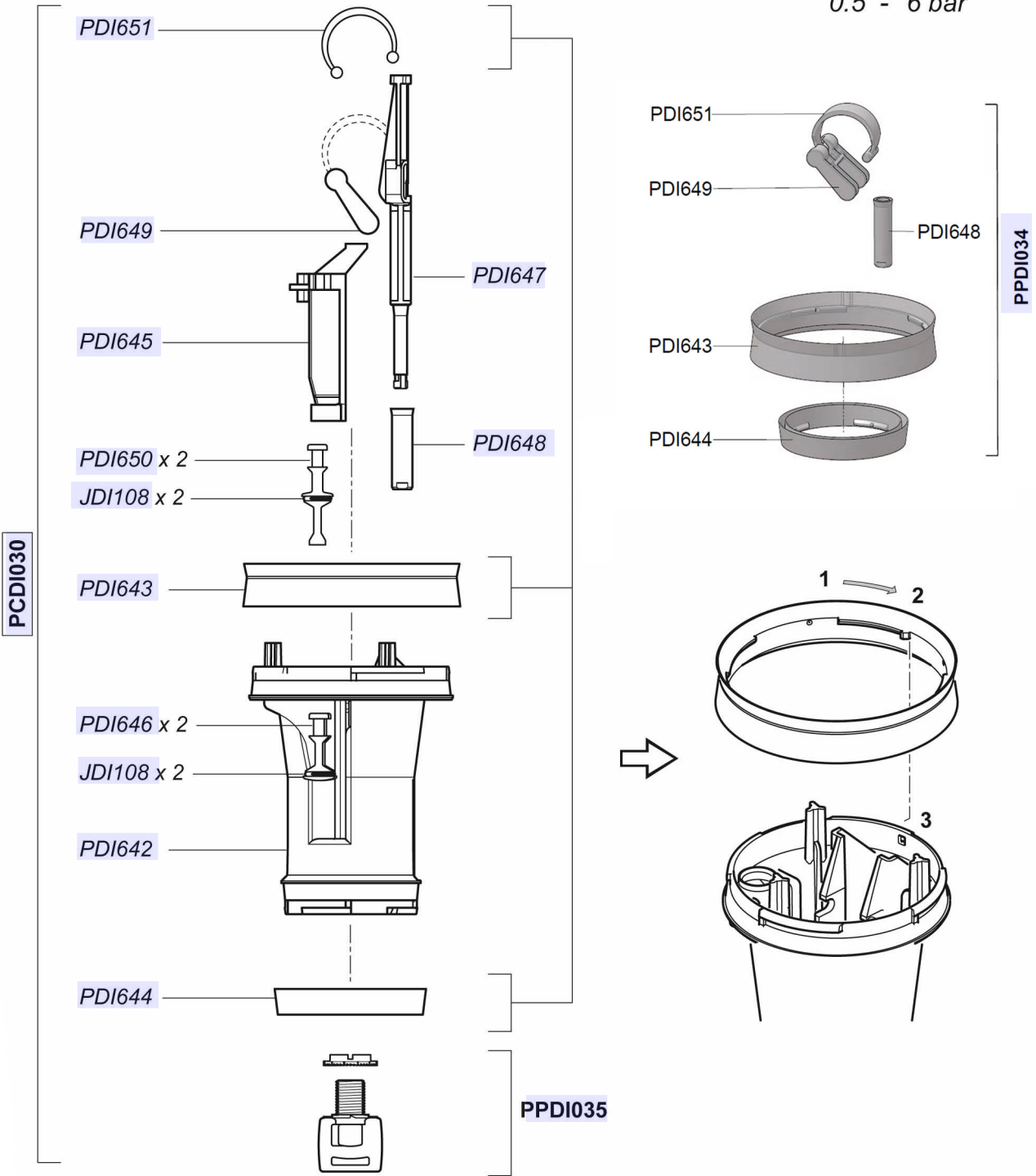
JDI123

PDI1135



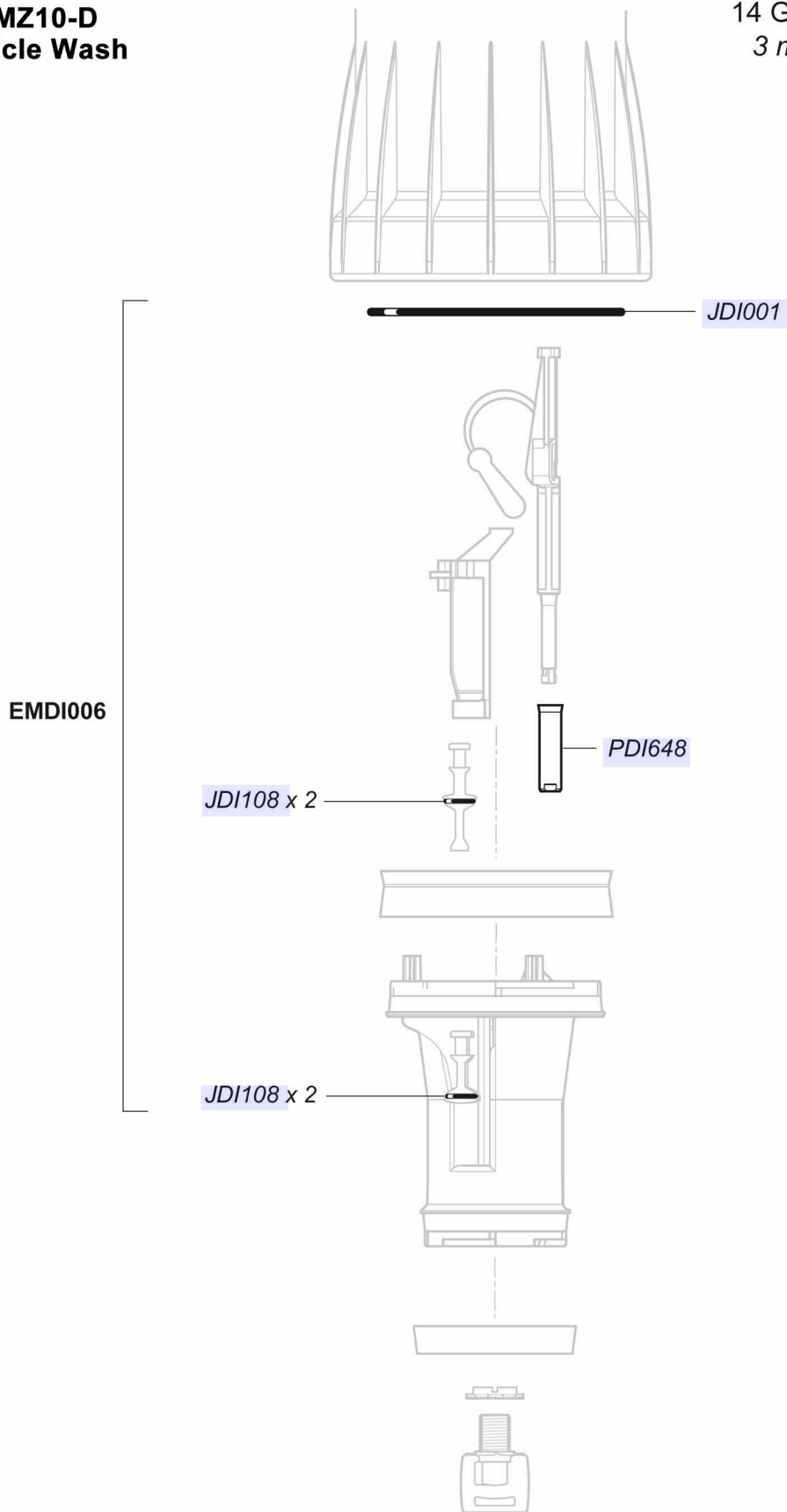
**D14MZ10-D  
Vehicle Wash**

14 GPM - 1:100 - 1:10  
 3 m<sup>3</sup>/h - 1 - 10 %  
 7 - 85 psi  
 0.5 - 6 bar



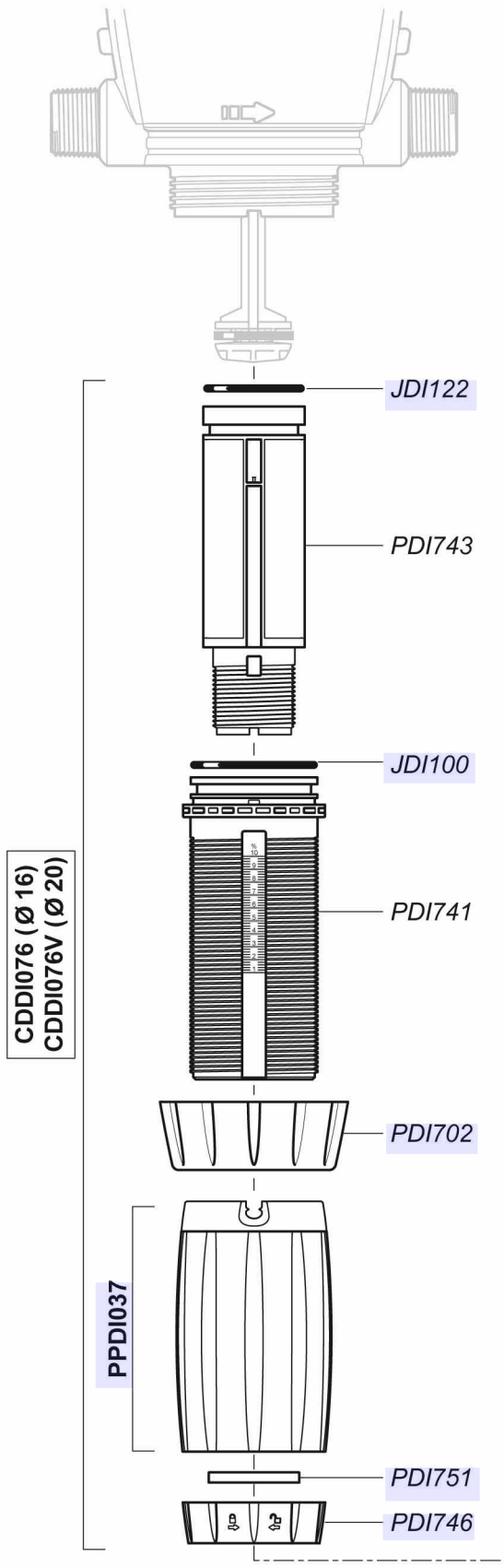
**D14MZ10-D  
Vehicle Wash**

14 GPM - 1:100 - 1:10  
3 m<sup>3</sup>/h - 1 - 10 %  
7 - 85 psi  
0.5 - 6 bar

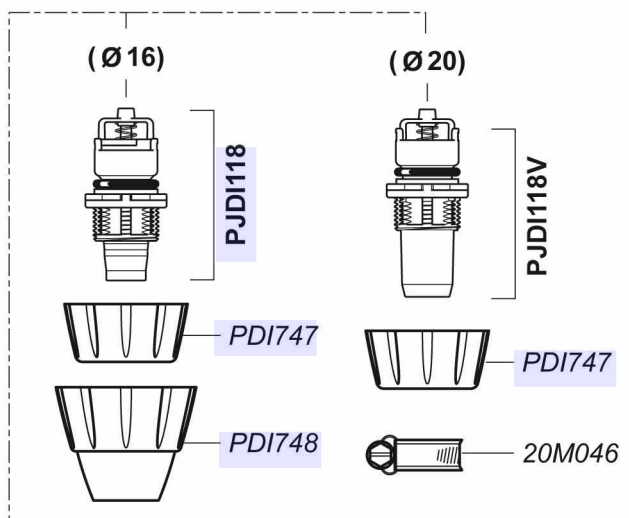


**D14MZ10-D  
Vehicle Wash**

14 GPM - 1:100 - 1:10  
 3 m<sup>3</sup>/h - 1 -10 %  
 7 - 85 psi  
 0.5 - 6 bar



**Option "V"**

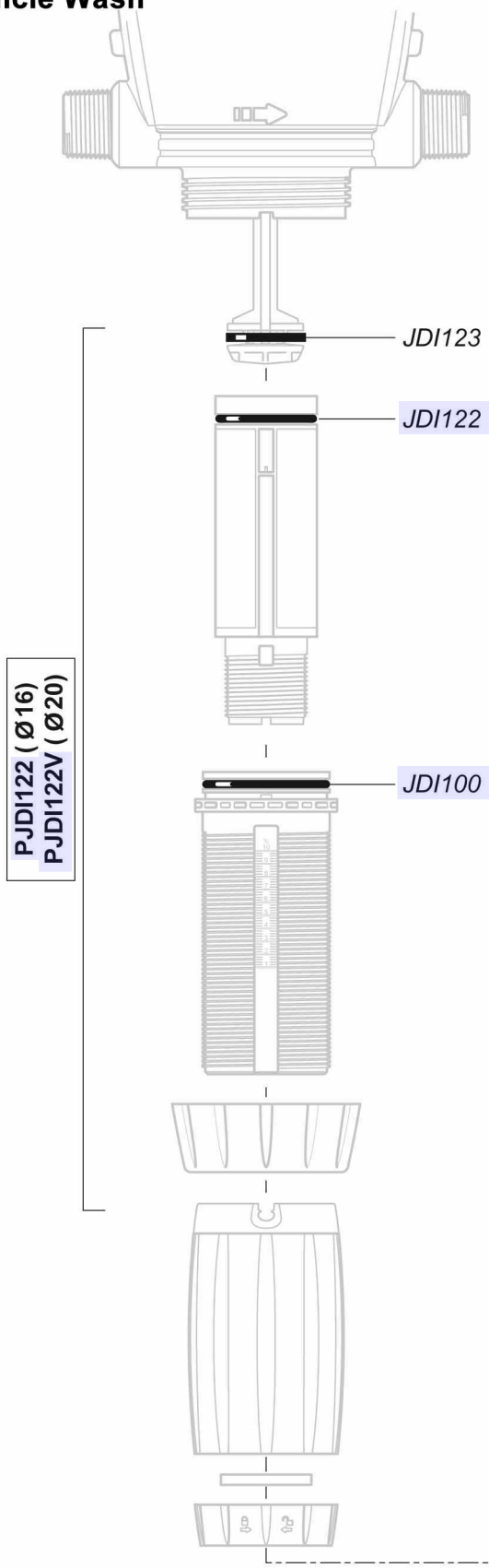


**D**

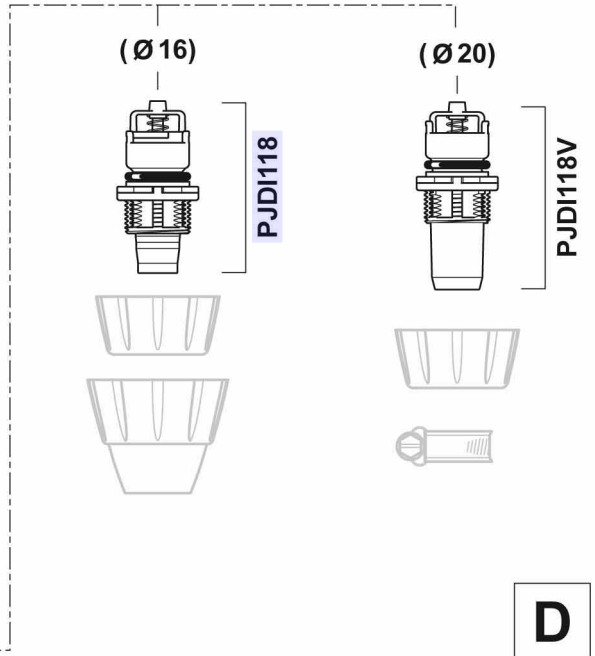


**D14MZ10-D  
Vehicle Wash**

14 GPM - 1:100 - 1:10  
 3 m<sup>3</sup>/h - 1 - 10 %  
 7 - 85 psi  
 0.5 - 6 bar



**Option "V"**



**D14MZ10-D  
Vehicle Wash**

14 GPM - 1:100 - 1:10  
 3 m<sup>3</sup>/h - 1 -10 %  
 7 - 85 psi  
 0.5 - 6 bar

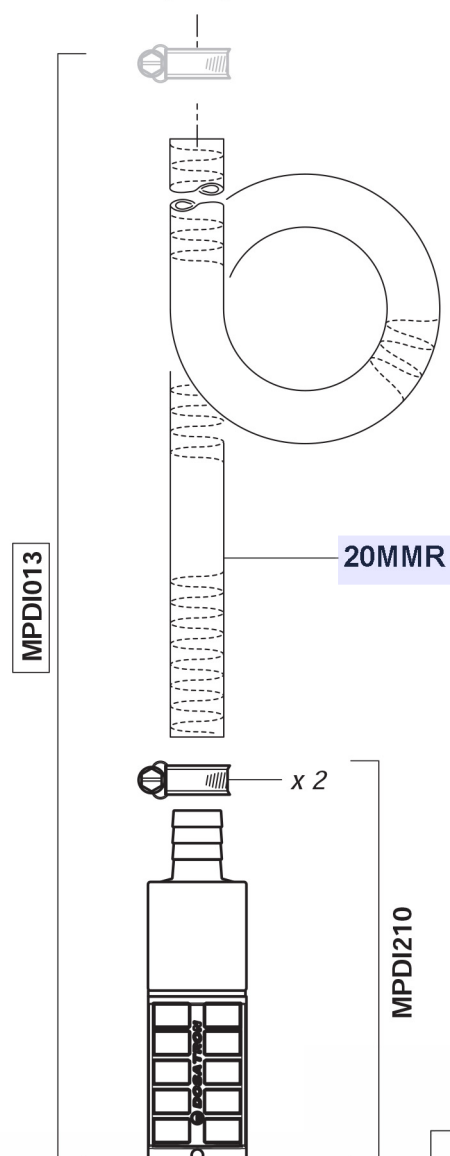
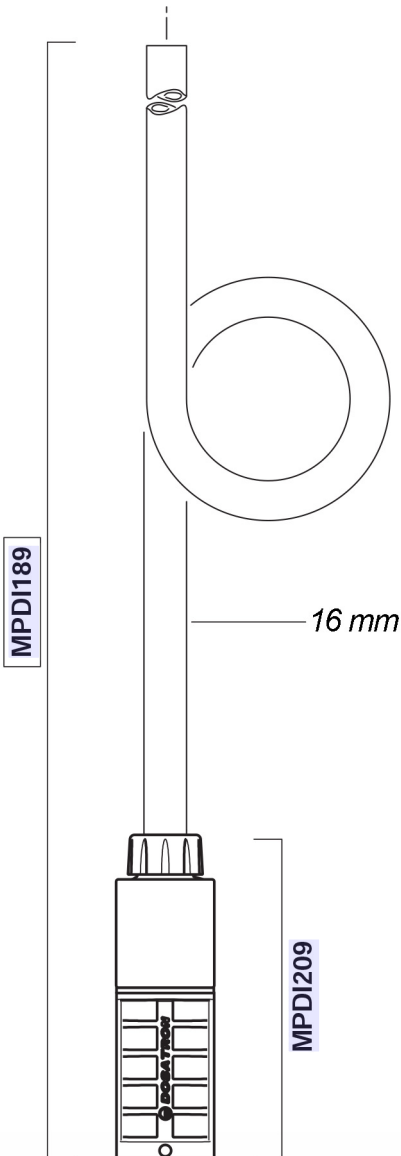


(Ø16)



(Ø20)

**Option "V"**



**A**