



# DOSATRON®

WATER POWERED DOSING TECHNOLOGY



## D14WL3000NIEAF - 14 GPM INTERACTIVE SCHEMATICS

### UNIT SPECIFICATIONS

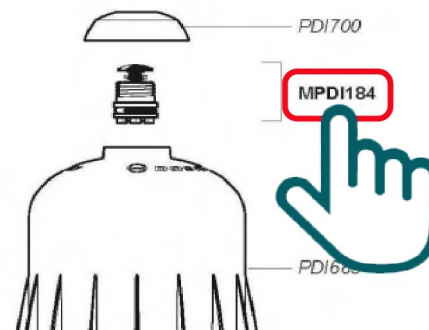
- 1:3000 - 1:333
- 7.3 - 85 PSI
- 3/4" NPT Connection

### SUGGESTED INSTALLATION

- 200 mesh/80 micron water filter prior to the unit
- One-way check valve down-stream from the unit for water hammer protection

### DOCUMENT INSTRUCTIONS

- Click on a part #, to visit item page
- Click arrow back from item page, to return to this document



# D14WL3000NIEAF



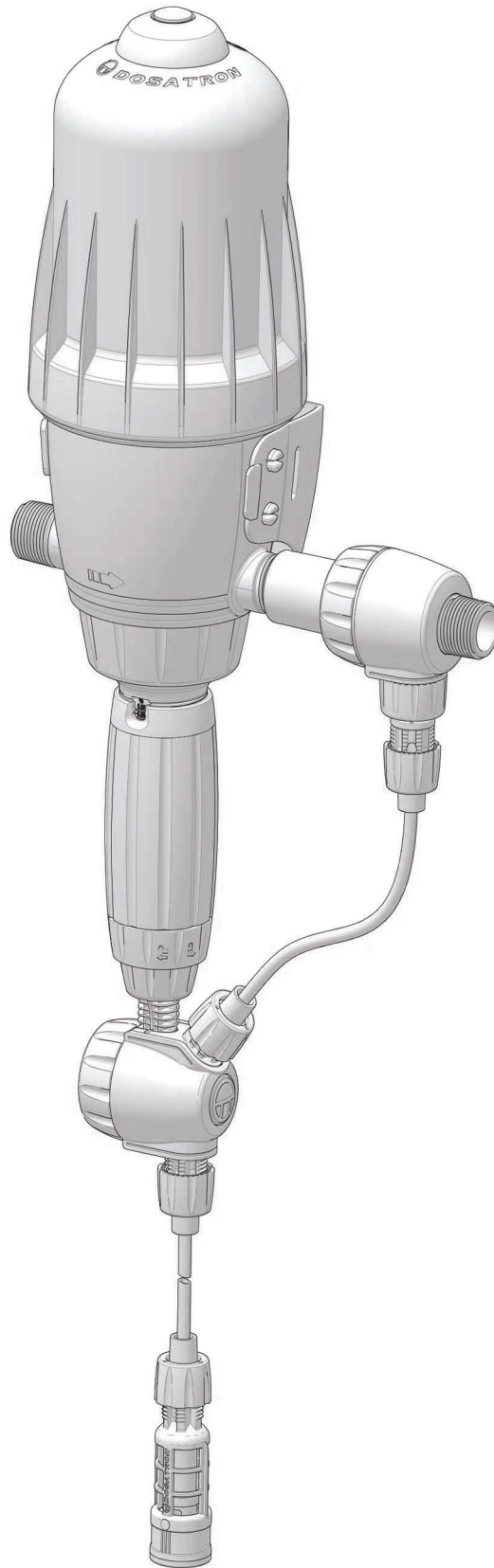
Certified to  
NSF/ANSI 61 & 372

14 GPM - 1:3000 - 1:333

$3m^3/h$  - 0.03 - 0.3%

0.5 - 6 bar

7.3 - 85 psi

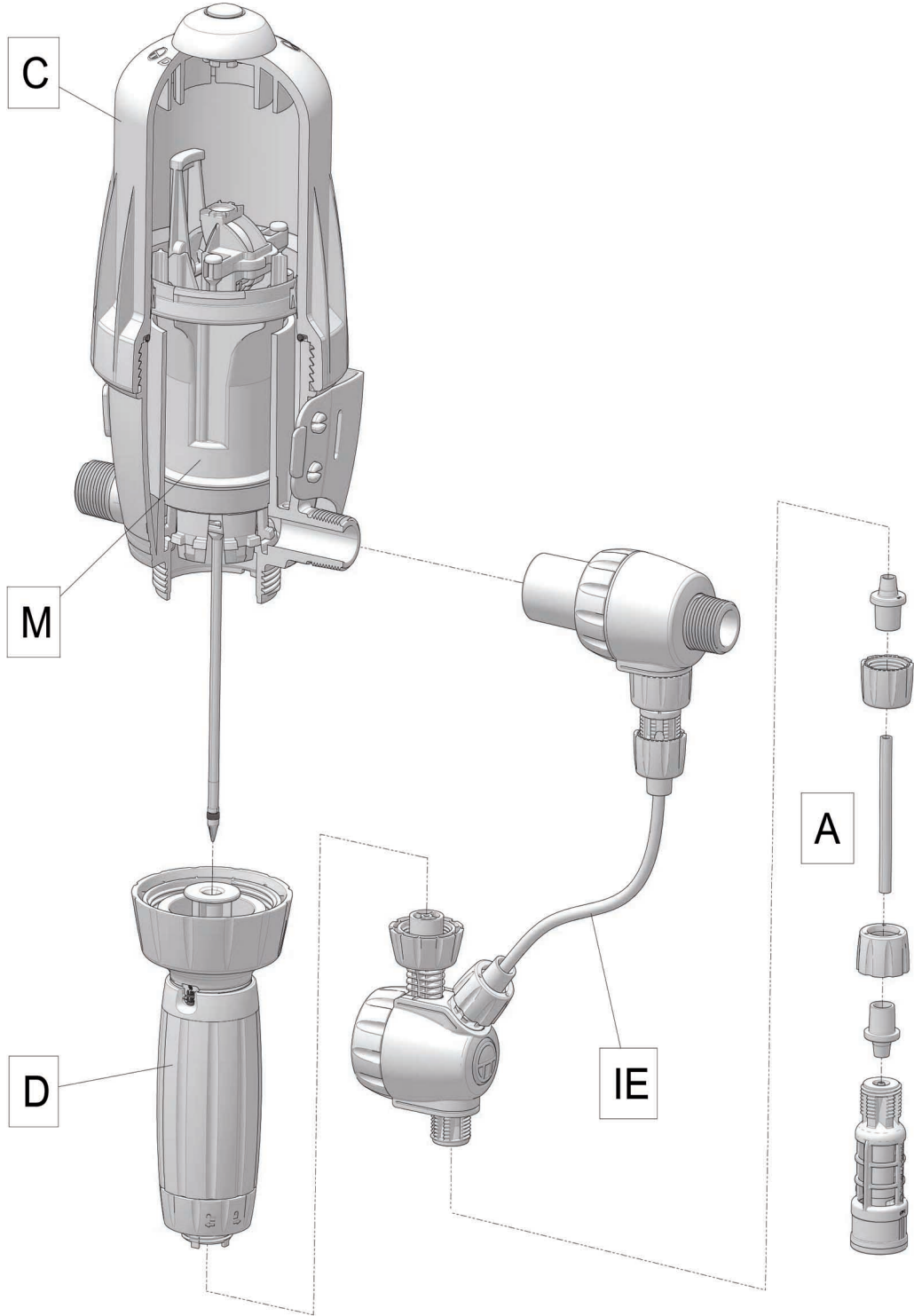


# D14WL3000NIEAF

14 GPM - 1:3000 - 1:333  
3m<sup>3</sup>/h - 0.03 - 0.3%  
0.5 - 6 bar  
7.3 - 85 psi



Certified to  
NSF/ANSI 61 & 372



# D14WL3000NIEAF



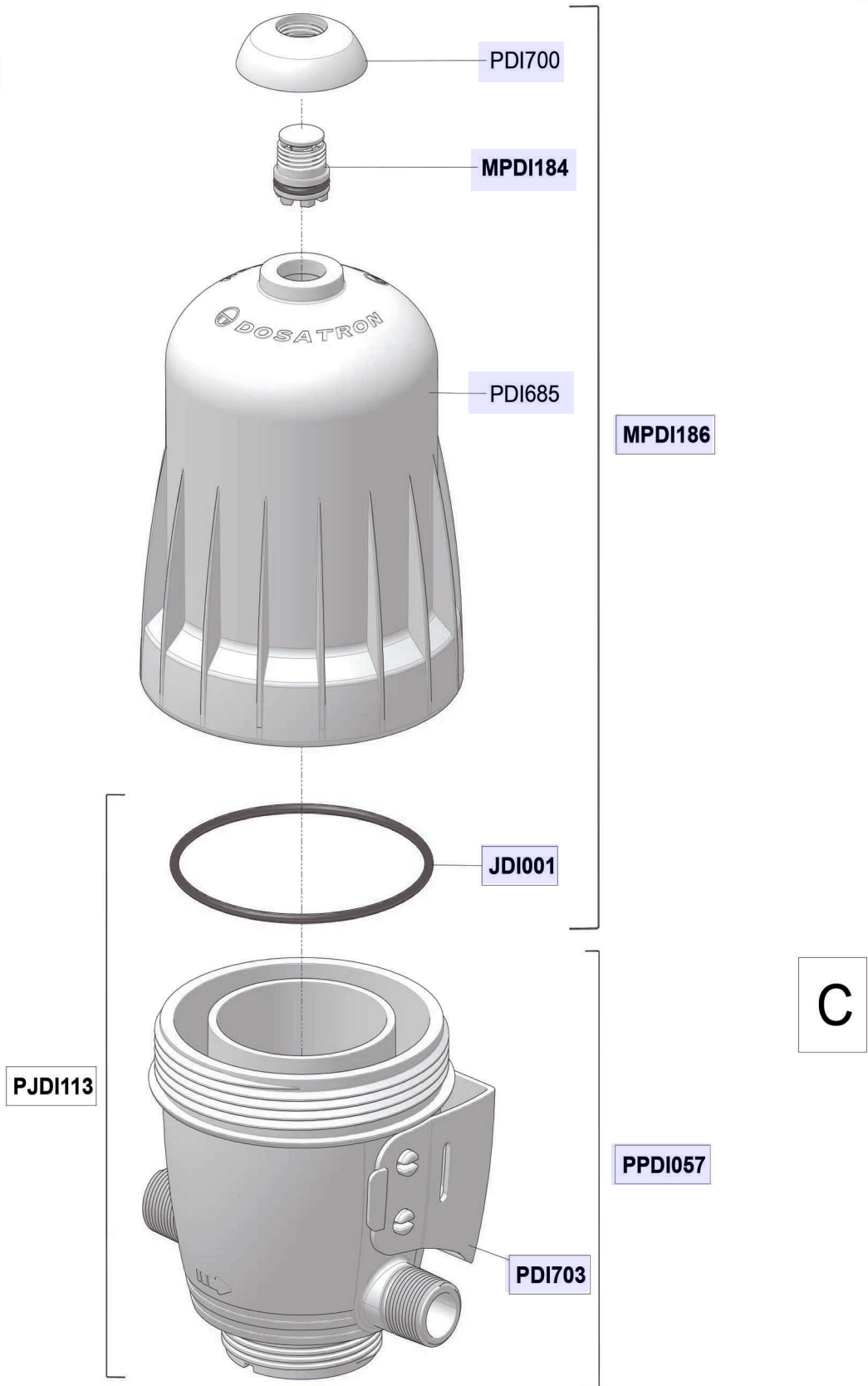
Certified to  
NSF/ANSI 61 & 372

14 GPM - 1:3000 - 1:333

$3m^3/h - 0.03 - 0.3\%$

0.5 - 6 bar

7.3 - 85 psi



# D14WL3000NIEAF



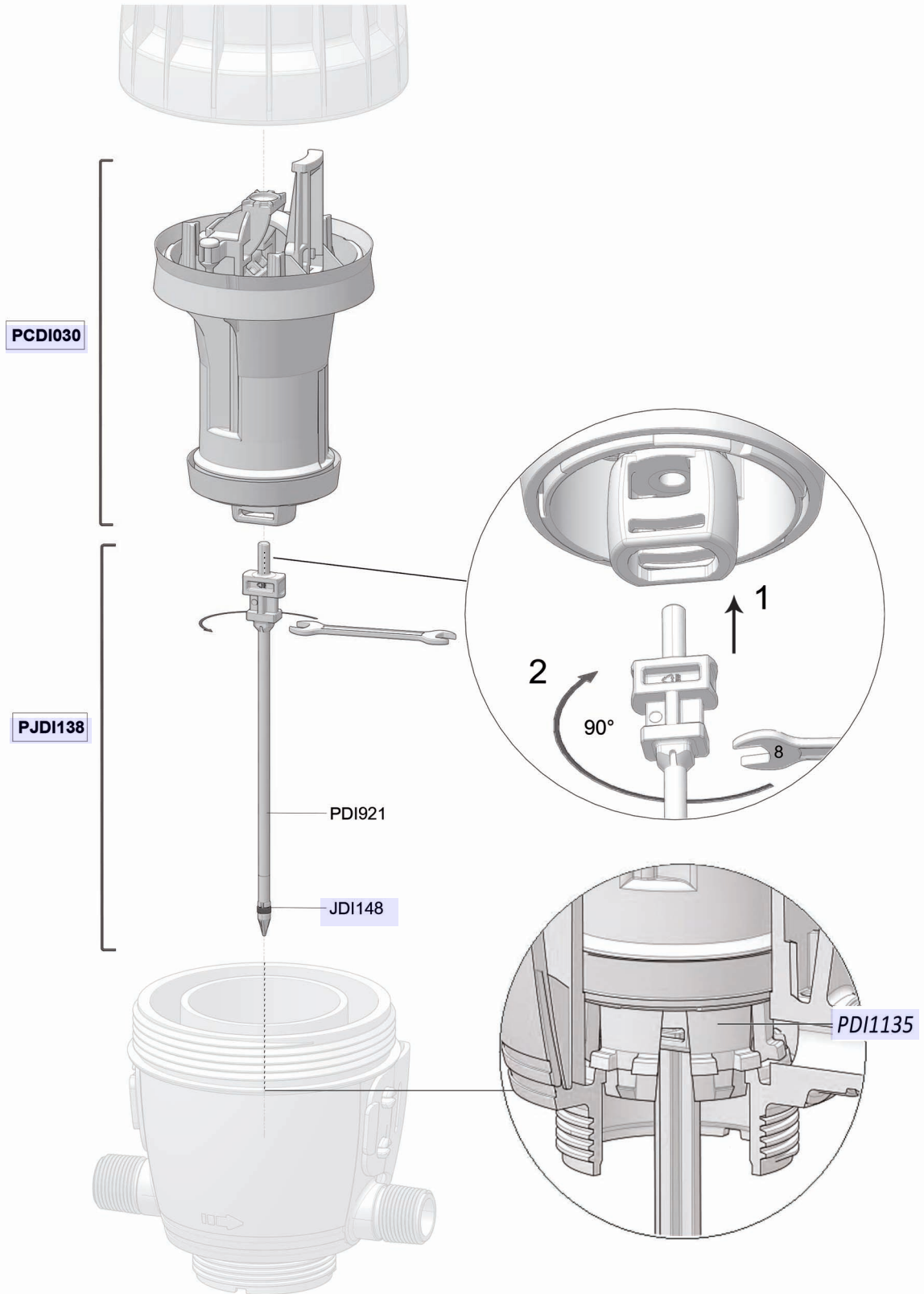
Certified to  
NSF/ANSI 61 & 372

14 GPM - 1:3000 - 1:333

$3m^3/h - 0.03 - 0.3\%$

0.5 - 6 bar

7.3 - 85 psi



# D14WL3000NIEAF



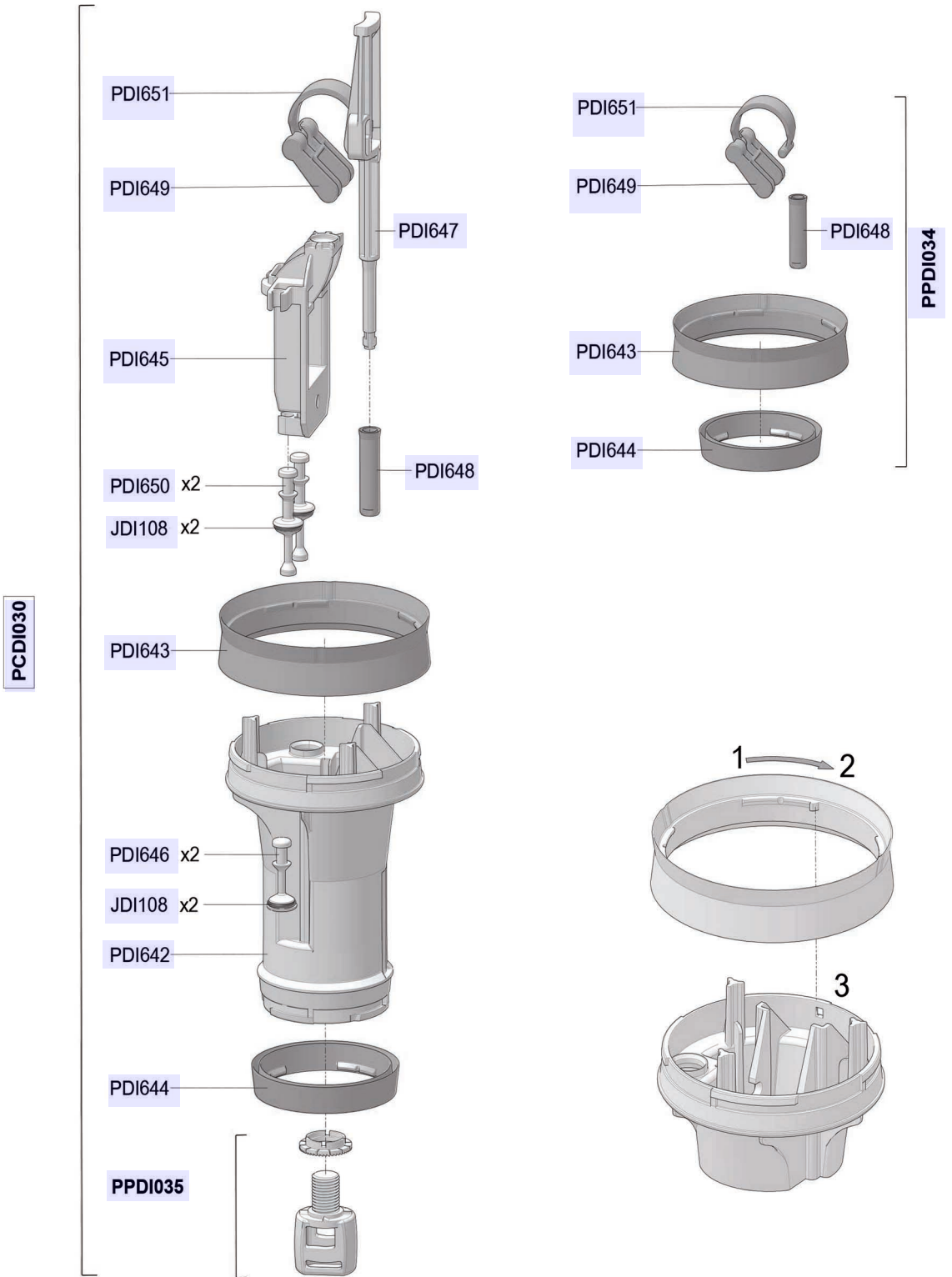
Certified to  
NSF/ANSI 61 & 372

14 GPM - 1:3000 - 1:333

3m<sup>3</sup>/h - 0.03 - 0.3%

0.5 - 6 bar

7.3 - 85 psi



© DOSATRON INTERNATIONAL S.A.S. 2015  
D14WL3000NIE/1015/D4

**M**

# D14WL3000NIEAF



Certified to  
NSF/ANSI 61 & 372

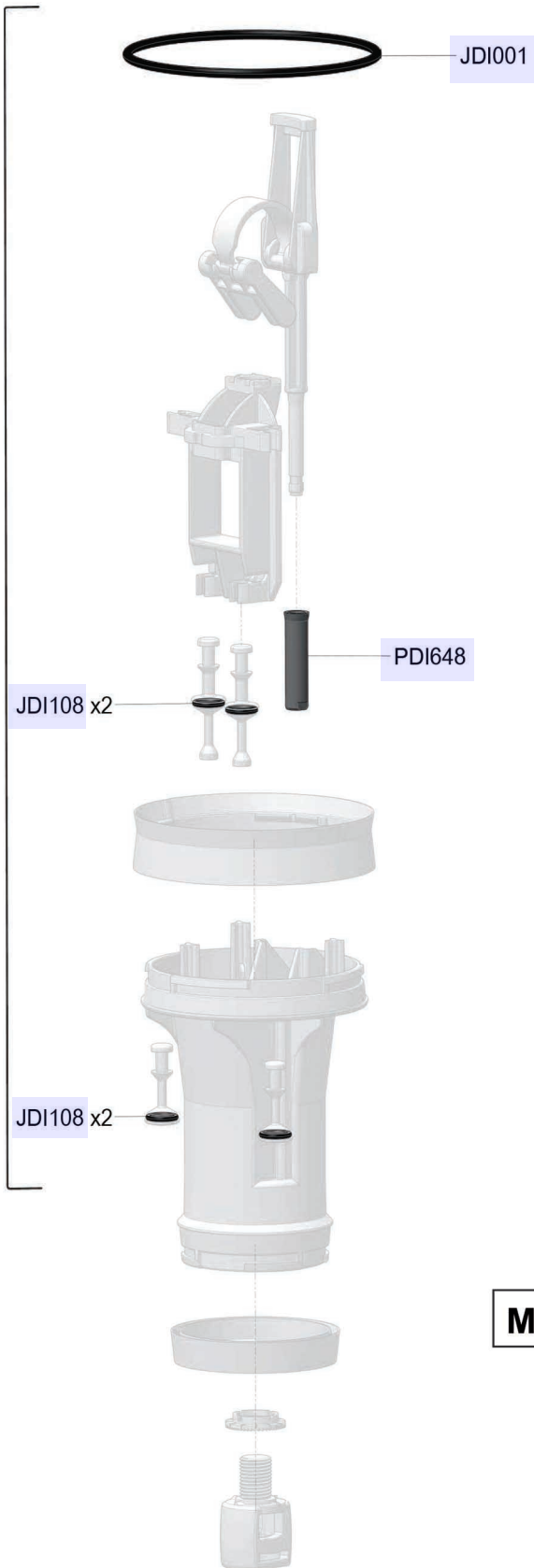
14 GPM - 1:3000 - 1:333

$3m^3/h - 0.03 - 0.3\%$

0.5 - 6 bar

7.3 - 85 psi

EMDI006



# D14WL3000NIEAF



Certified to  
NSF/ANSI 61 & 372

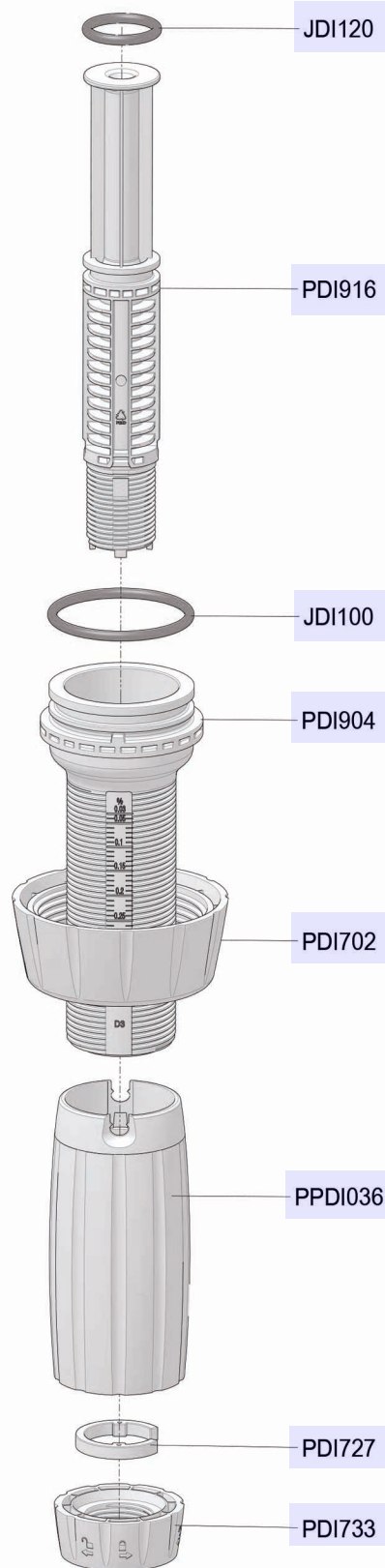
14 GPM - 1:3000 - 1:333

$3m^3/h - 0.03 - 0.3\%$

0.5 - 6 bar

7.3 - 85 psi

CDDI088



D



# D14WL3000NIEAF

14 GPM - 1:3000 - 1:333

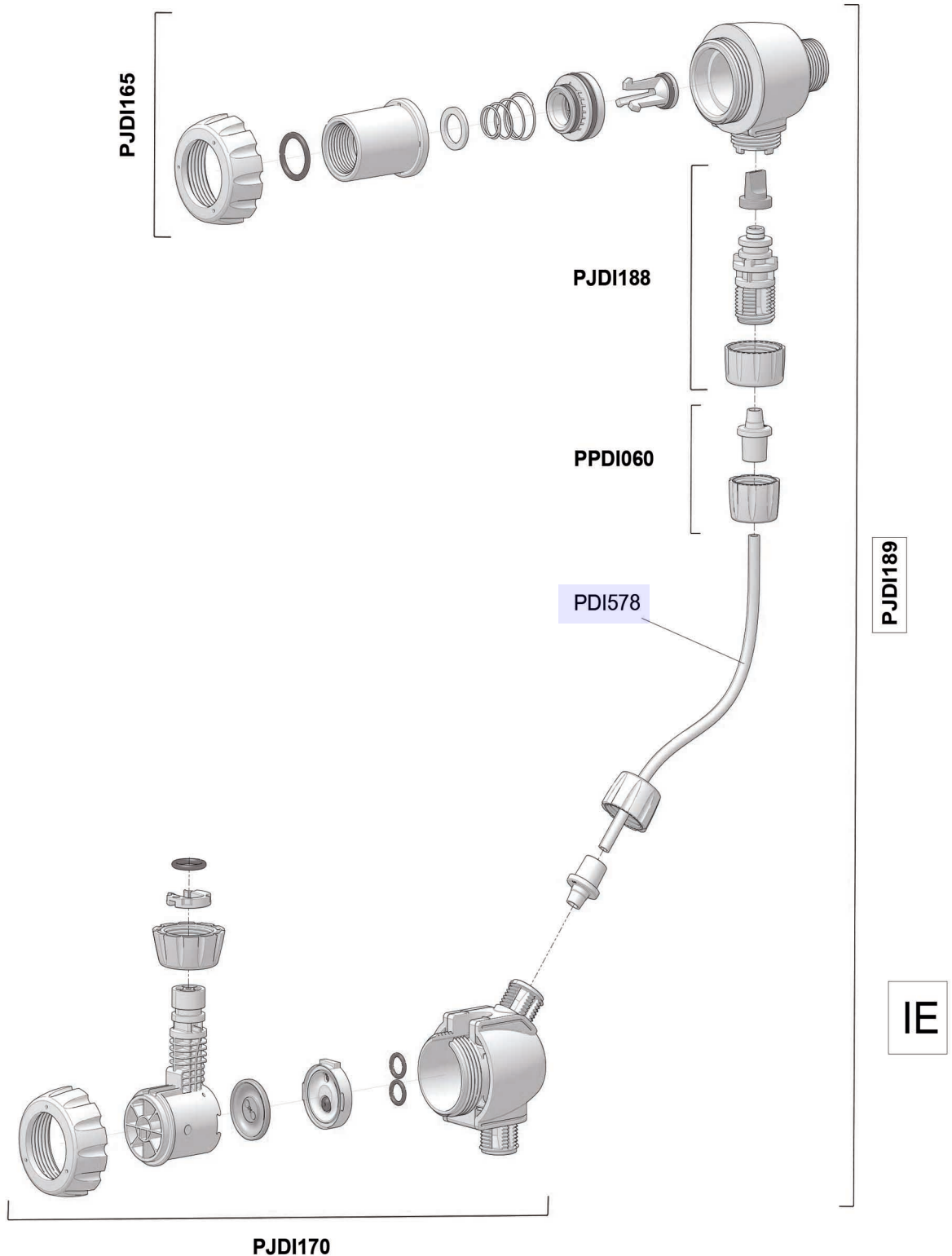
3m<sup>3</sup>/h - 0.03 - 0.3%

0.5 - 6 bar

7.3 - 85 psi



Certified to  
NSF/ANSI 61 & 372



# D14WL3000NIEAF



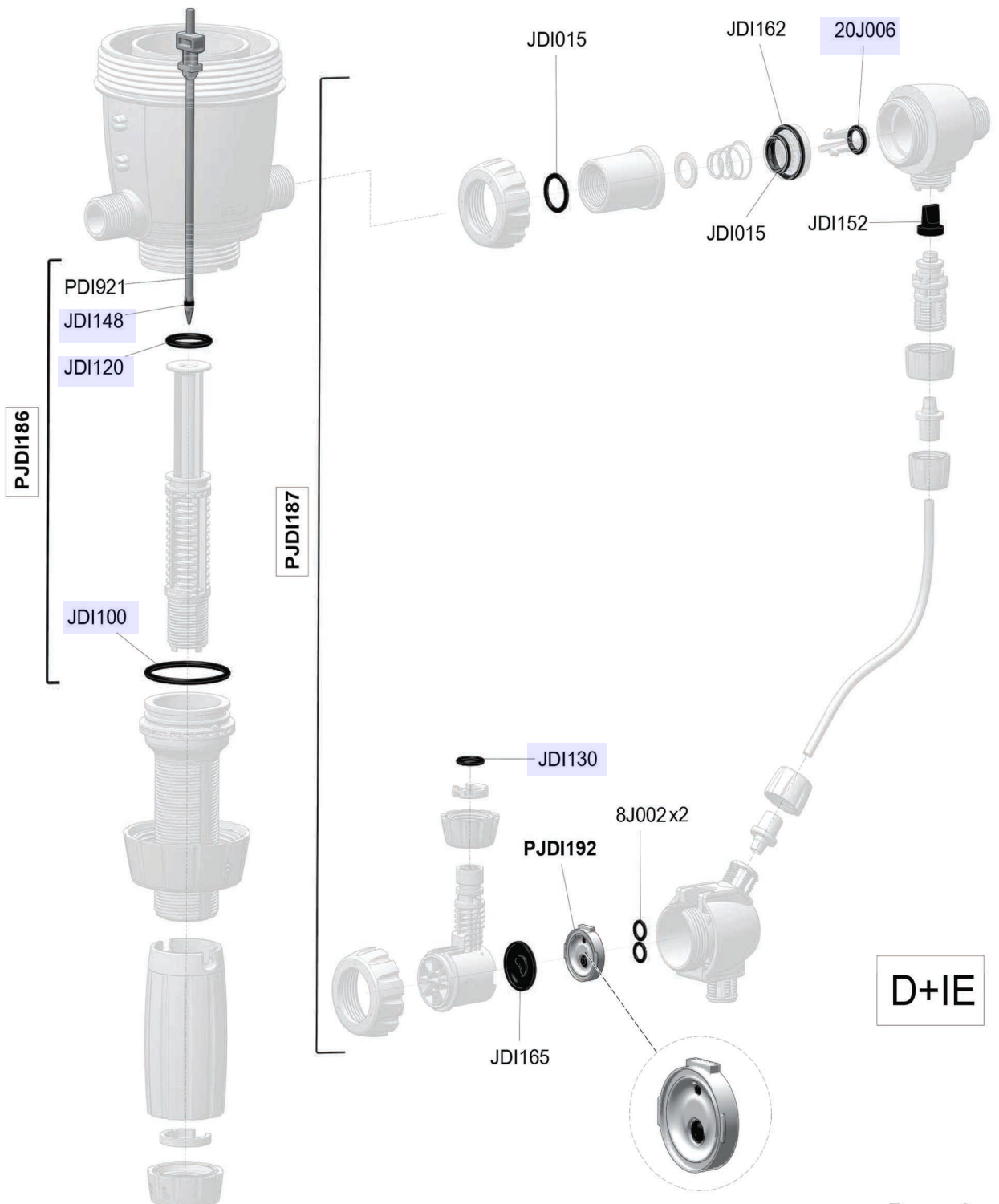
Certified to  
NSF/ANSI 61 & 372

14 GPM - 1:3000 - 1:333

3m<sup>3</sup>/h - 0.03 - 0.3%

0.5 - 6 bar

7.3 - 85 psi



D+IE

# D14WL3000NIEAF



Certified to  
NSF/ANSI 61 & 372

14 GPM - 1:3000 - 1:333

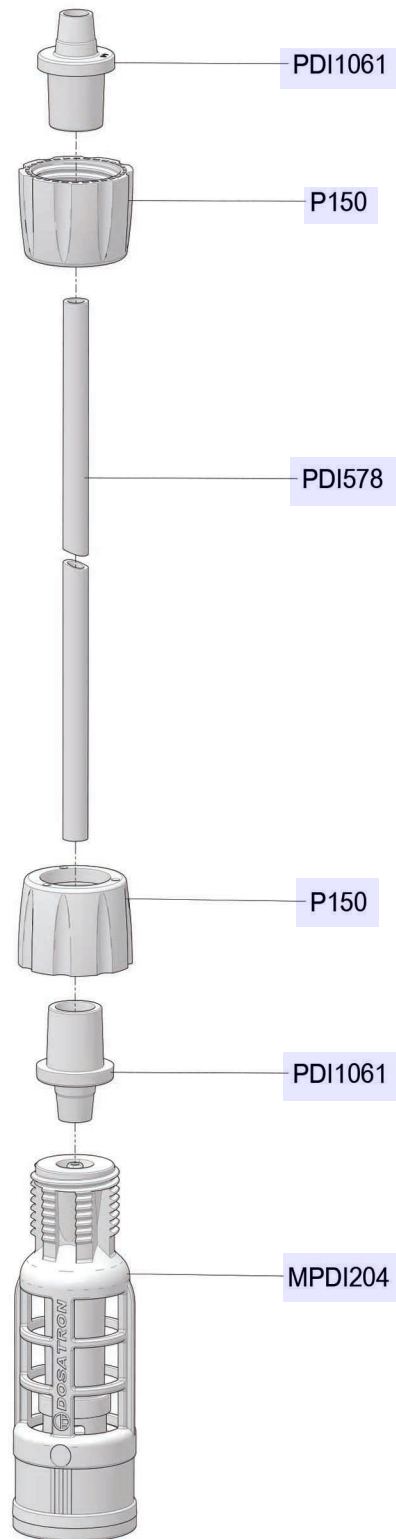
$3m^3/h - 0.03 - 0.3\%$

0.5 - 6 bar

7.3 - 85 psi

(Ø4)

MPDI205



A