



# DOSATRON®

WATER POWERED DOSING TECHNOLOGY



## DM11RE3 - 11 GPM INTERACTIVE SCHEMATICS

### UNIT SPECIFICATIONS

- 1:128 - 1:32
- 2.2 - 57 PSI
- 3/4" NPT Connection

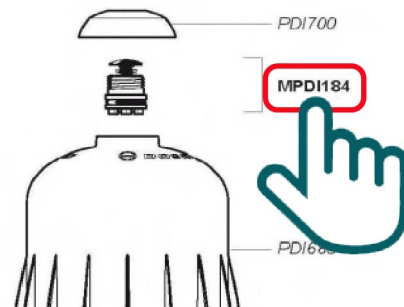
### SUGGESTED INSTALLATION

- 200 mesh/80 micron water filter prior to the unit
- One-way check valve down-stream from the unit for water hammer protection

### SUGGESTED MAINTENANCE

- Injection Seal Kit  
Part #: [PJDI154](#)  
For yearly maintenance

### DOCUMENT INSTRUCTIONS

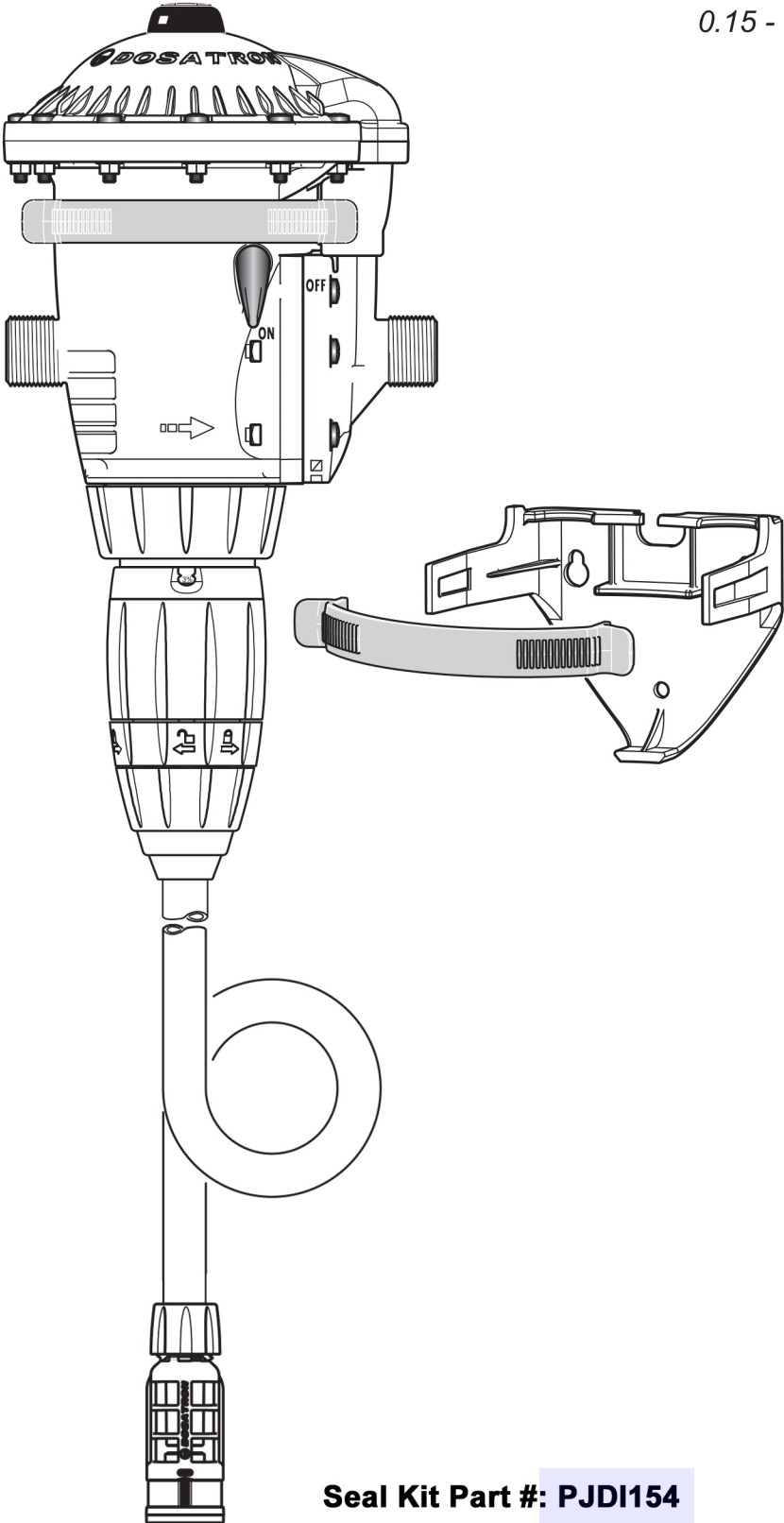


- Click on a part #, to visit item page
- Click arrow back from item page, to return to this document



# DM11RE3

11 GPM - 1:128 - 1:32  
2.5 m<sup>3</sup>/h - 0.8% - 3%  
2.2 - 57 psi  
0.15 - 4 bar

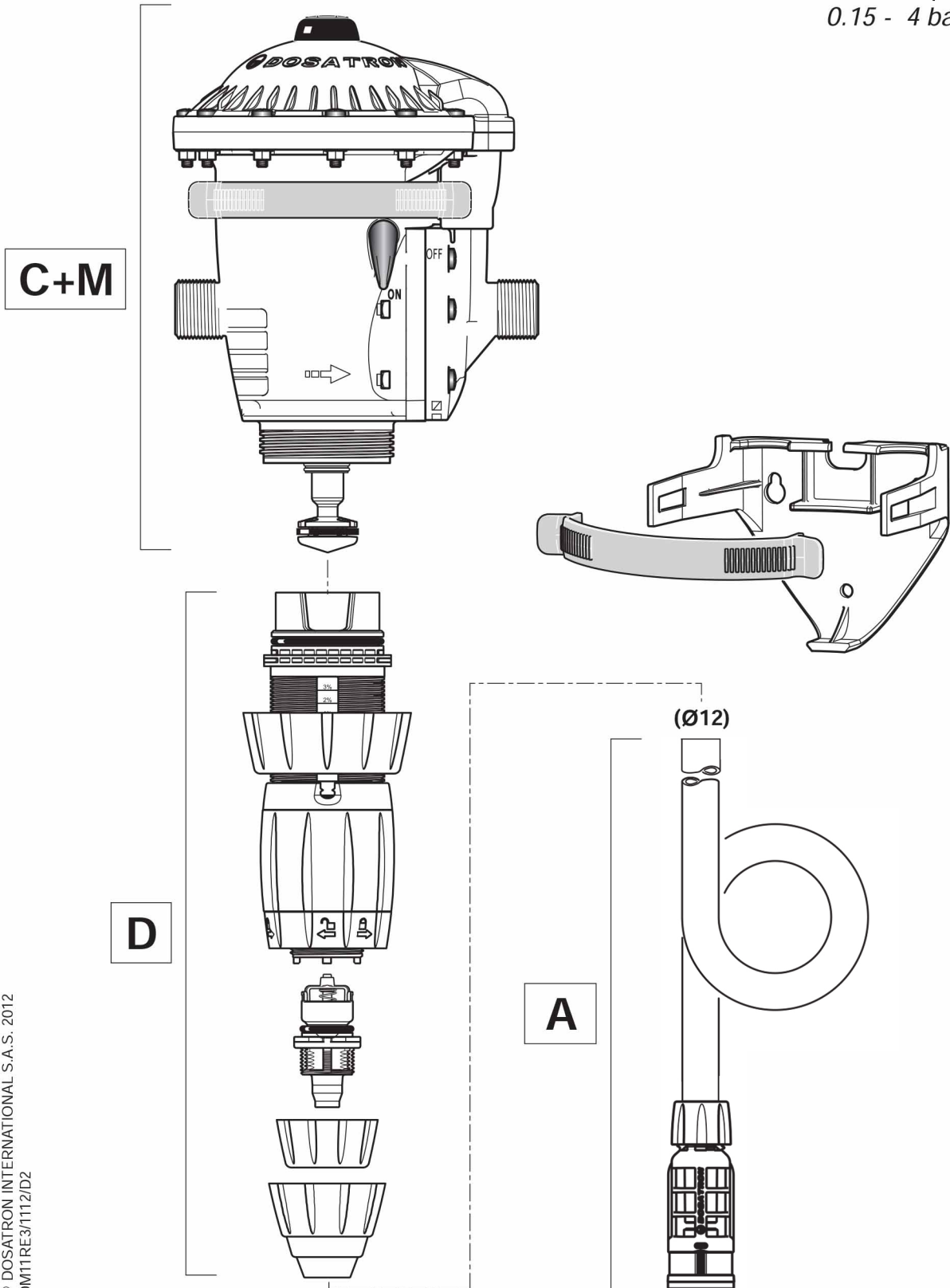


© DOSATRON INTERNATIONAL S.A.S. 2012  
DM11RE3/112/D1

**Seal Kit Part #: PJDI154**

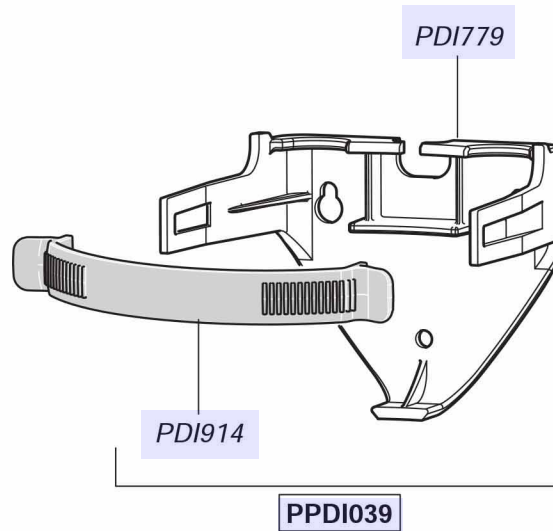
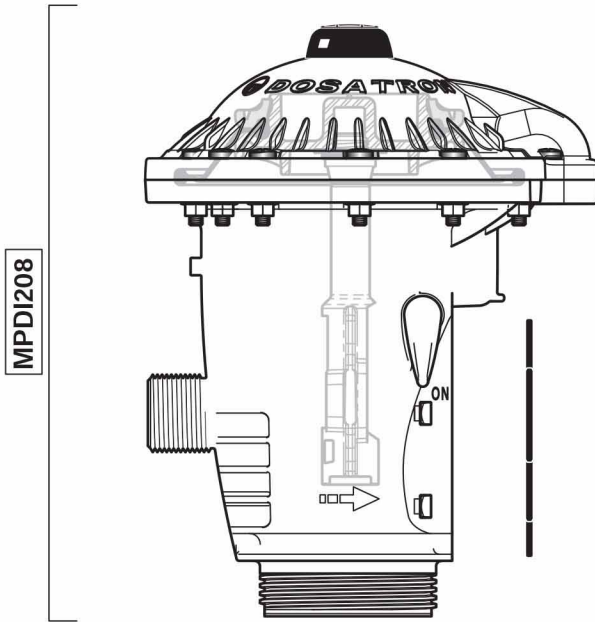
# DM11RE3

11 GPM - 1:128 - 1:32  
2.5 m<sup>3</sup>/h - 0.8% - 3%  
2.2 - 57 psi  
0.15 - 4 bar



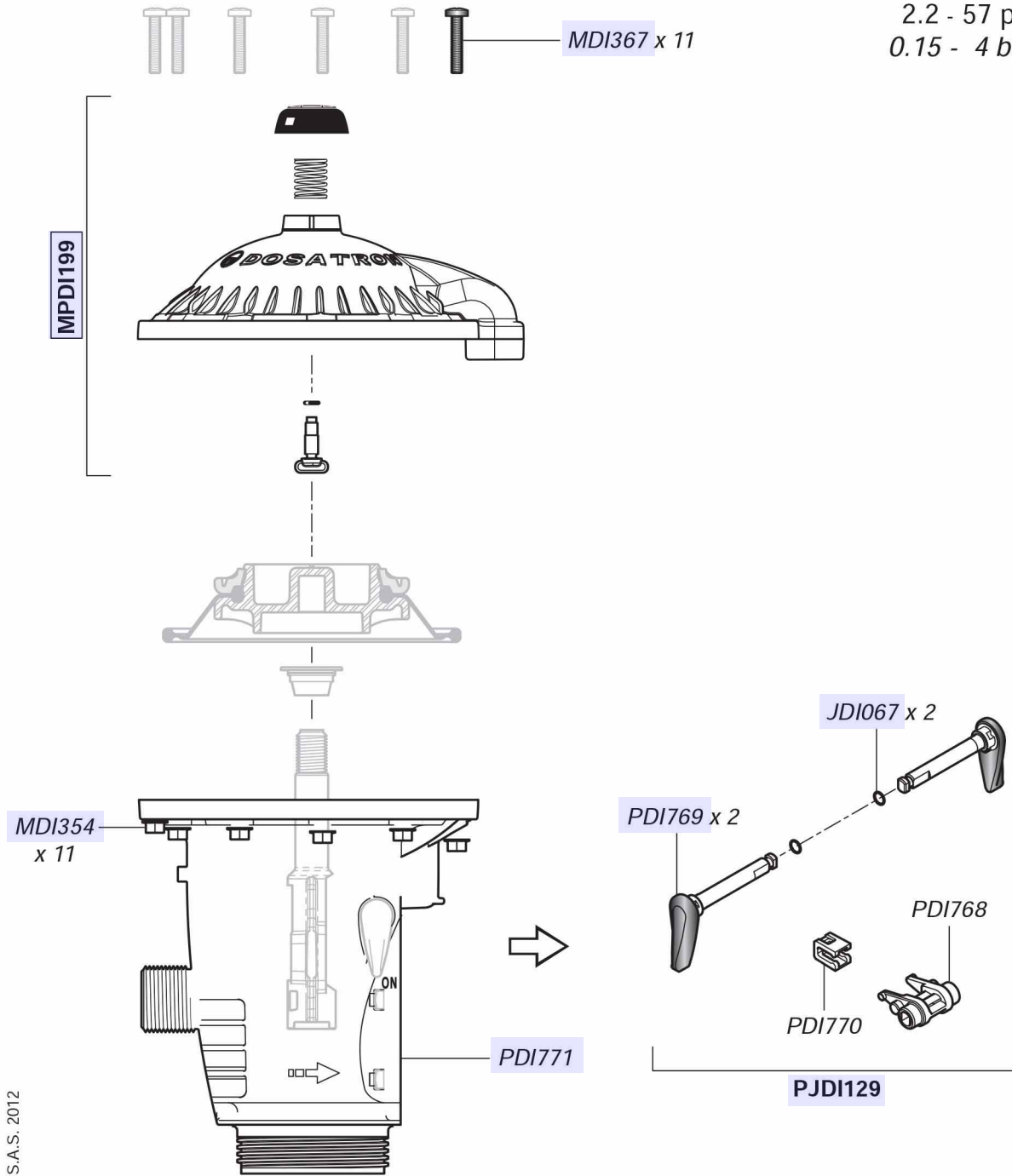
# DM11RE3

11 GPM - 1:128 - 1:32  
2.5 m<sup>3</sup>/h - 0.8% - 3%  
2.2 - 57 psi  
0.15 - 4 bar



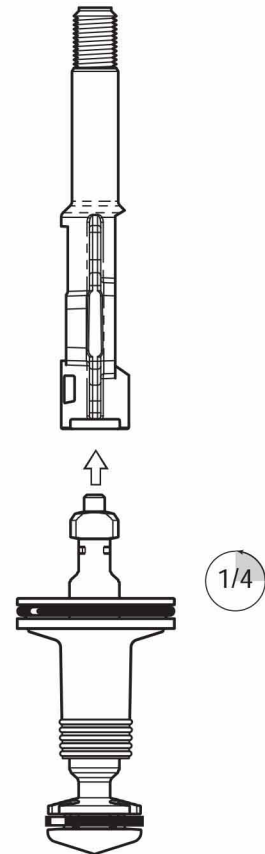
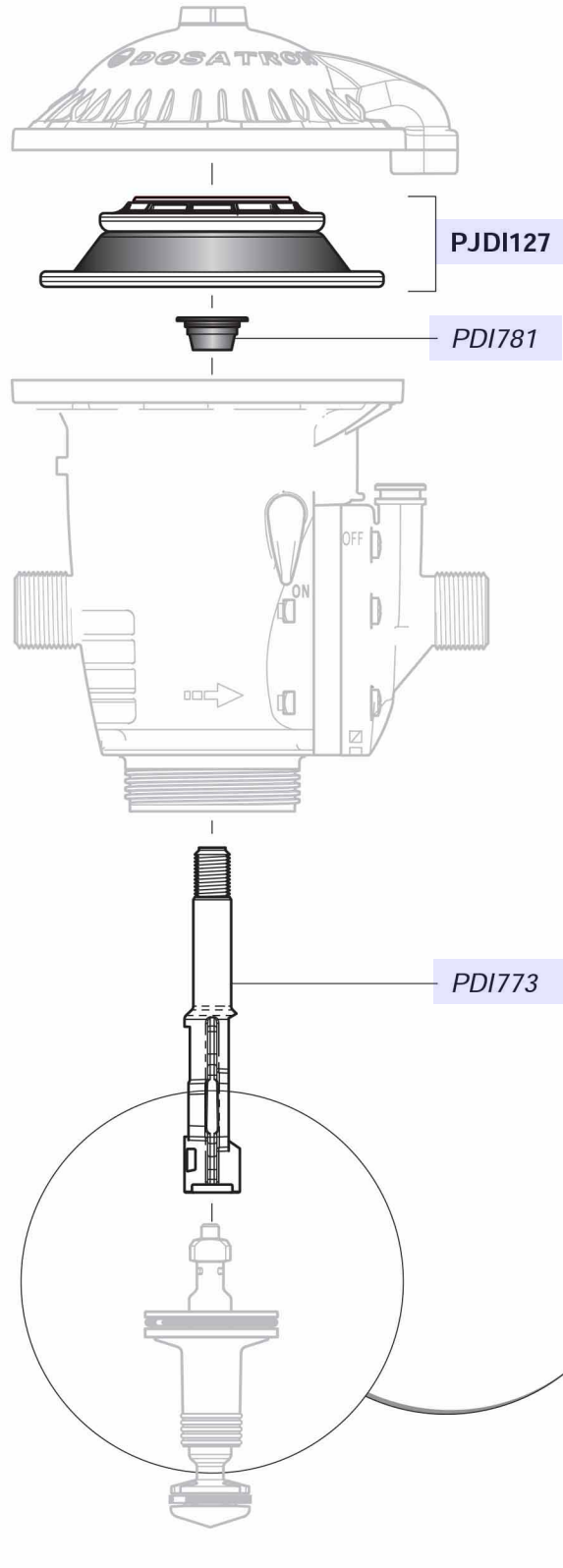
# DM11RE3

11 GPM - 1:128 - 1:32  
2.5 m<sup>3</sup>/h - 0.8% - 3%  
2.2 - 57 psi  
0.15 - 4 bar



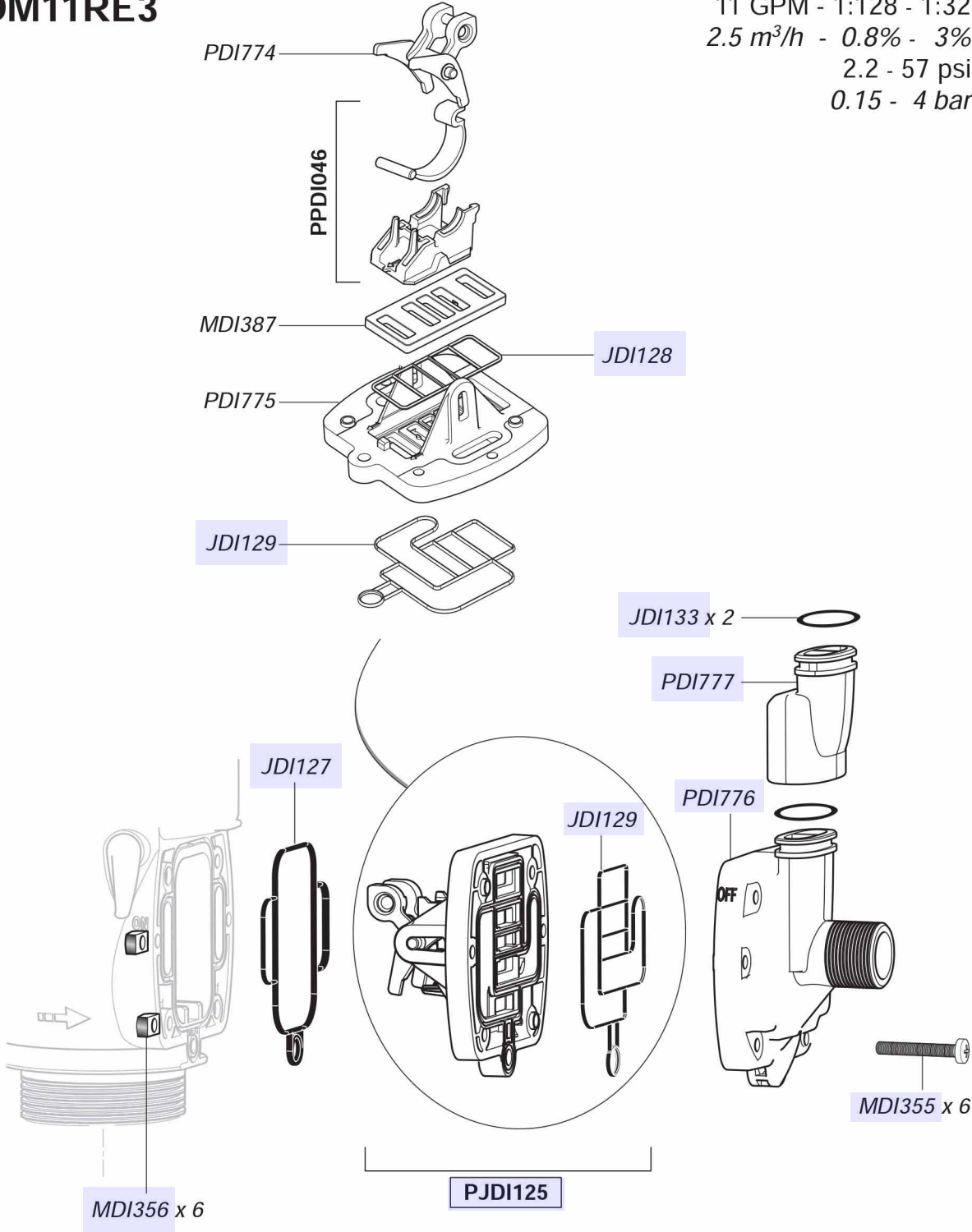
# DM11RE3

11 GPM - 1:128 - 1:32  
2.5 m<sup>3</sup>/h - 0.8% - 3%  
2.2 - 57 psi  
0.15 - 4 bar



# DM11RE3

11 GPM - 1:128 - 1:32  
 2.5 m<sup>3</sup>/h - 0.8% - 3%  
 2.2 - 57 psi  
 0.15 - 4 bar

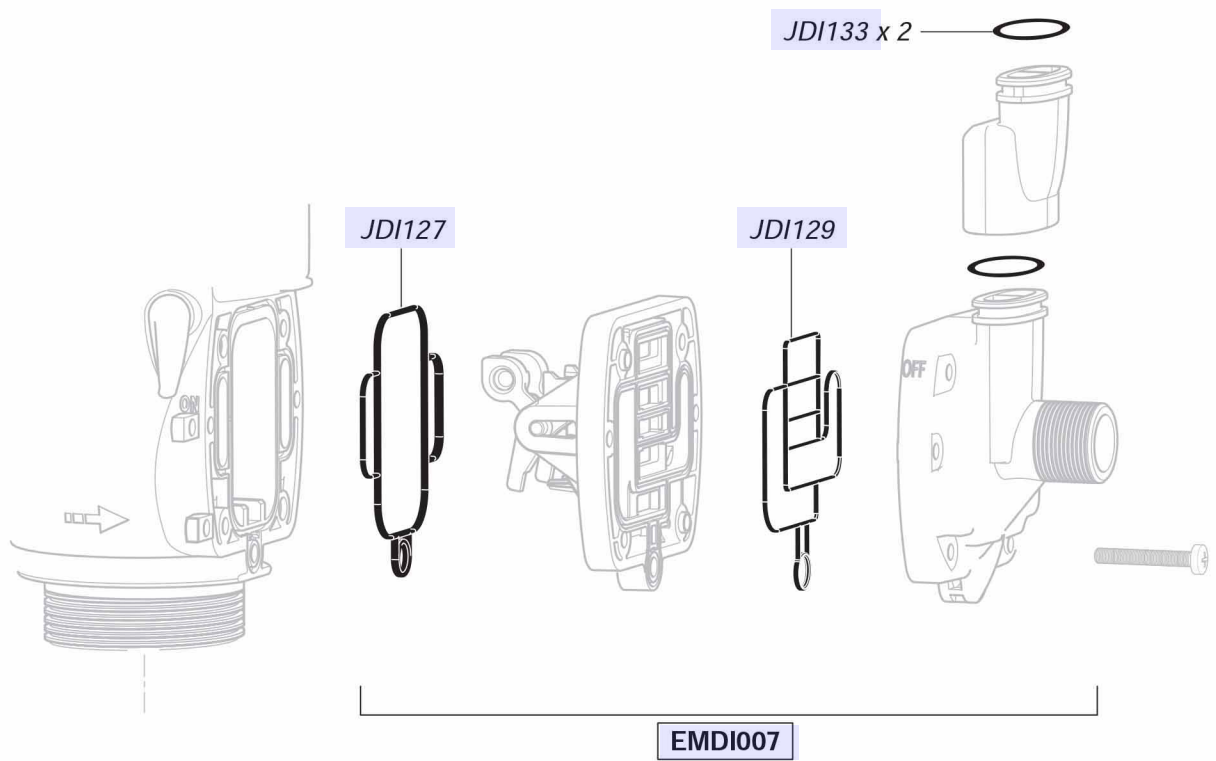


© DOSATRON INTERNATIONAL S.A.S. 2012  
 DM11RE3/1112/D6



# DM11RE3

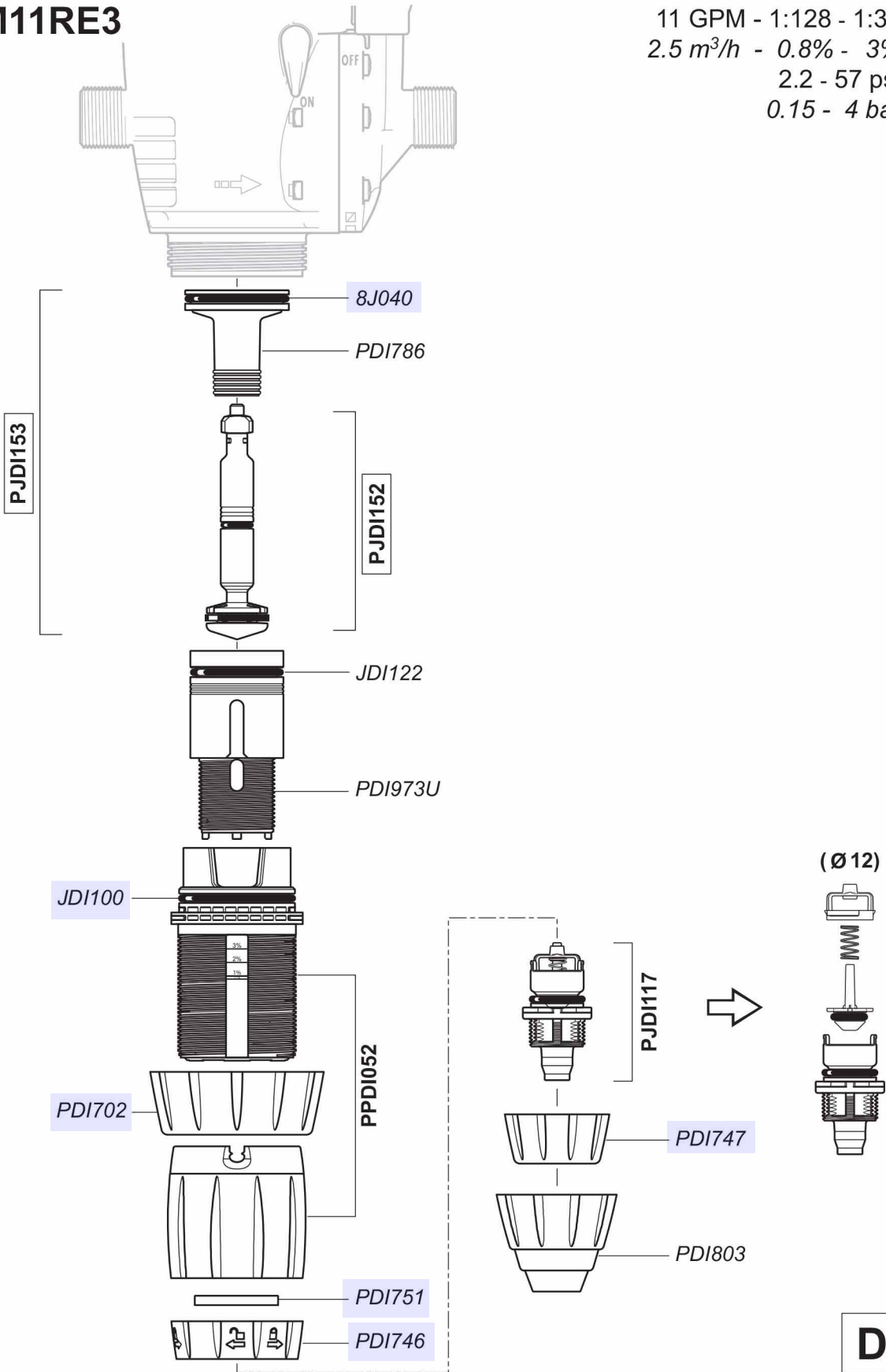
11 GPM - 1:128 - 1:32  
2.5 m<sup>3</sup>/h - 0.8% - 3%  
2.2 - 57 psi  
0.15 - 4 bar





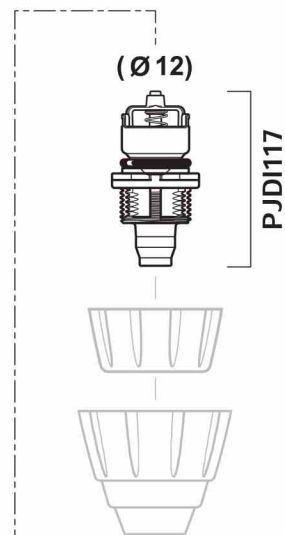
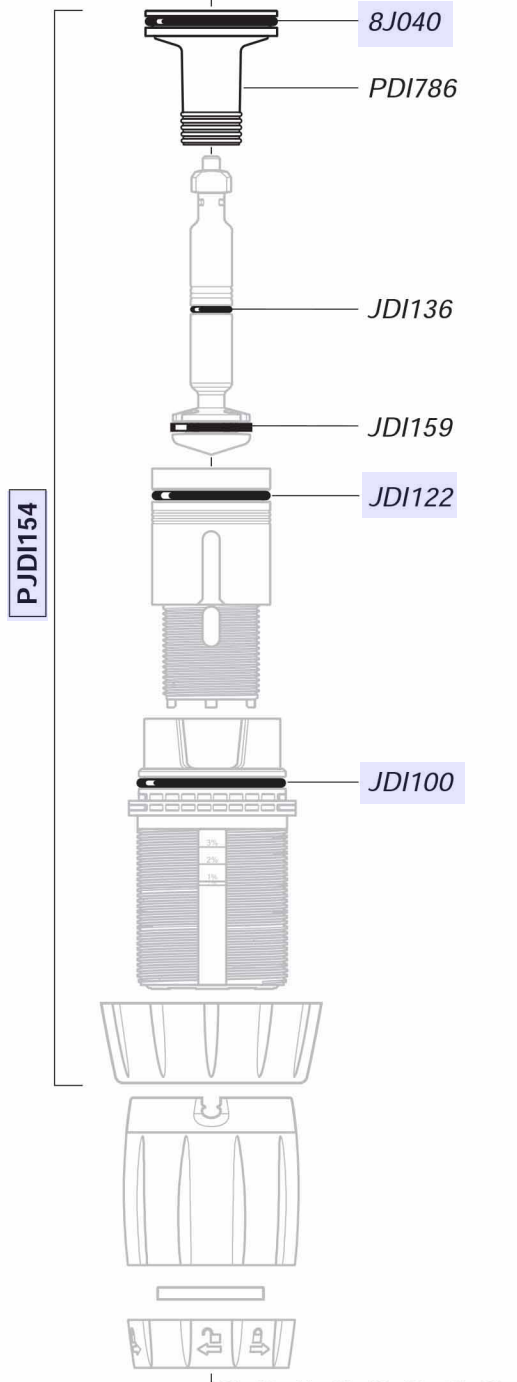
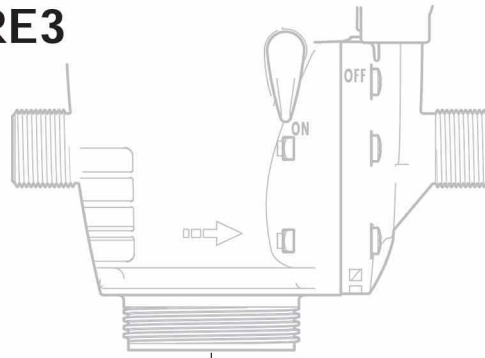
# DM11RE3

11 GPM - 1:128 - 1:32  
 2.5 m<sup>3</sup>/h - 0.8% - 3%  
 2.2 - 57 psi  
 0.15 - 4 bar



# DM11RE3

11 GPM - 1:128 - 1:32  
2.5 m<sup>3</sup>/h - 0.8% - 3%  
2.2 - 57 psi  
0.15 - 4 bar



# DM11RE3

11 GPM - 1:128 - 1:32  
2.5 m<sup>3</sup>/h - 0.8% - 3%  
2.2 - 57 psi  
0.15 - 4 bar

