



# DOSATRON®

An Ingersoll Rand Business



## D14MZ520 - 9 GPM SERIAL # 16290362 TO 18113021 INTERACTIVE SCHEMATICS

### UNIT SPECIFICATIONS

- 1:20 - 1:5
- 7 - 57 PSI
- 3/4" NPT Connection

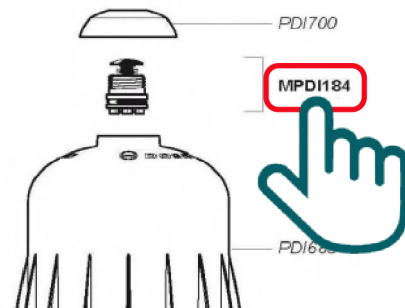
### SUGGESTED INSTALLATION

- 200 mesh/80 micron water filter prior to the unit

### SUGGESTED MAINTENANCE

- Injection Seal Kit  
Part #: [PJDI199](#)  
For yearly maintenance

### DOCUMENT INSTRUCTIONS



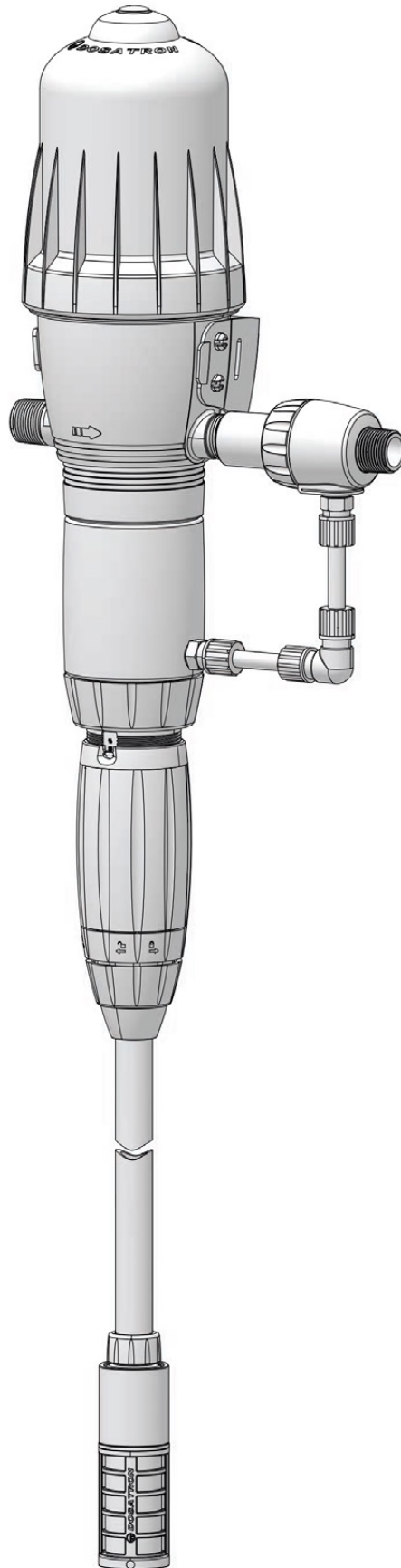
- Click on a part #, to visit item page
- Click arrow back from item page, to return to this document



# D14MZ520

For serial #s 16290363  
up to # 18113021

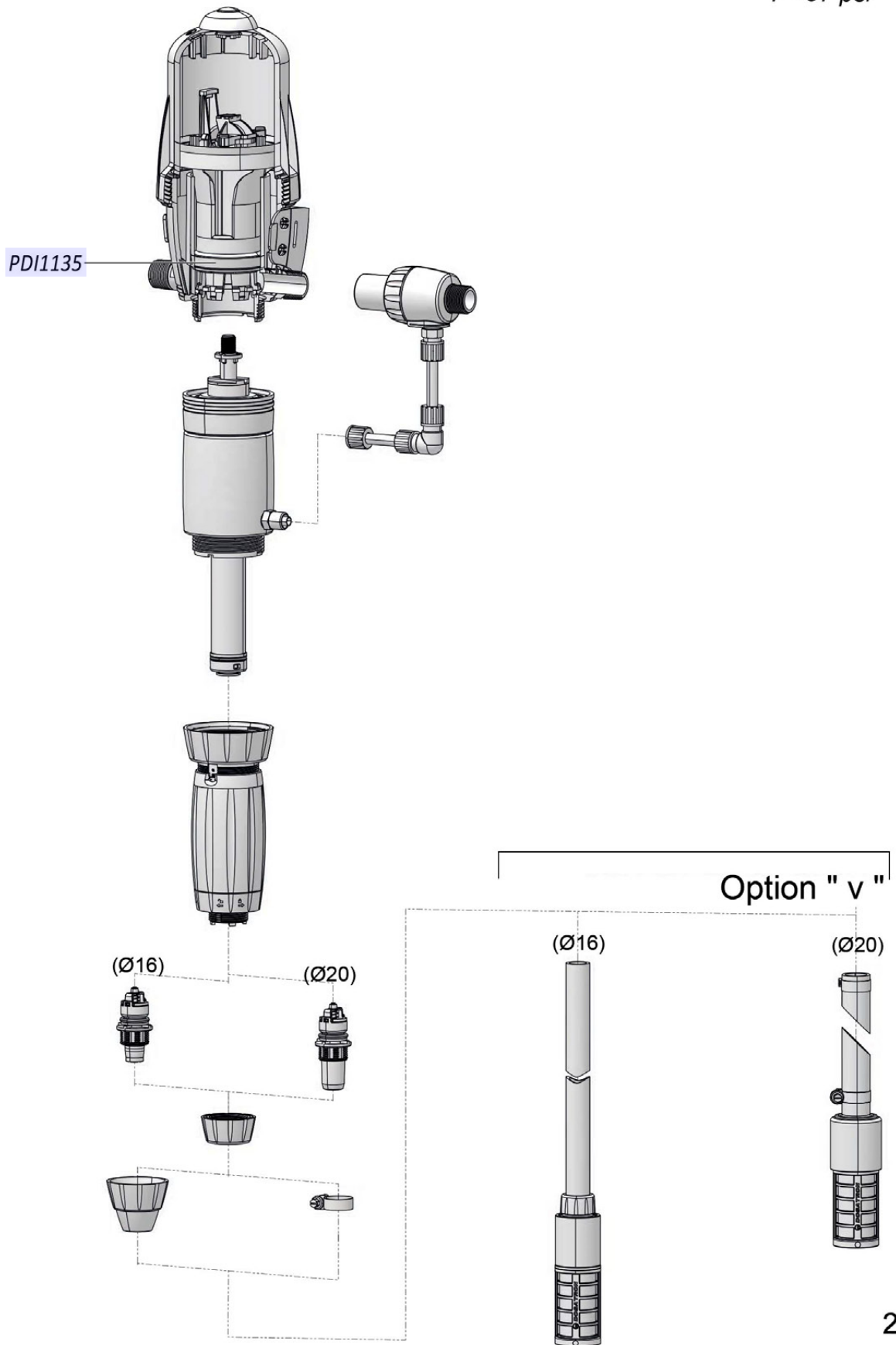
2 m<sup>3</sup>/h - 5 - 20%  
9 GPM - 1:20 - 1:4  
0.5 - 4 bar  
7 - 57 psi



# D14MZ520

For serial #s 16290363  
up to # 18113021

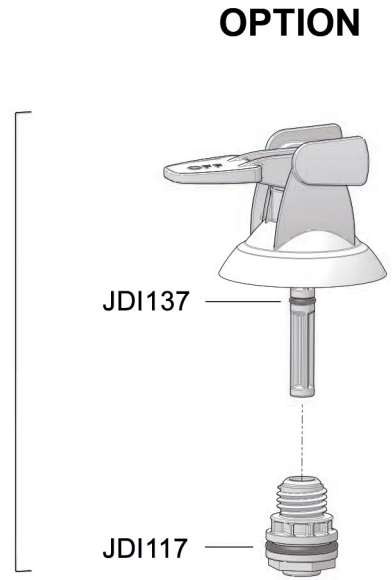
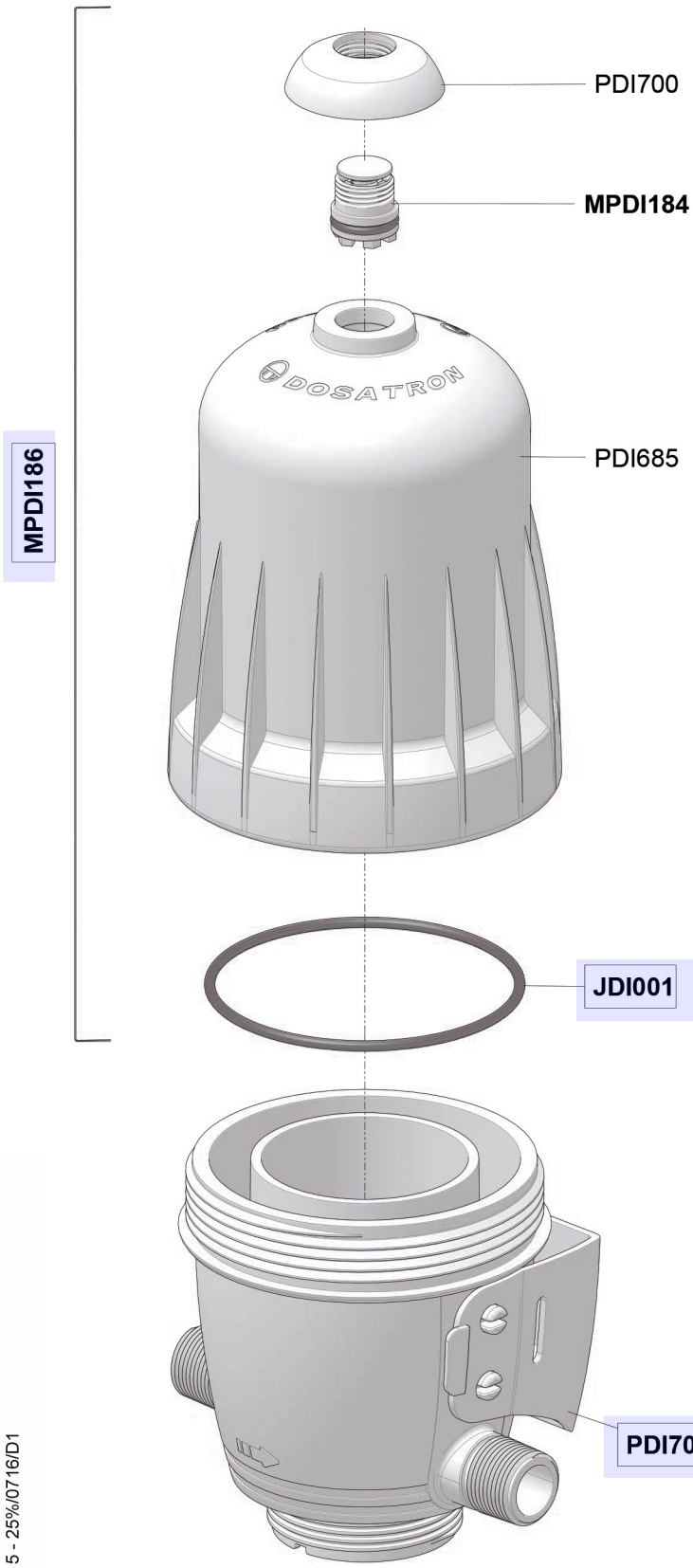
2 m<sup>3</sup>/h - 5 - 20%  
9 GPM - 1:20 - 1:4  
0.5 - 4 bar  
7 - 57 psi



# D14MZ520

For serial #s 16290363  
up to # 18113021

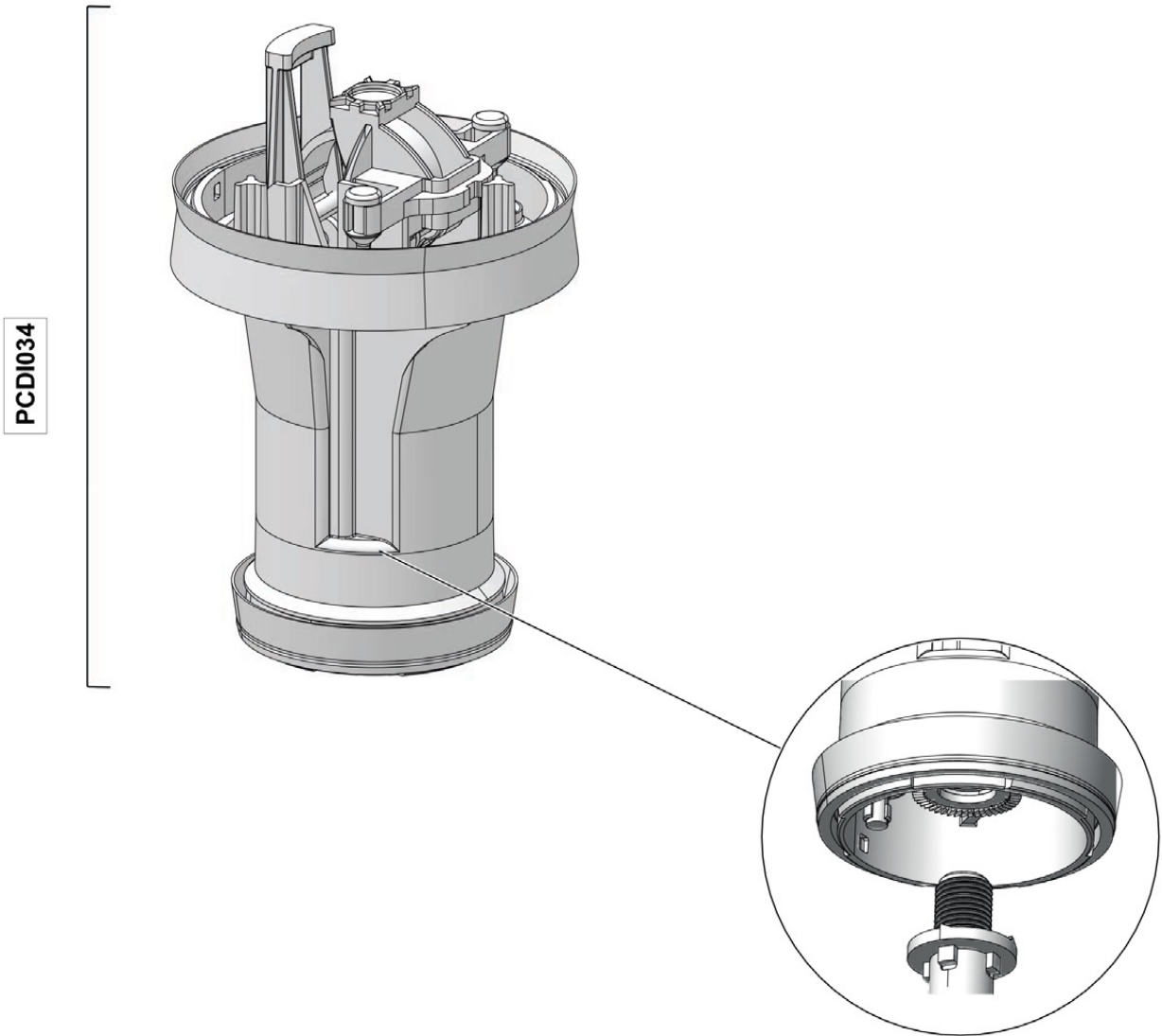
2 m<sup>3</sup>/h - 5 - 20%  
9 GPM - 1:20 - 1:4  
0.5 - 4 bar  
7 - 57 psi



# D14MZ520

For serial #s 16290363  
up to # 18113021

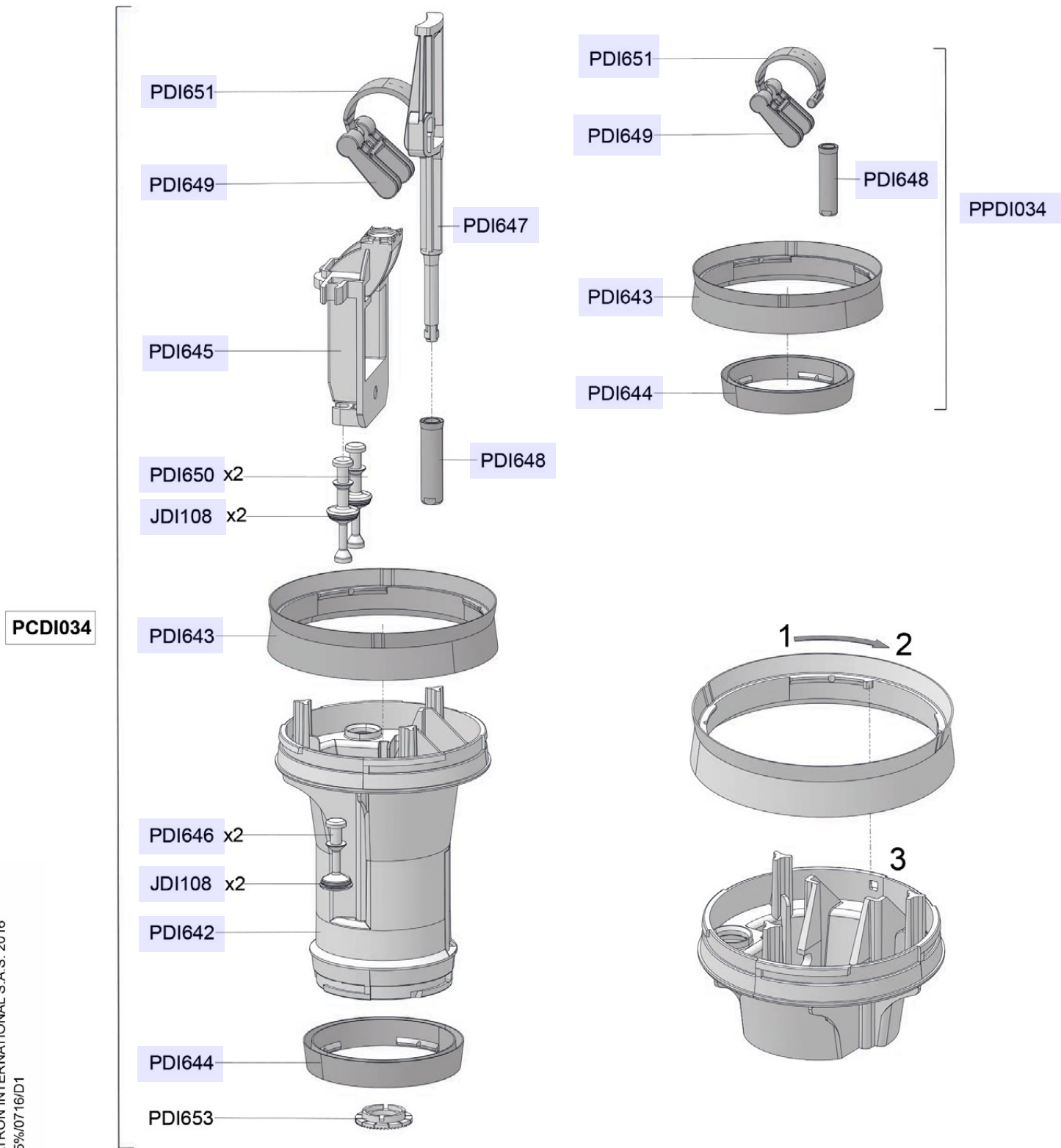
2 m<sup>3</sup>/h - 5 - 20%  
9 GPM - 1:20 - 1:4  
0.5 - 4 bar  
7 - 57 psi



# D14MZ520

For serial #s 16290363  
up to # 18113021

2 m<sup>3</sup>/h - 5 - 20%  
9 GPM - 1:20 - 1:4  
0.5 - 4 bar  
7 - 57 psi

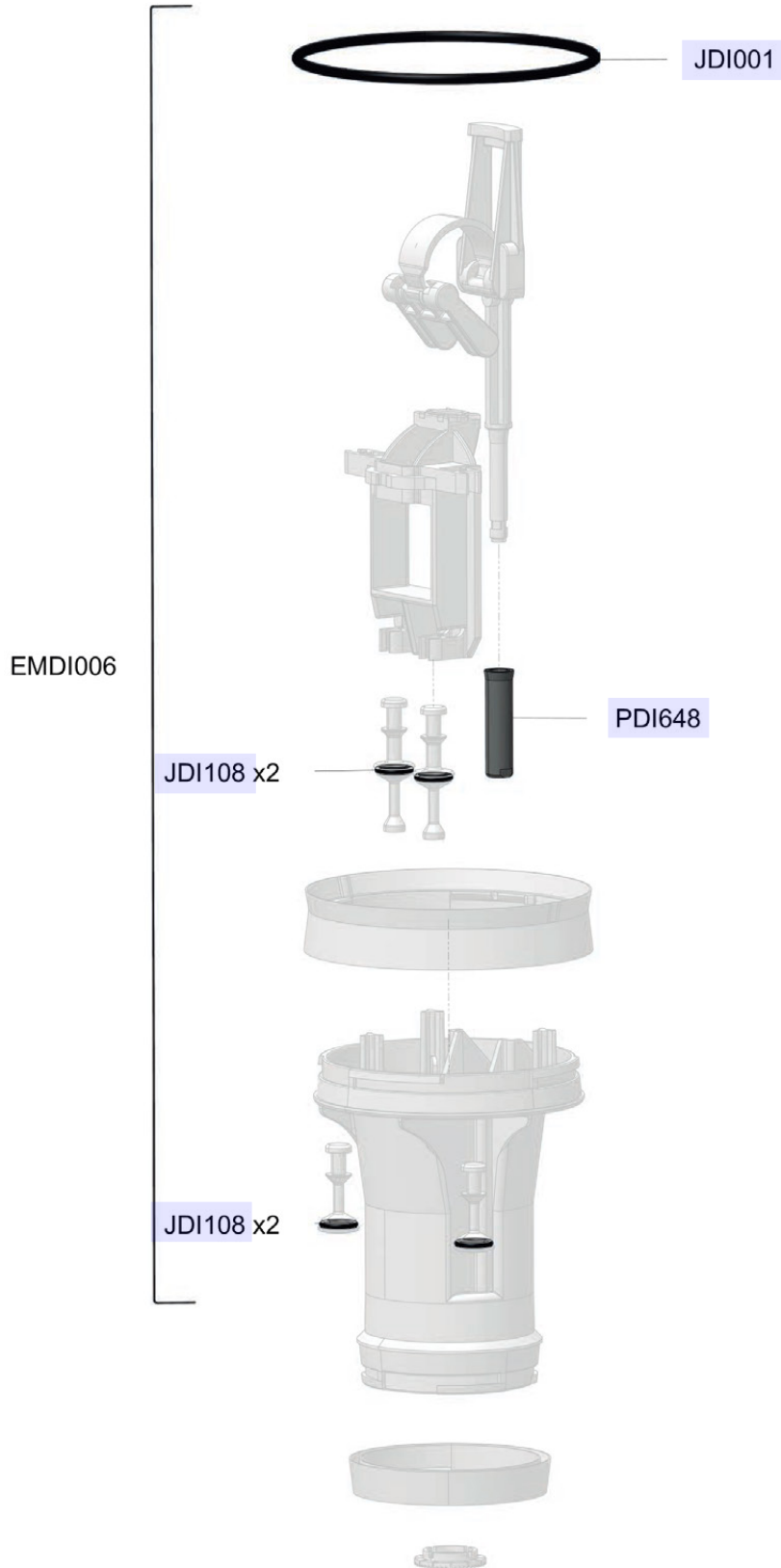


© DOSATRON INTERNATIONAL S.A.S. 2016  
D3 5 - 25%/0716/D1

# D14MZ520

For serial #s 16290363  
up to # 18113021

2 m<sup>3</sup>/h - 5 - 20%  
9 GPM - 1:20 - 1:4  
0.5 - 4 bar  
7 - 57 psi



# D14MZ520

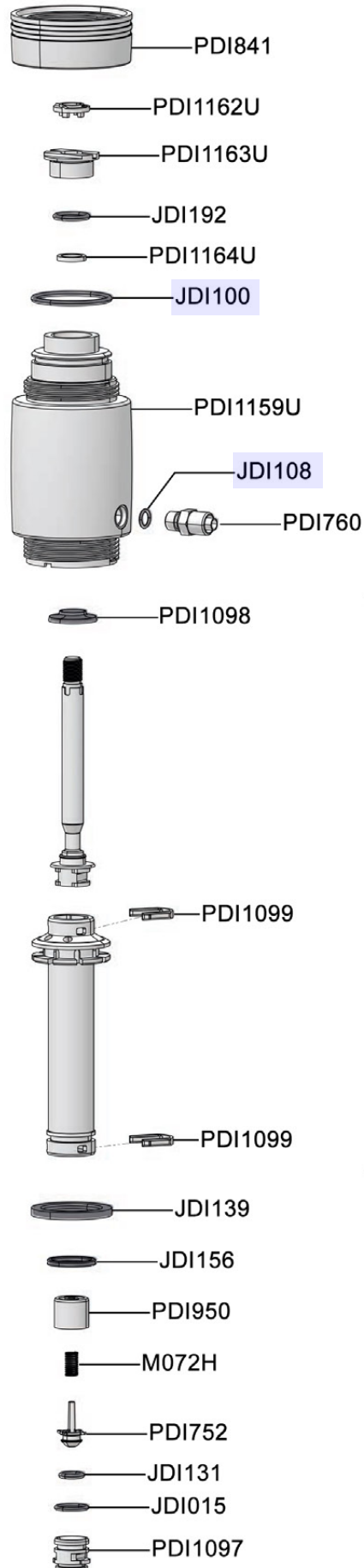
For serial #s 16290363  
up to # 18113021

2 m<sup>3</sup>/h - 5 - 20%  
9 GPM - 1:20 - 1:4  
0.5 - 4 bar  
7 - 57 psi

Plunger Assembly  
for units with serial  
number 16290363  
up to 18113021

PJDI198

PPDI064





# D14MZ520

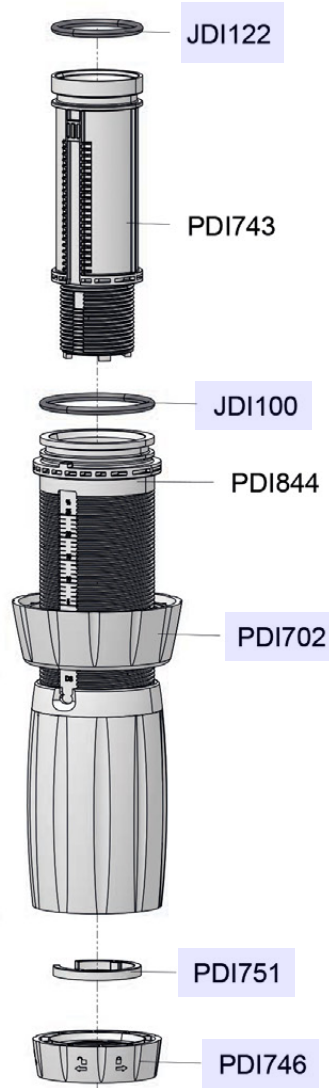
For serial #s 16290363  
up to # 18113021

2 m<sup>3</sup>/h - 5 - 20%  
9 GPM - 1:20 - 1:4  
0.5 - 4 bar  
7 - 57 psi

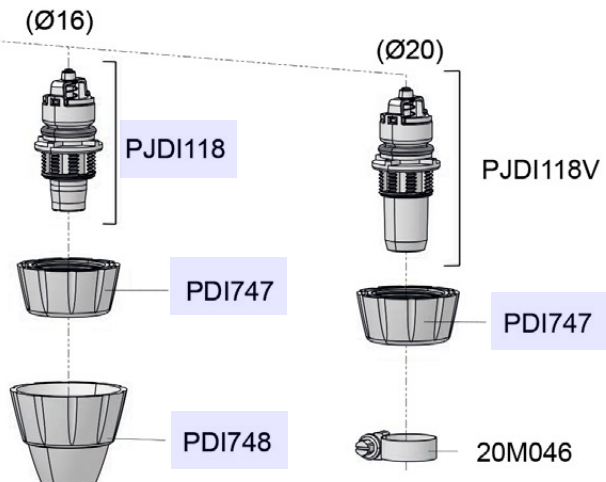
## Injection Stem Assembly

CDDI078 (Ø16)  
CDDI078V (Ø20)

PPDI037



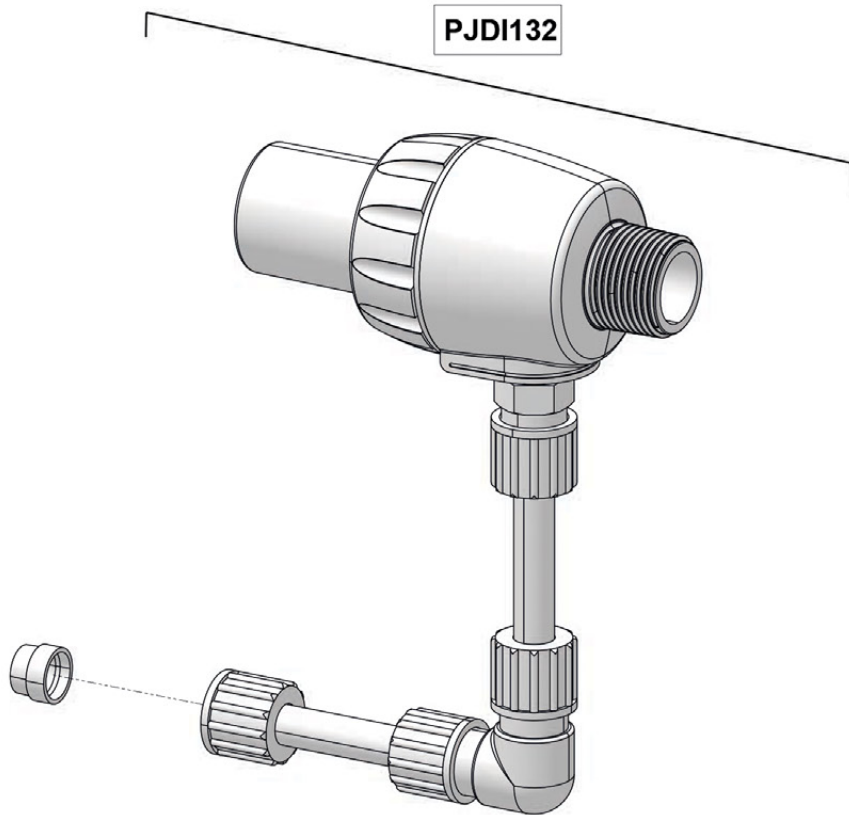
### Option " V "



# D14MZ520

For serial #s 16290363  
up to # 18113021

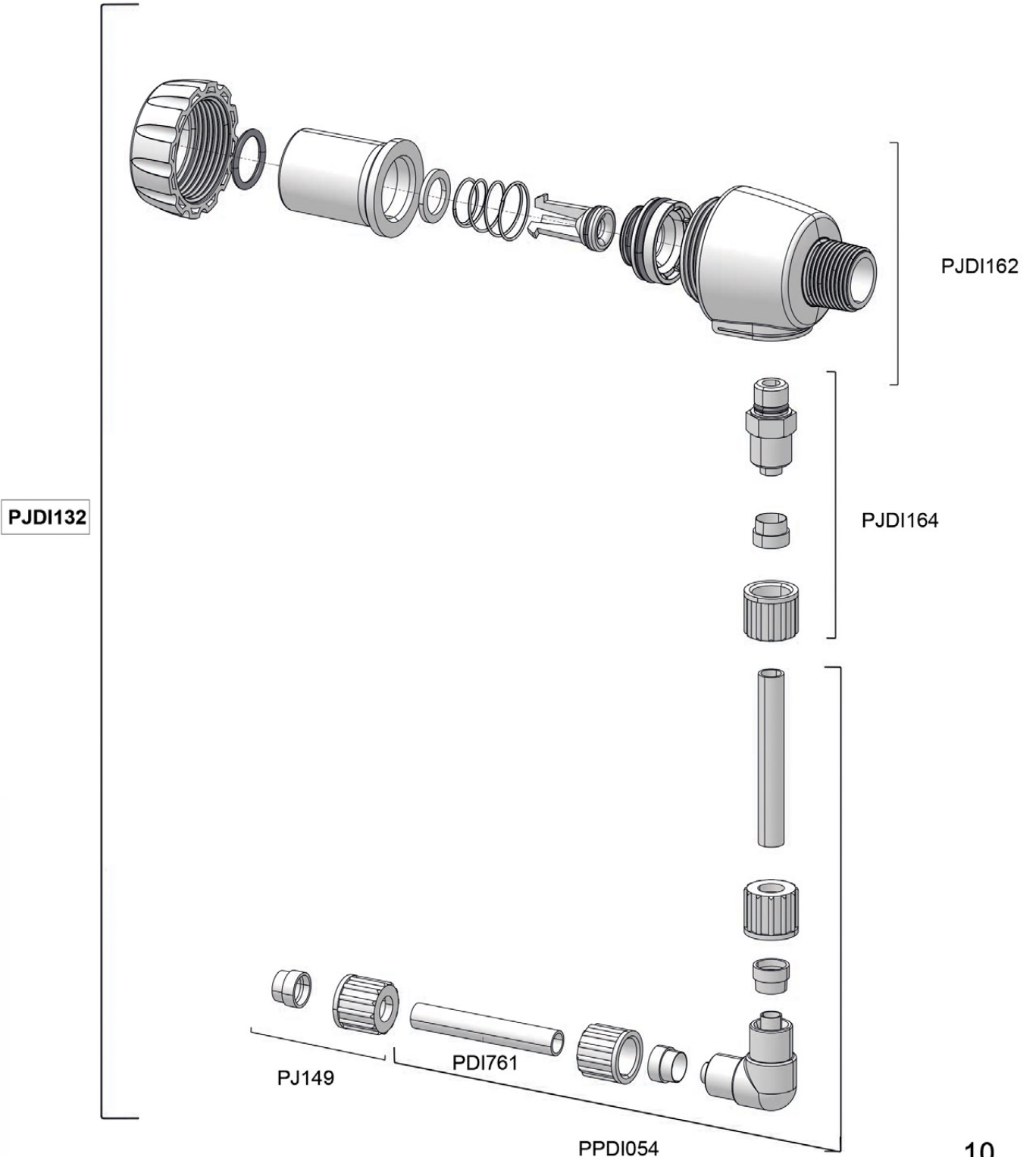
2 m<sup>3</sup>/h - 5 - 20%  
9 GPM - 1:20 - 1:4  
0.5 - 4 bar  
7 - 57 psi



# D14MZ520

For serial #s 16290363  
up to # 18113021

2 m<sup>3</sup>/h - 5 - 20%  
9 GPM - 1:20 - 1:4  
0.5 - 4 bar  
7 - 57 psi

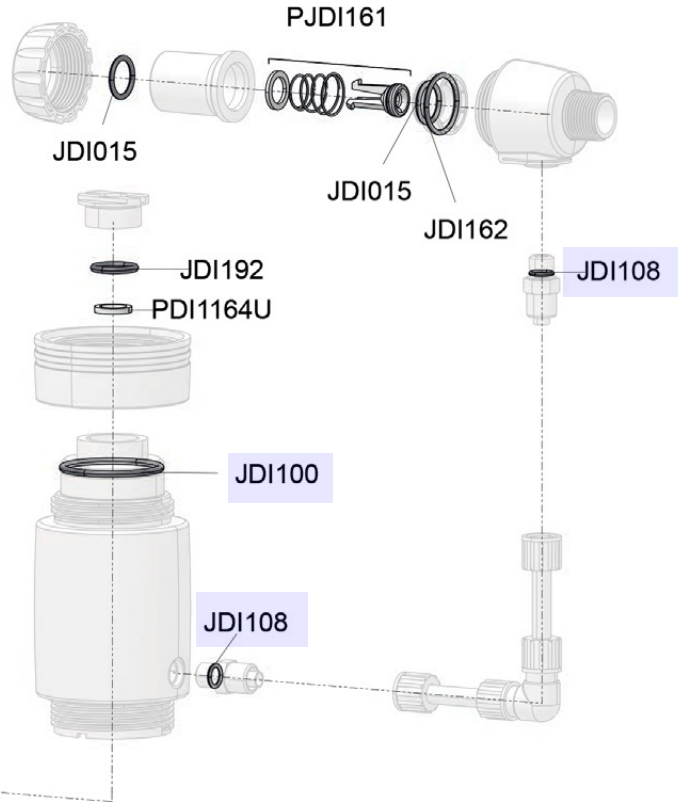
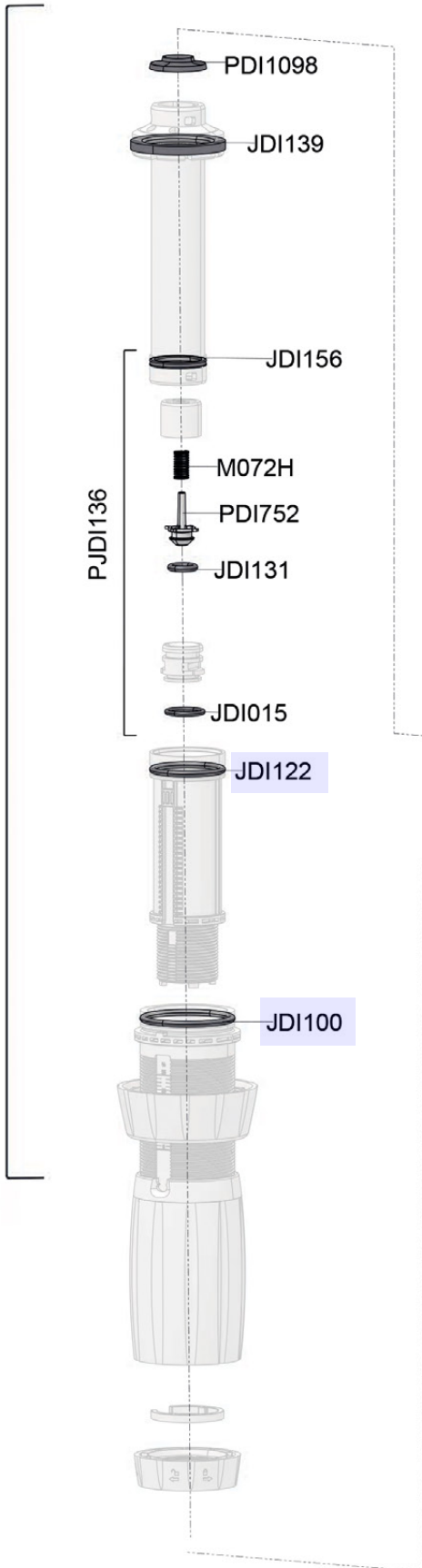


# D14MZ520

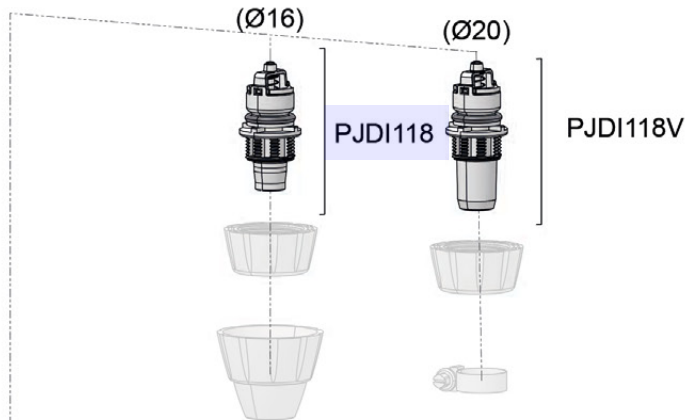
For serial #s 16290363  
up to # 18113021

2 m<sup>3</sup>/h - 5 - 20%  
9 GPM - 1:20 - 1:4  
0.5 - 4 bar  
7 - 57 psi

PJDI199(Ø16)  
PJDI199V(Ø20)



## Option " V "



**!** **NEW Style Seal Kit for units with serial #s 16290363 and over**

# D14MZ520

For serial #s 16290363  
up to # 18113021

2 m<sup>3</sup>/h - 5 - 20%  
9 GPM - 1:20 - 1:4  
0.5 - 4 bar  
7 - 57 psi

