



DOSATRON®

An Ingersoll Rand Business



VENTURI PROPORTIONER INTERACTIVE SCHEMATICS

UNIT SPECIFICATIONS

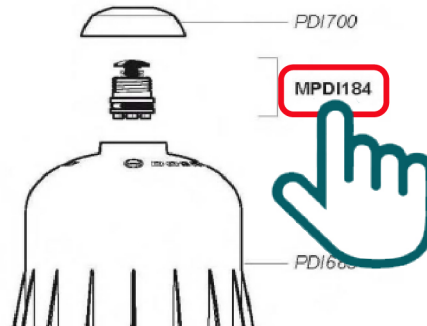
- 1:100 - 1:2.3
- 7 - 58 PSI
- 3/4" NPT Connection

SUGGESTED INSTALLATION

- 200 mesh/80 micron water filter prior to the unit

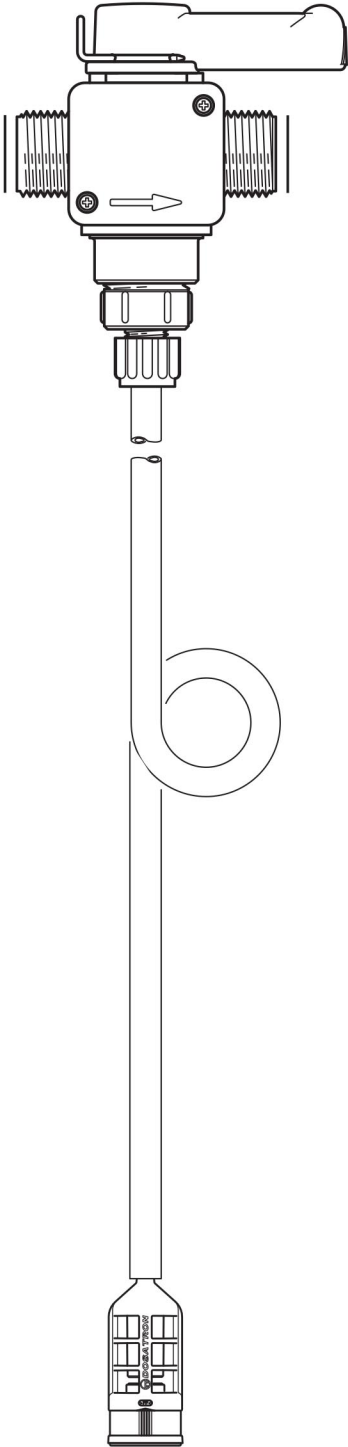
DOCUMENT INSTRUCTIONS

- Click on a part #, to visit item page
- Click arrow back from item page, to return to this document



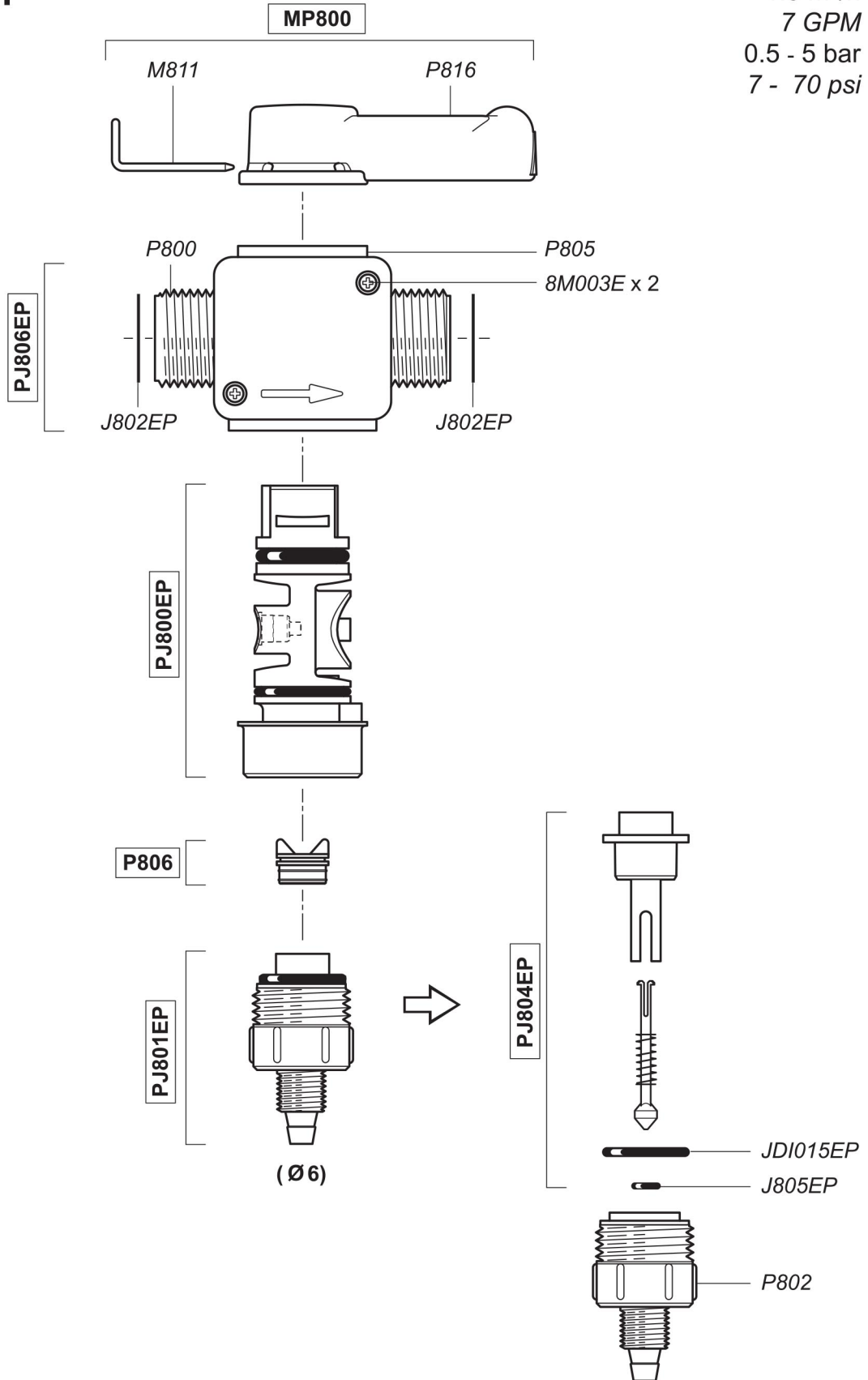
Venturi

1.5 m³/h
7 GPM
0.5 - 5 bar
7 - 70 psi



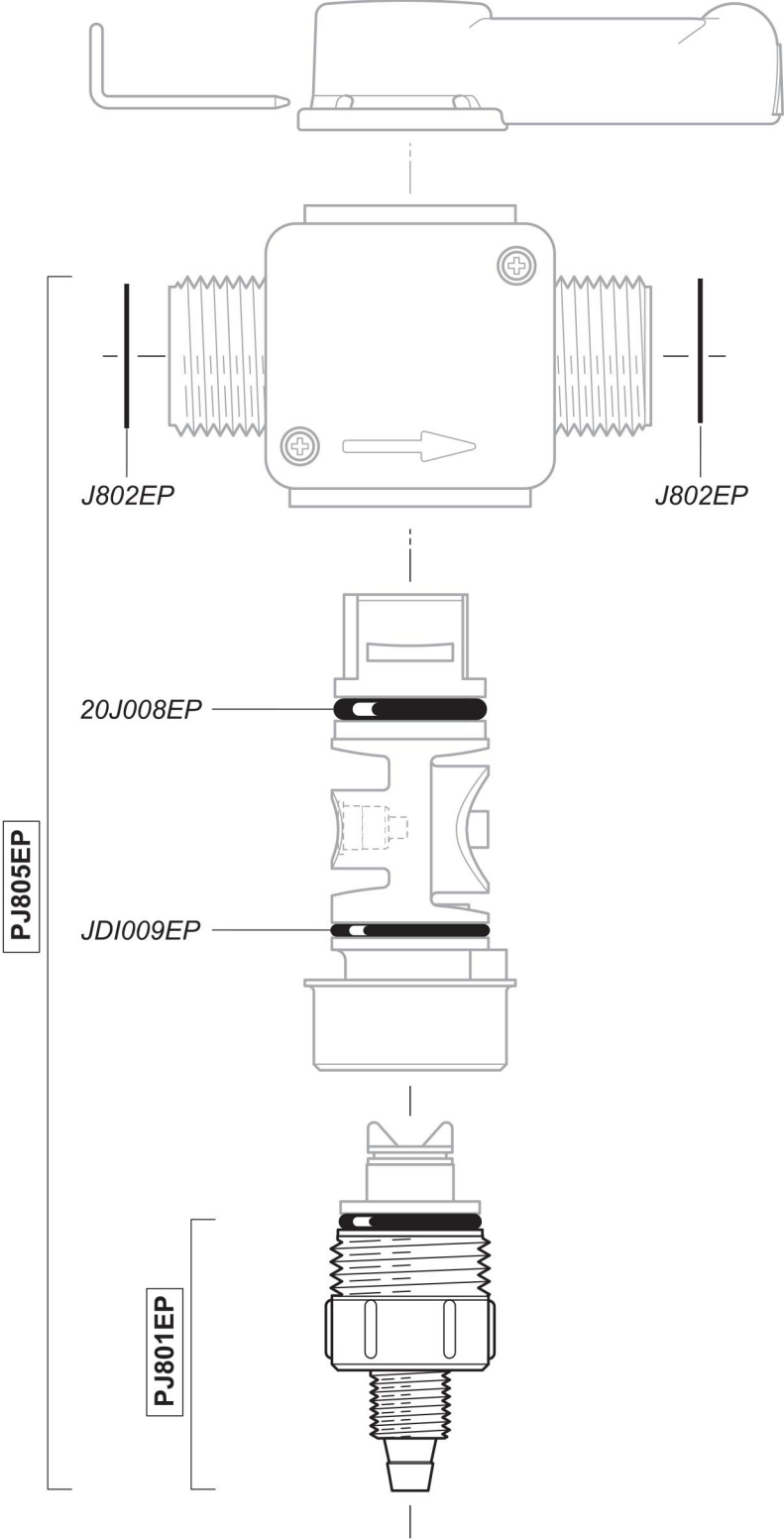
Venturi

1.5 m³/h
 7 GPM
 0.5 - 5 bar
 7 - 70 psi



Venturi

1.5 m³/h
7 GPM
0.5 - 5 bar
7 - 70 psi



Venturi

1.5 m³/h
7 GPM
0.5 - 5 bar
7 - 70 psi

