



DOSATRON®

WATER POWERED DOSING TECHNOLOGY

SCHEMATICS

Dosatron Liquid Dispenser **Model # D8R – 40 GPM**

1:500 – 1:50

2 – 110 PSI

NOTE: Not all parts are available for discontinued models, and parts are limited. Please call Dosatron at 1-800-523-8499 to confirm.

Suggested Installation:

200 mesh/80 micron water filter prior to unit

One-way check valve downstream from unit for water hammer protection

Suggested Maintenance Interval:

Replace injection seals every 12 months

DOSATRON SALES & SERVICE - NORTH & CENTRAL AMERICA

Dosatron International, Inc.

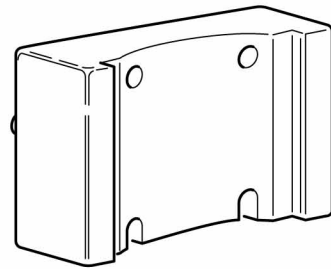
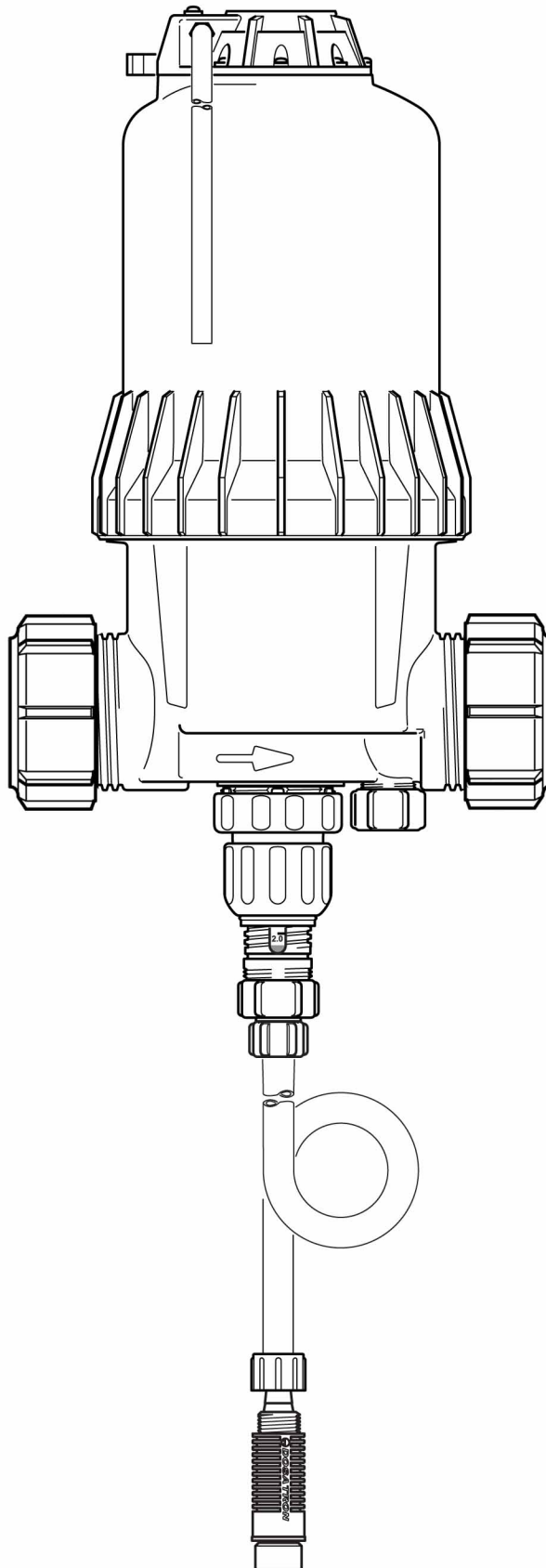
Phone: 727-443-5404 Service: (800) 523-8499

Fax: 727-447-0591

www.dosatronUSA.com

D8R

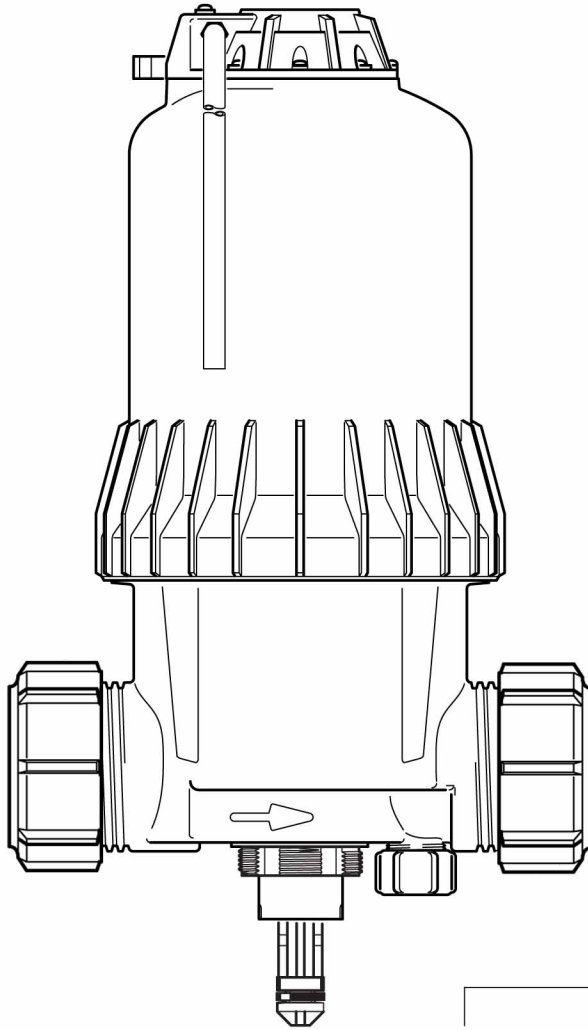
8 m³/h - 0.2 - 2%
40 GPM - 1:500 - 1:50
0.15 - 8 bar
2.2 - 116 psi



D8R Seal Kit 8PJ052

D8R

C+M

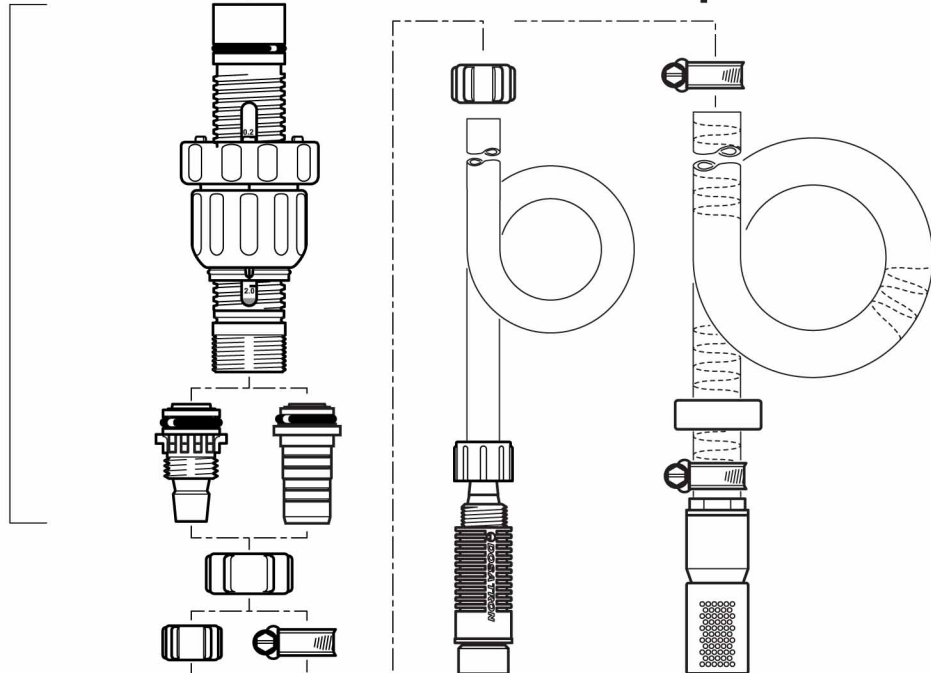


8 m³/h - 0.2 - 2%
40 GPM - 1:500 - 1:50
0.15 - 8 bar
2.2 - 116 psi

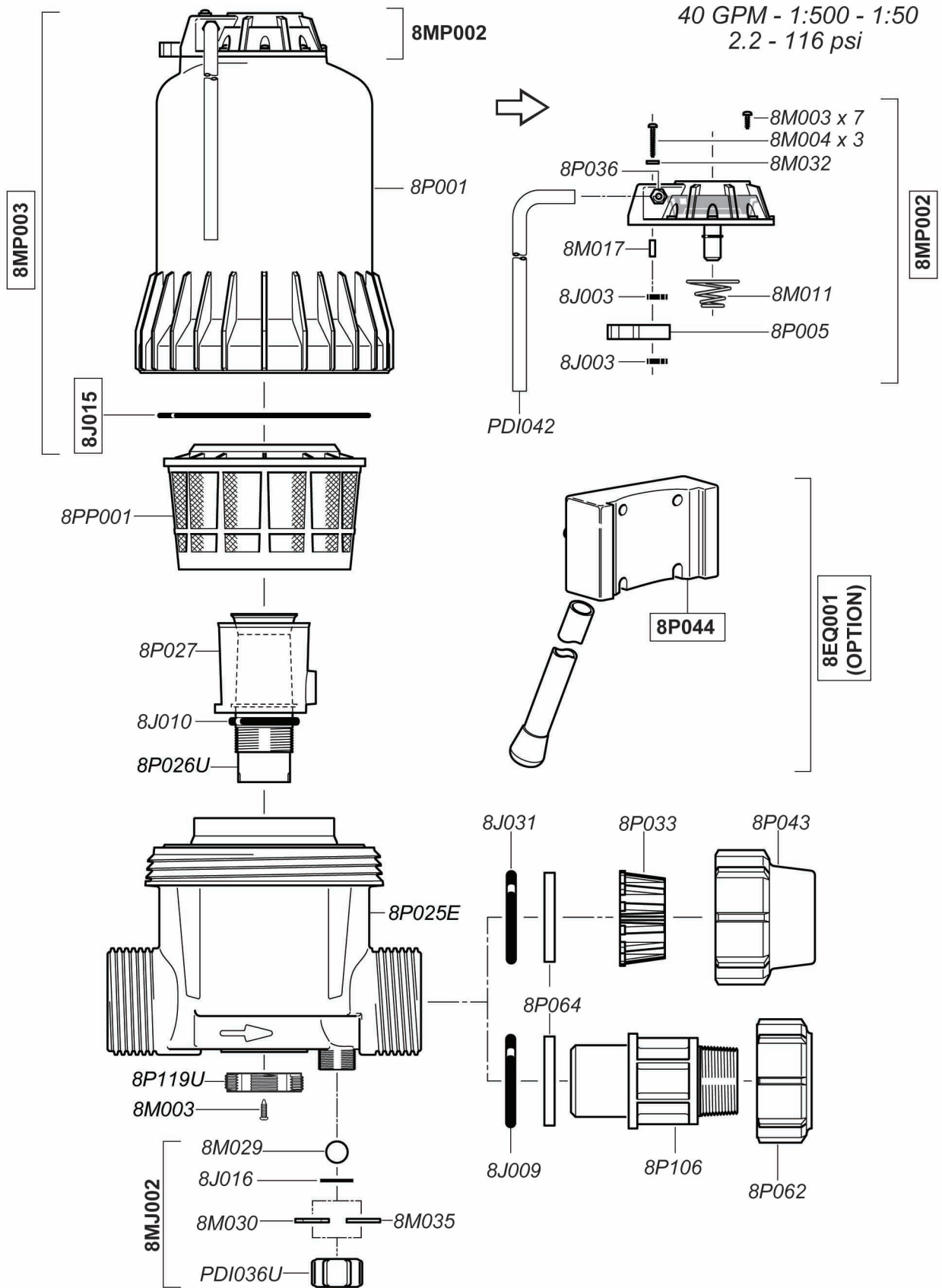
A

Option "V"

D

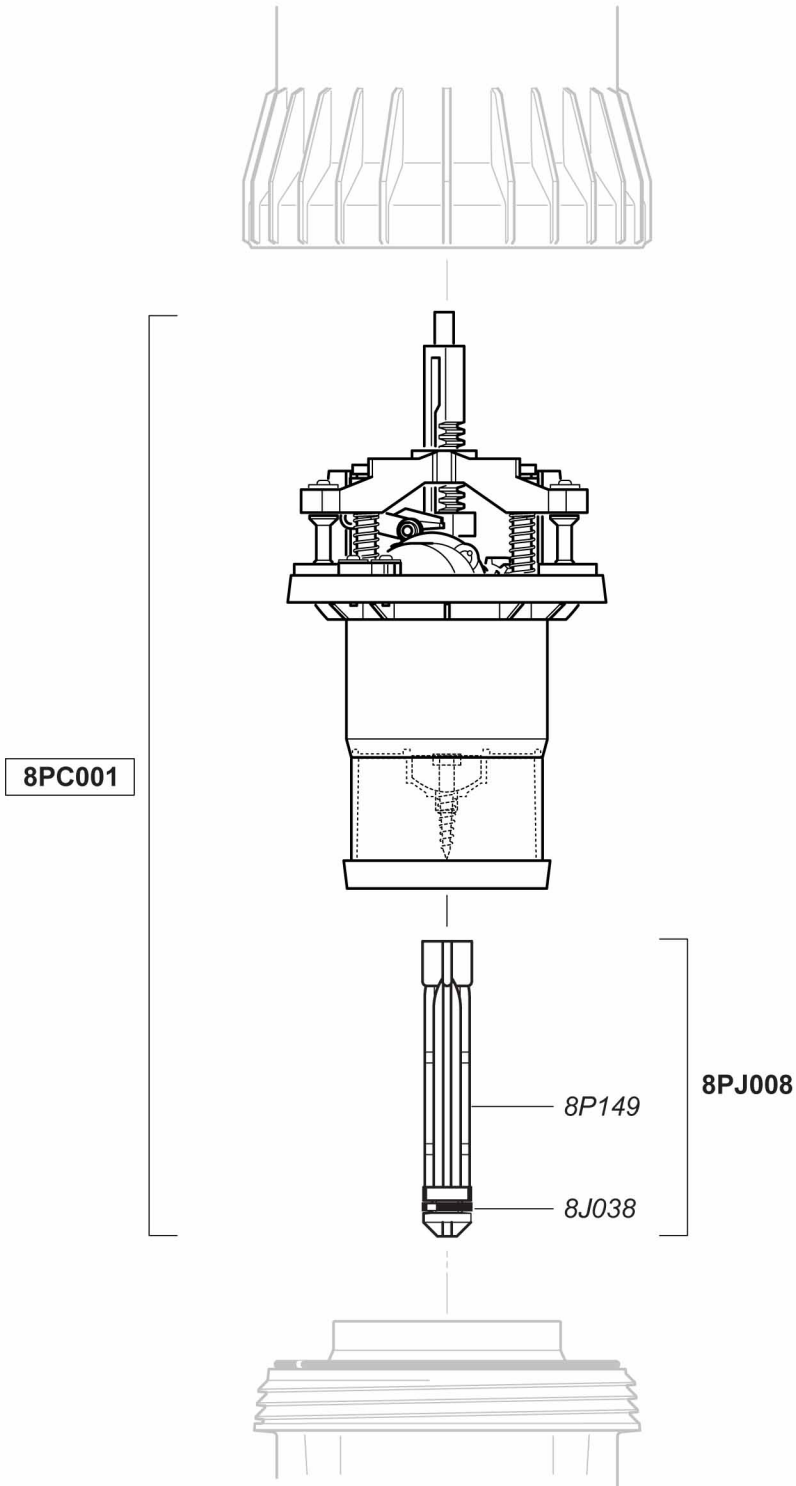


D8R



D8R

8 m³/h - 0.2 - 2%
40 GPM - 1:500 - 1:50
0.15 - 8 bar
2.2 - 116 psi



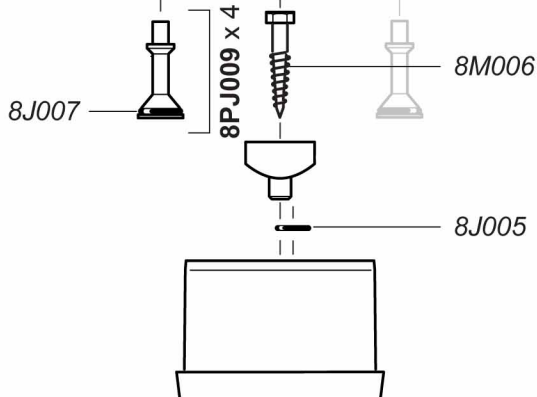
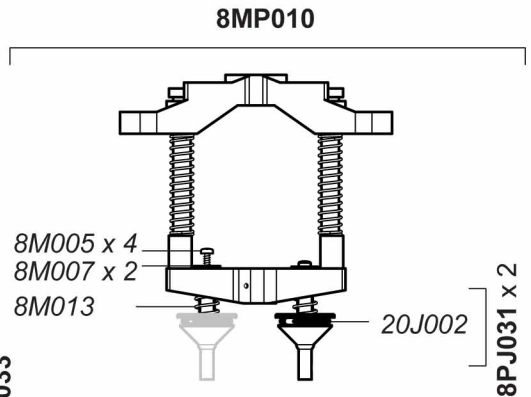
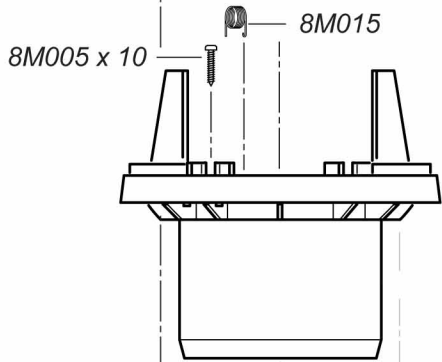
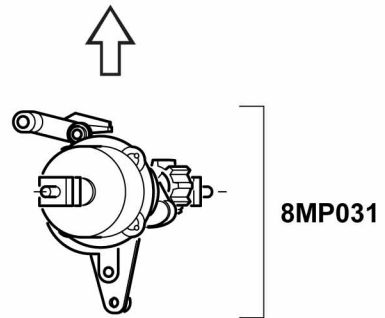
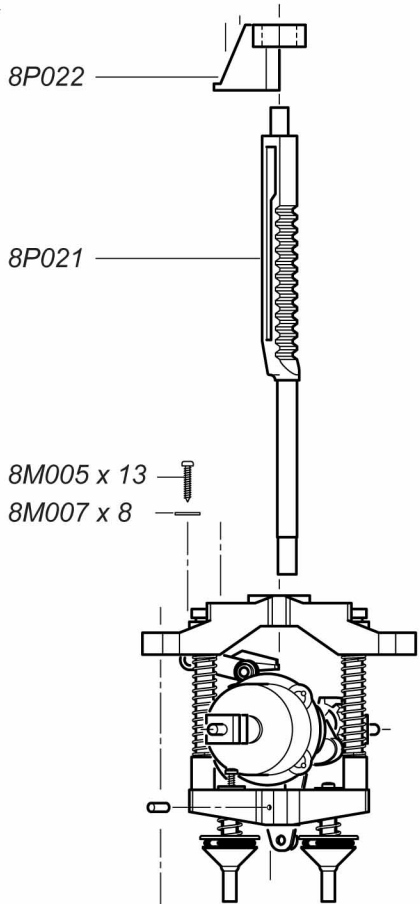
© DOSATRON INTERNATIONAL S.A. 2007
D8R/0607/D4



D8R

8 m³/h - 0.2 - 2%
 40 GPM - 1:500 - 1:50
 0.15 - 8 bar
 2.2 - 116 psi

8PC002

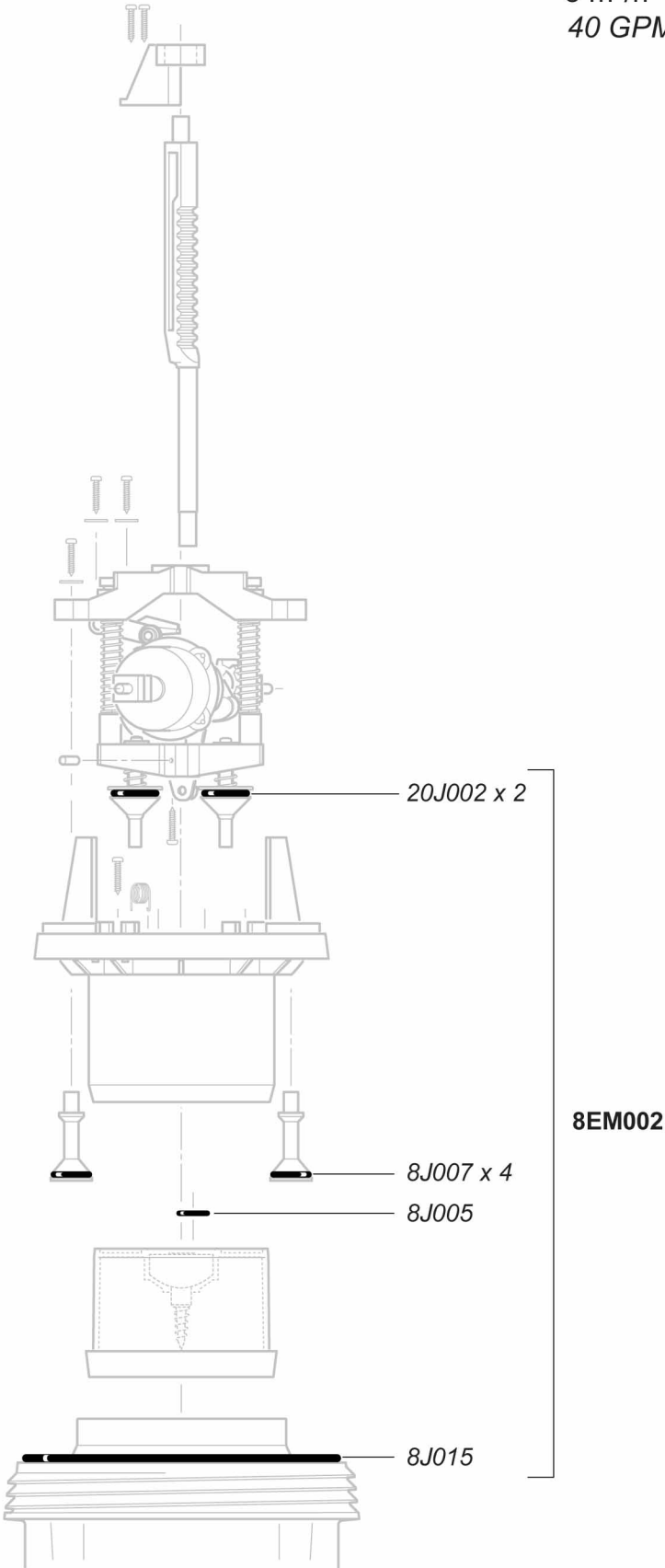


© DOSATRON INTERNATIONAL S.A. 2007
 D8R/0607/D5



D8R

8 m³/h - 0.2 - 2%
40 GPM - 1:500 - 1:50
0.15 - 8 bar
2.2 - 116 psi

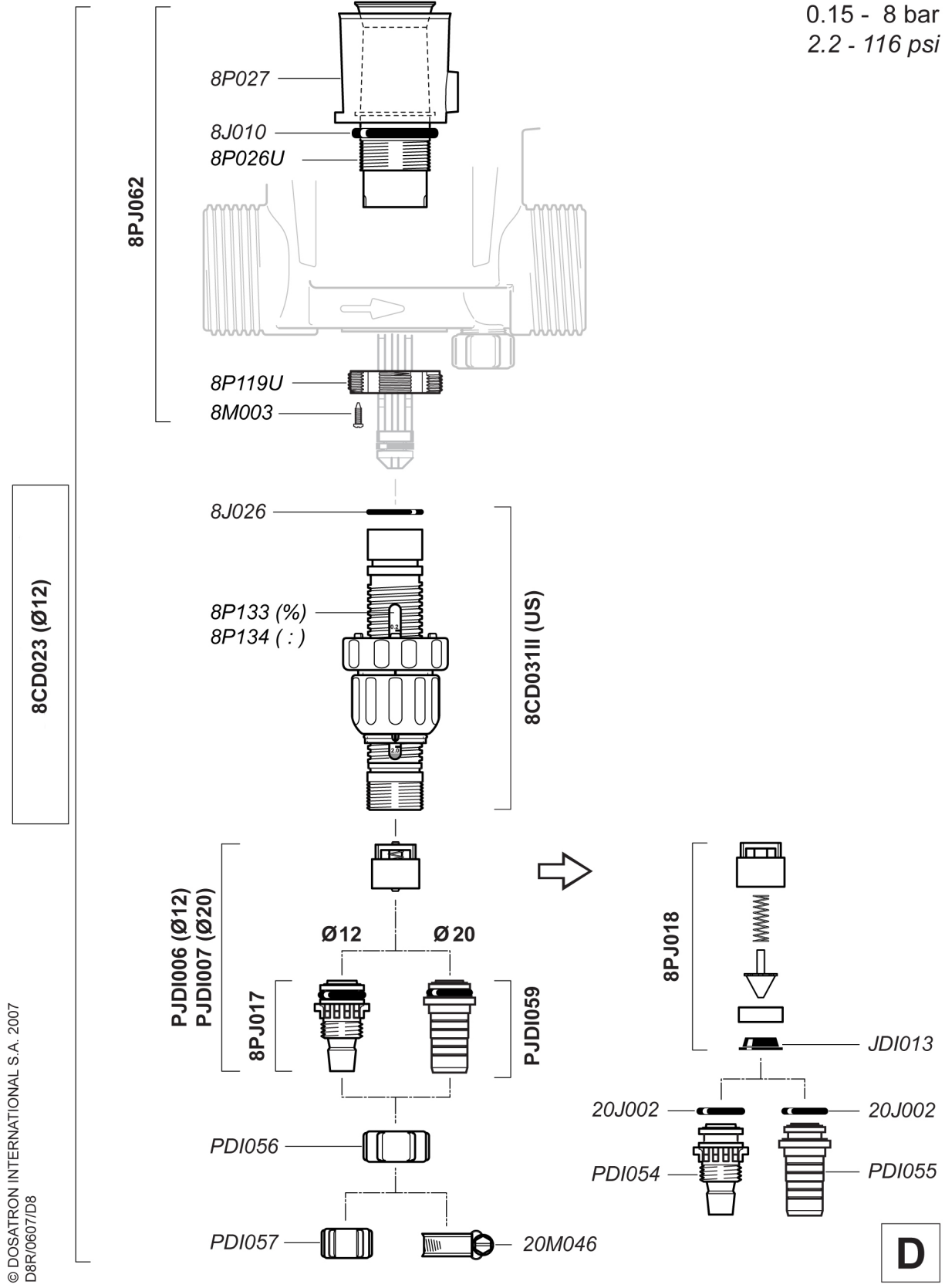


© DOSATRON INTERNATIONAL S.A. 2007
D8R/0607/D6



D8R

8 m³/h - 0.2 - 2%
 40 GPM - 1:500 - 1:50
 0.15 - 8 bar
 2.2 - 116 psi



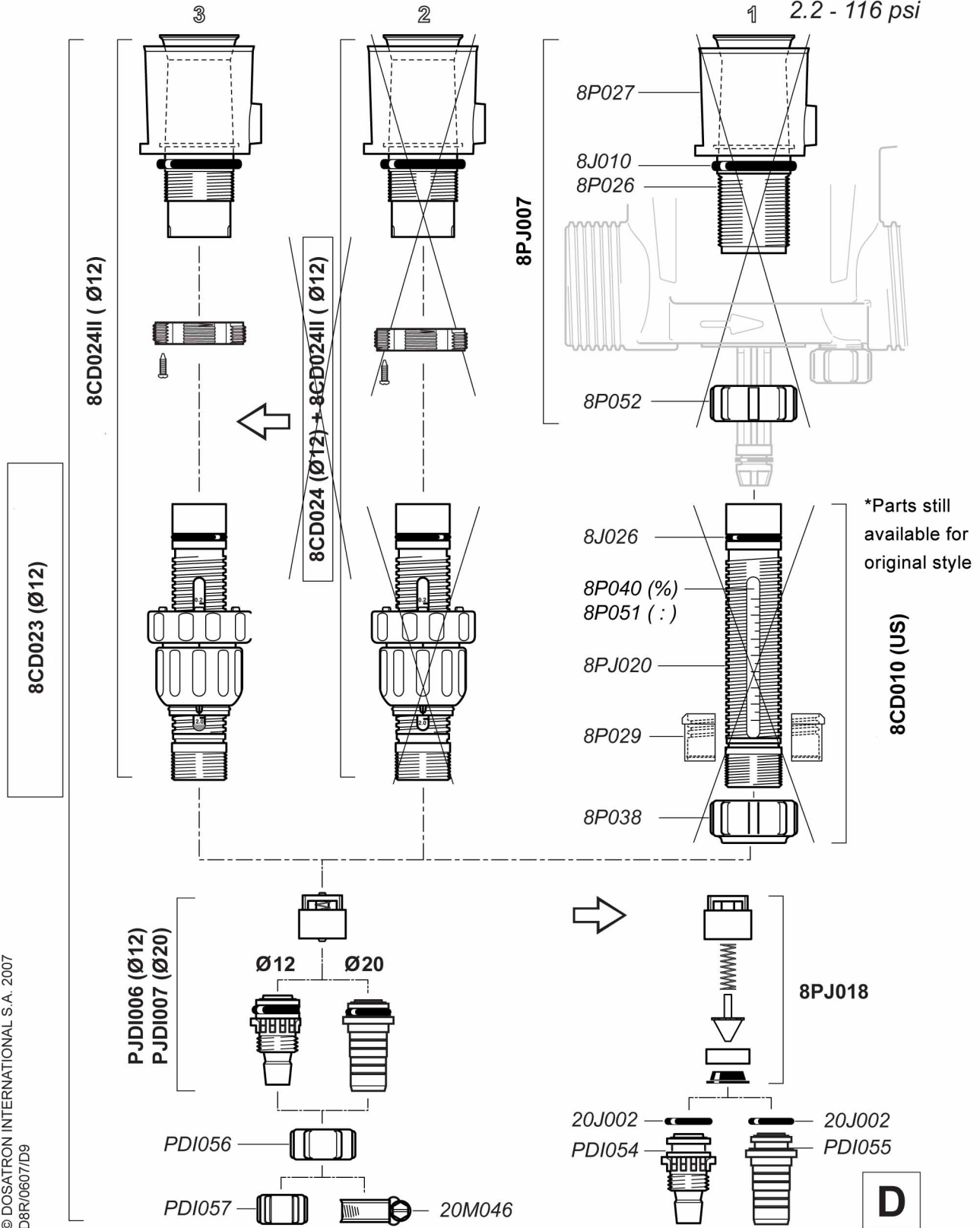
© DOSATRON INTERNATIONAL S.A. 2007
 D8R/0607/D8

D8R

8 m³/h - 0.2 - 2%
 40 GPM - 1:500 - 1:50
 0.15 - 8 bar
 2.2 - 116 psi

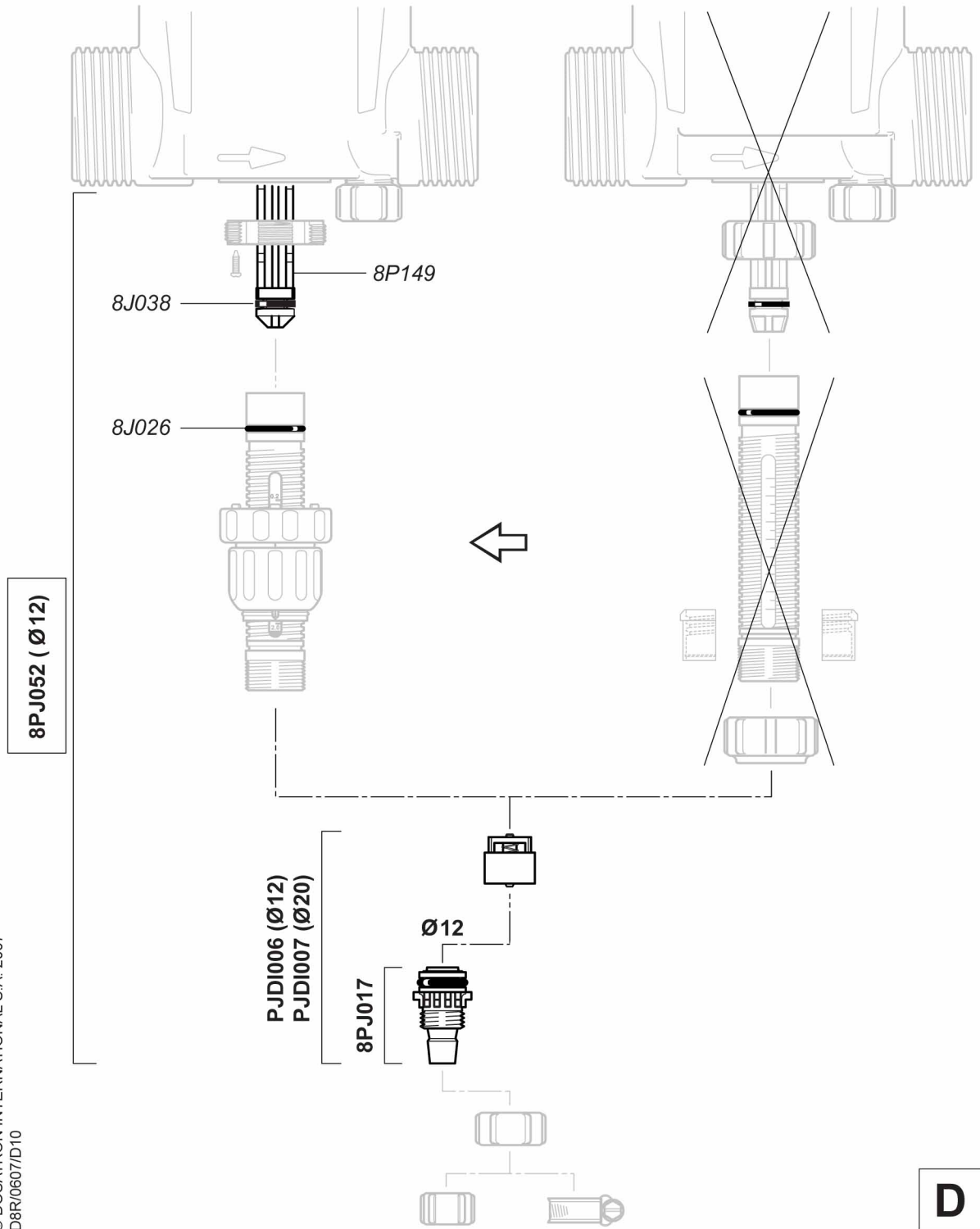
Export N° 0401 ... →
 Serial # greater than 04010000

N° 03022007 →
 Serial # between 03022007 and 04030710



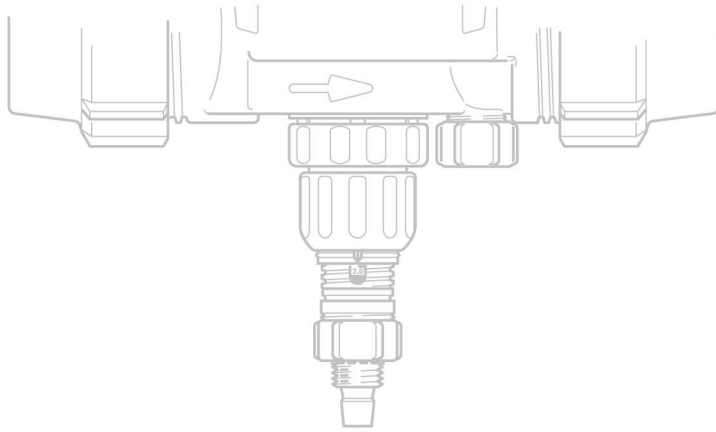
D8R
Seal Kit 8PJ052

8 m³/h - 0.2 - 2%
 40 GPM - 1:500 - 1:50
 0.15 - 8 bar
 2.2 - 116 psi



D8R

8 m³/h - 0.2 - 2%
 40 GPM - 1:500 - 1:50
 0.15 - 8 bar
 2.2 - 116 psi



Option "V"

