



DOSATRON®

WATER POWERED DOSING TECHNOLOGY



D8RE5 - 40 GPM INTERACTIVE SCHEMATICS

UNIT SPECIFICATIONS

- 1:100 - 1:20
- 2.2 - 116 PSI
- 1 1/2" NPT Connection

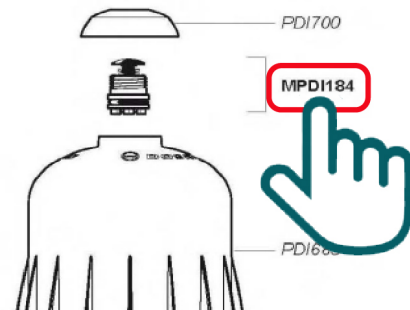
SUGGESTED INSTALLATION

- 200 mesh/80 micron water filter prior to the unit
- One-way check valve down-stream from the unit for water hammer protection

SUGGESTED MAINTENANCE

- Injection Seal Kit
Part #: **PJDI122V**
For yearly maintenance

DOCUMENT INSTRUCTIONS

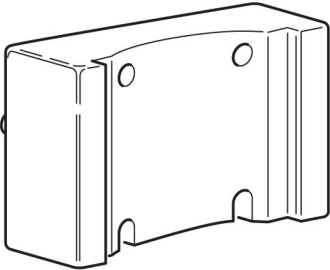
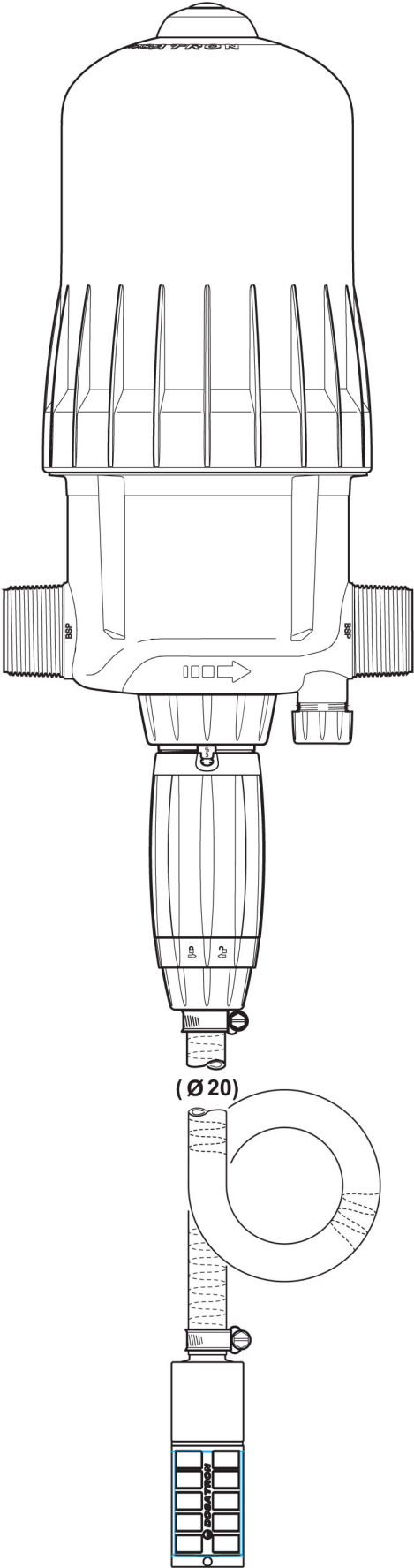


- Click on a part #, to visit item page
- Click arrow back from item page, to return to this document



D8RE5

8 m³/h - 1 - 5%
40 GPM - 1:100 - 1:20
0.15 - 8 bar
2.2 - 116 psi

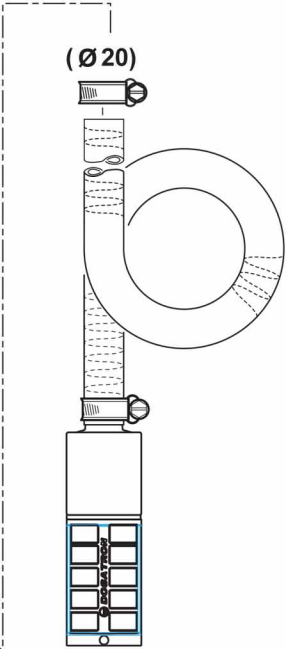
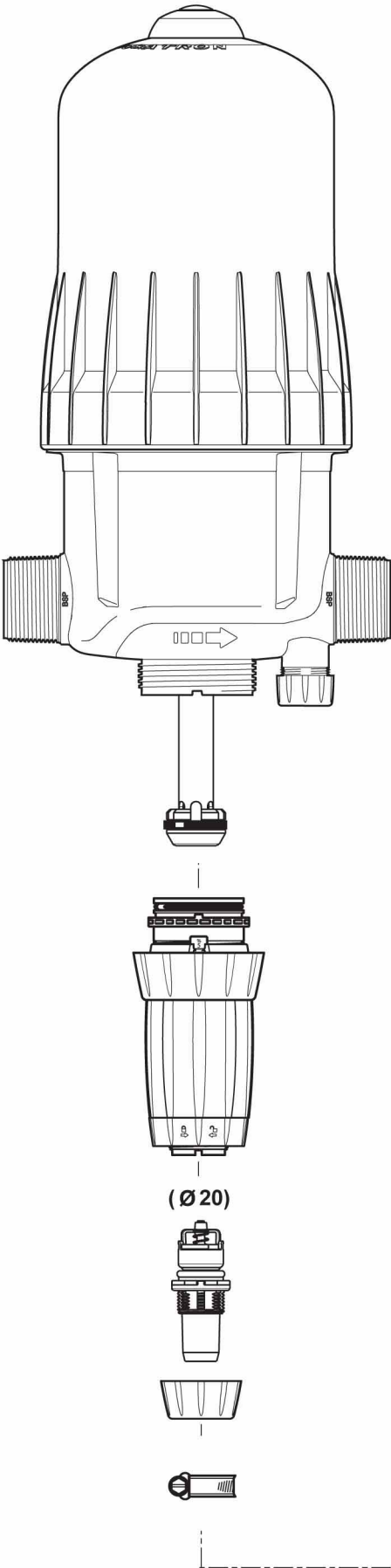


© DOSATRON INTERNATIONAL S.A.S 2012
D8RE5/0612/D1

Injection Seal Kit Part #: **PJDI122V**

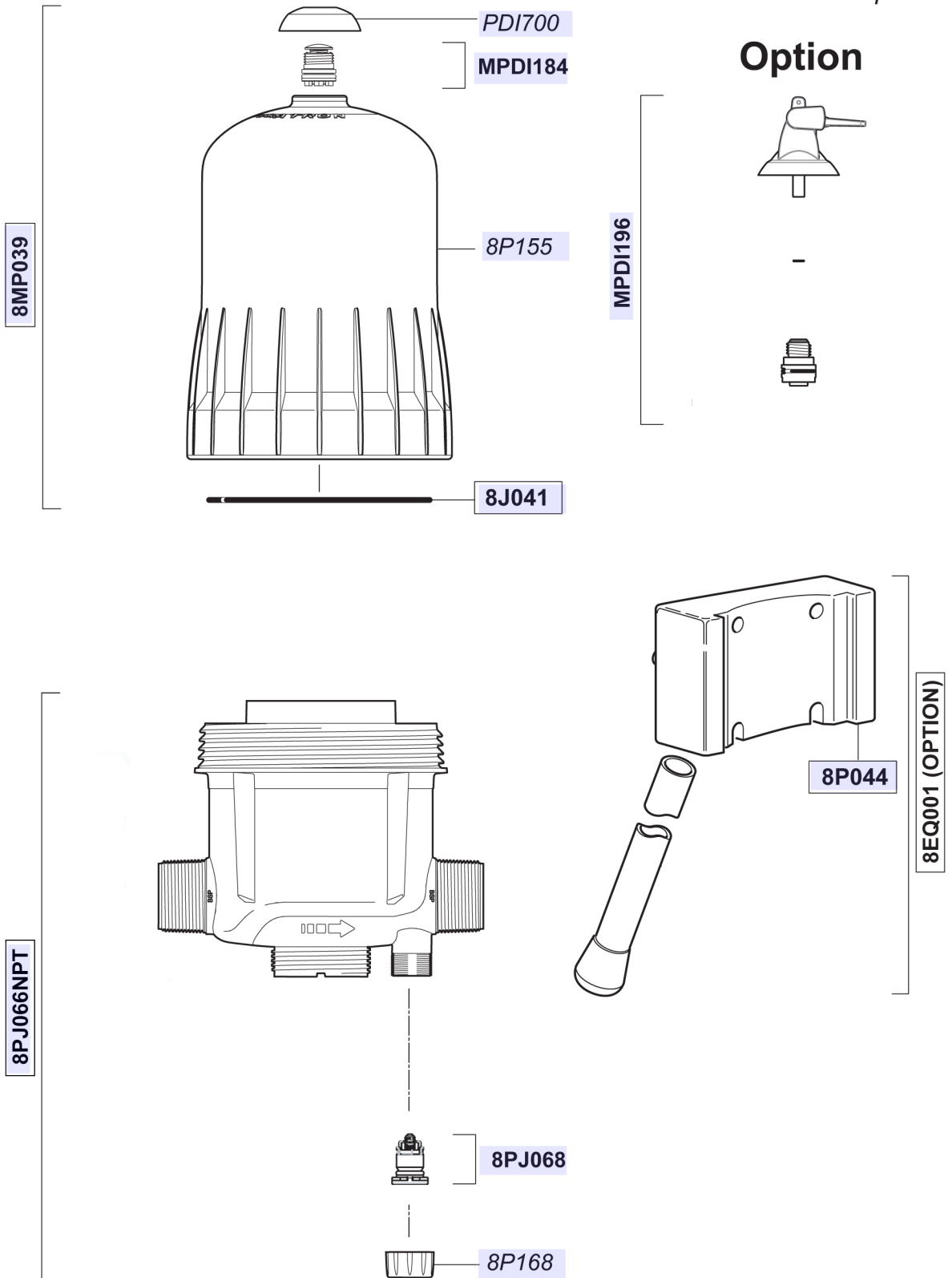
D8RE5

8 m³/h - 1 - 5%
40 GPM - 1:100 - 1:20
0.15 - 8 bar
2.2 - 116 psi



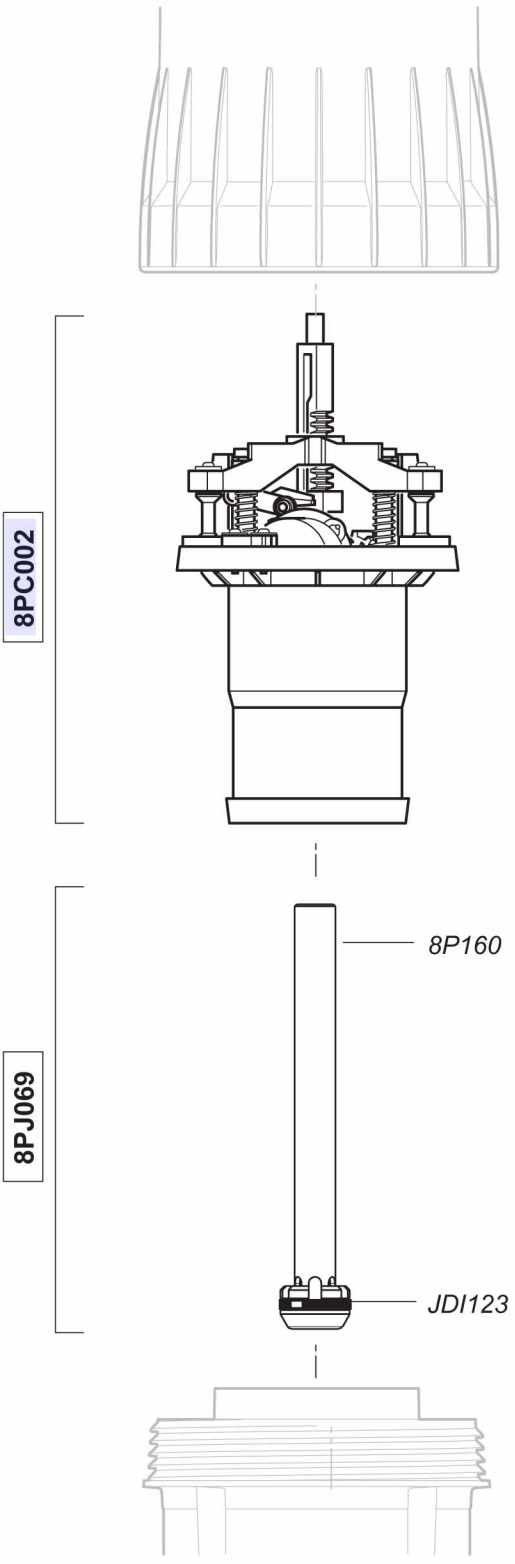
D8RE5

8 m³/h - 1 - 5%
40 GPM - 1:100 - 1:20
0.15 - 8 bar
2.2 - 116 psi



D8RE5

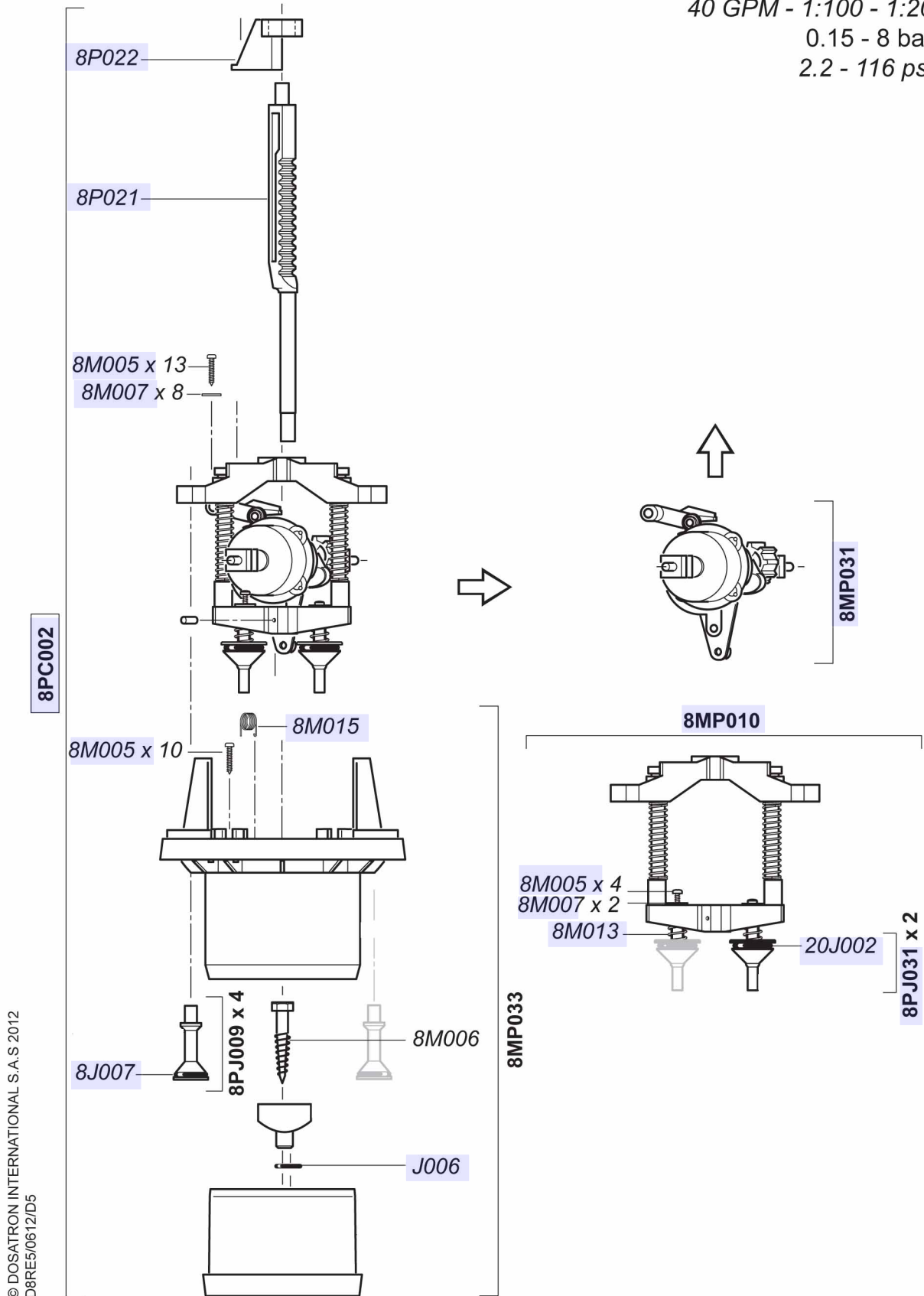
8 m³/h - 1 - 5%
40 GPM - 1:100 - 1:20
0.15 - 8 bar
2.2 - 116 psi



© DOSATRON INTERNATIONAL S.A.S 2012
D8RE5/0612/D4

D8RE5

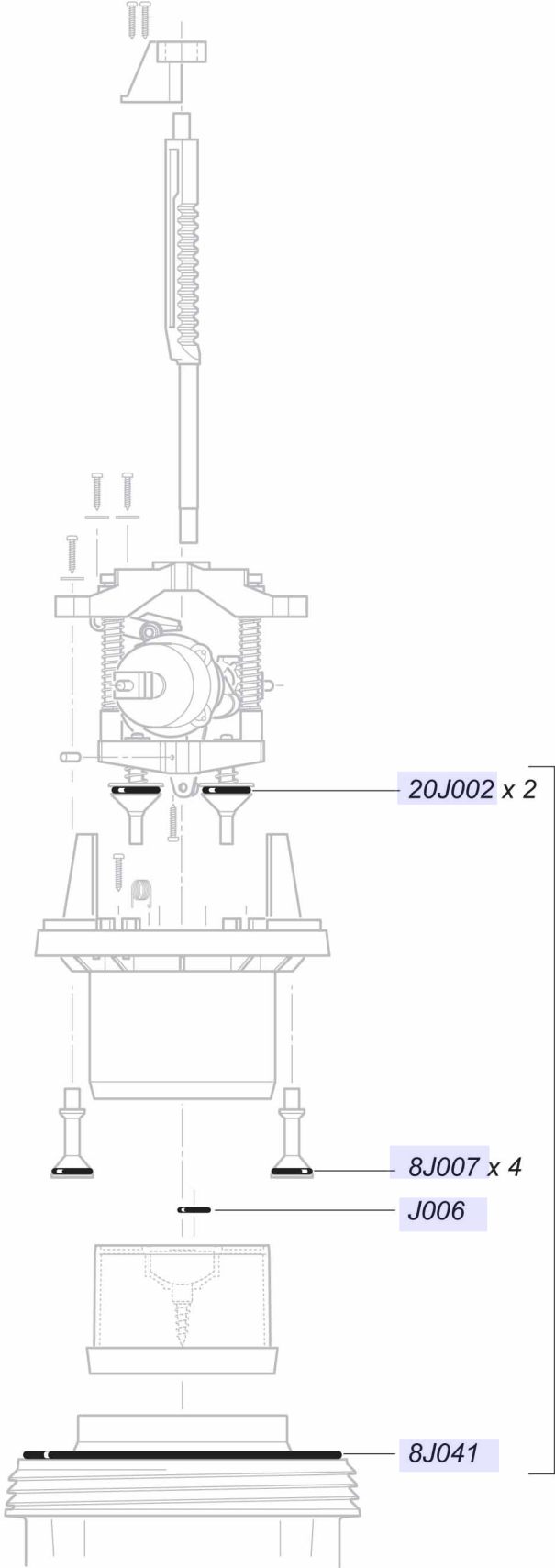
8 m³/h - 1 - 5%
 40 GPM - 1:100 - 1:20
 0.15 - 8 bar
 2.2 - 116 psi



© DOSATRON INTERNATIONAL S.A.S 2012
 D8RE5/0612/D5

D8RE5

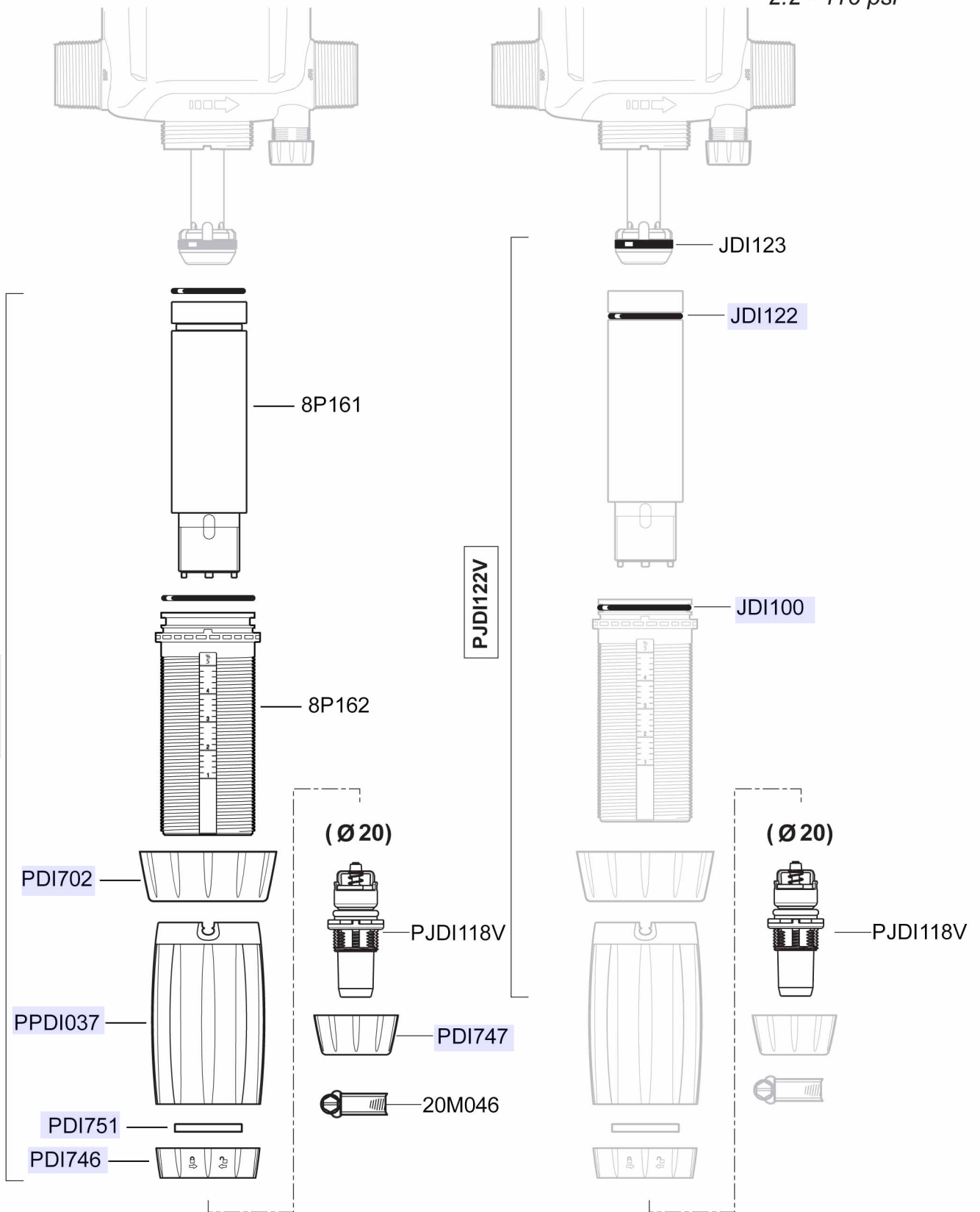
8 m³/h - 1 - 5%
40 GPM - 1:100 - 1:20
0.15 - 8 bar
2.2 - 116 psi



© DOSATRON INTERNATIONAL S.A.S. 2012
D8RE5/0612/D6

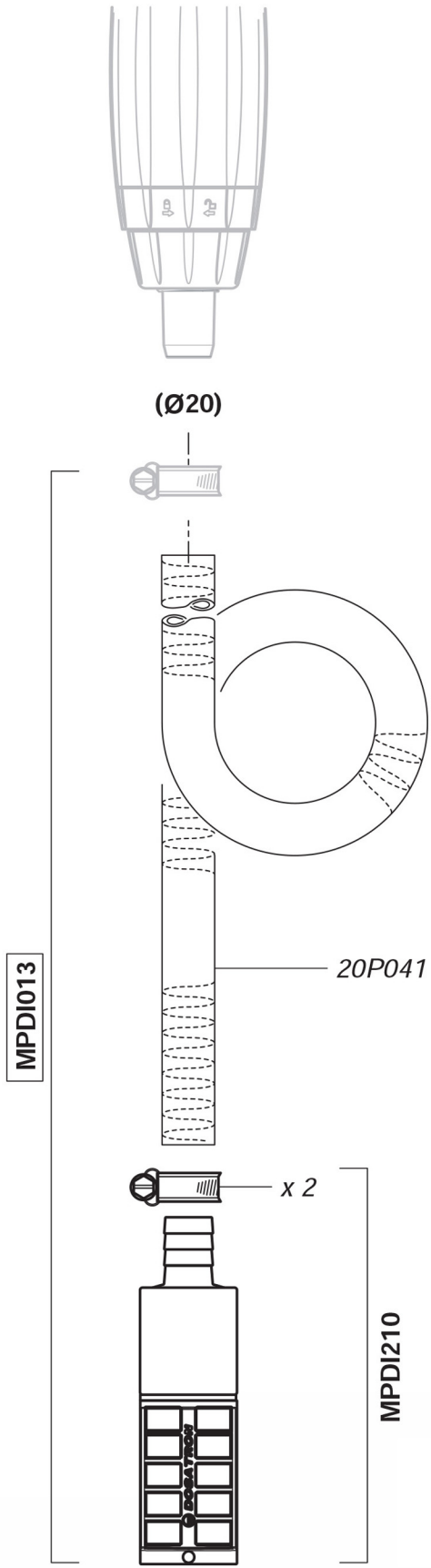
D8RE5

8 m³/h - 1 - 5%
 40 GPM - 1:100 - 1:20
 0.15 - 8 bar
 2.2 - 116 psi



D8RE5

8 m³/h - 1 - 5%
40 GPM - 1:100 - 1:20
0.15 - 8 bar
2.2 - 116 psi



© DOSATRON INTERNATIONAL S.A.S 2012
D8RE5/0612/D10