



# DOSATRON®

WATER POWERED DOSING TECHNOLOGY



## D128R - 7 GPM INTERACTIVE SCHEMATICS

### UNIT SPECIFICATIONS

- 1:200/1:128/1:100
- 7 - 70 PSI
- 3/4" NPT Connection

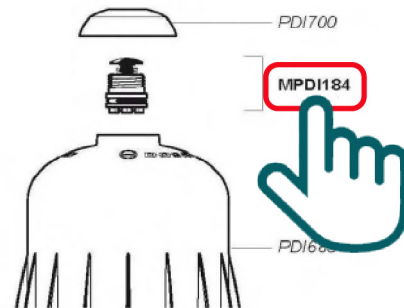
### SUGGESTED INSTALLATION

- 200 mesh/80 micron water filter prior to the unit
- One-way check valve down-stream from the unit for water hammer protection

### SUGGESTED MAINTENANCE

- Rebuild Kit  
Part #: [MKD128R](#)  
Extends the life of your unit

### DOCUMENT INSTRUCTIONS

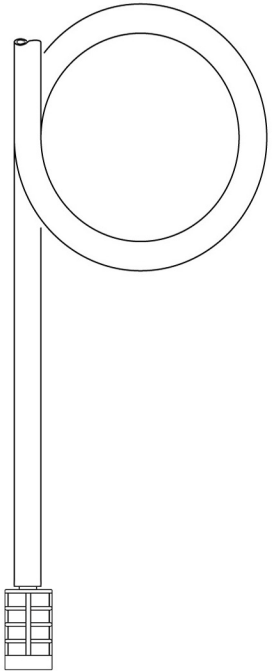
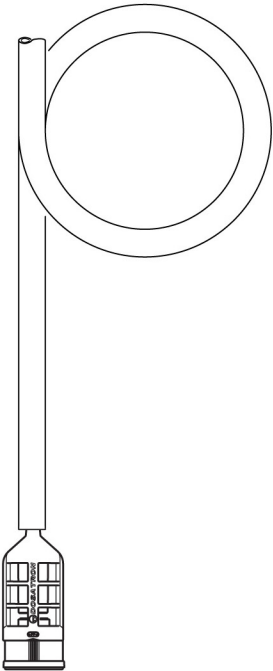
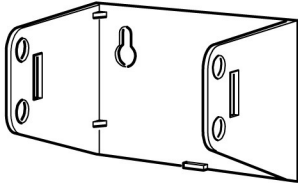
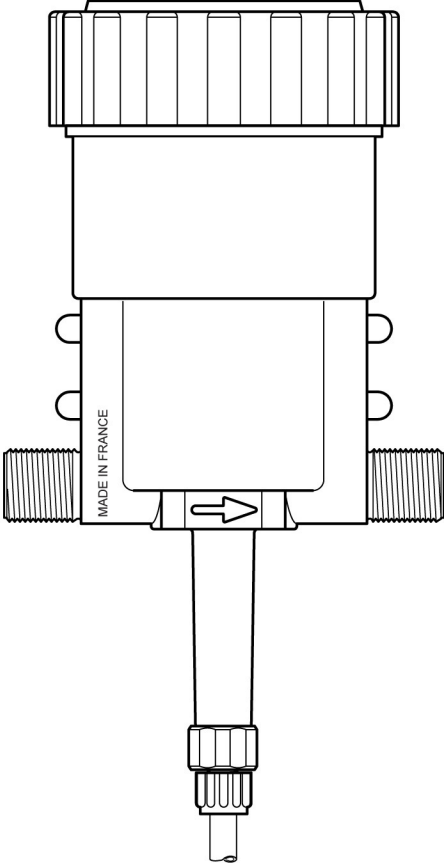


- Click on a part #, to visit item page
- Click arrow back from item page, to return to this document



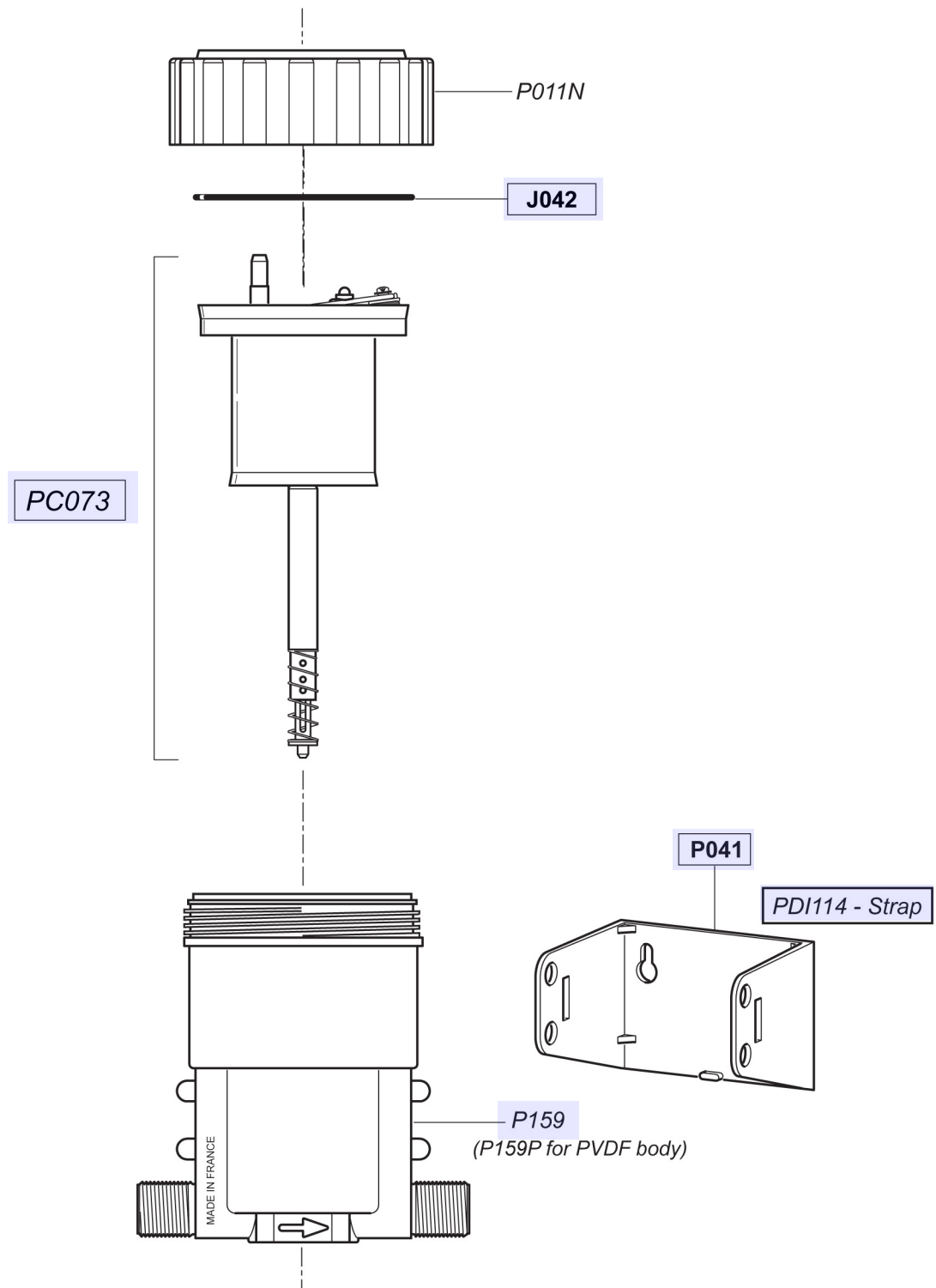
D128R

7 GPM - 1:200 - 1:128 - 1:100  
7 - 70 psi

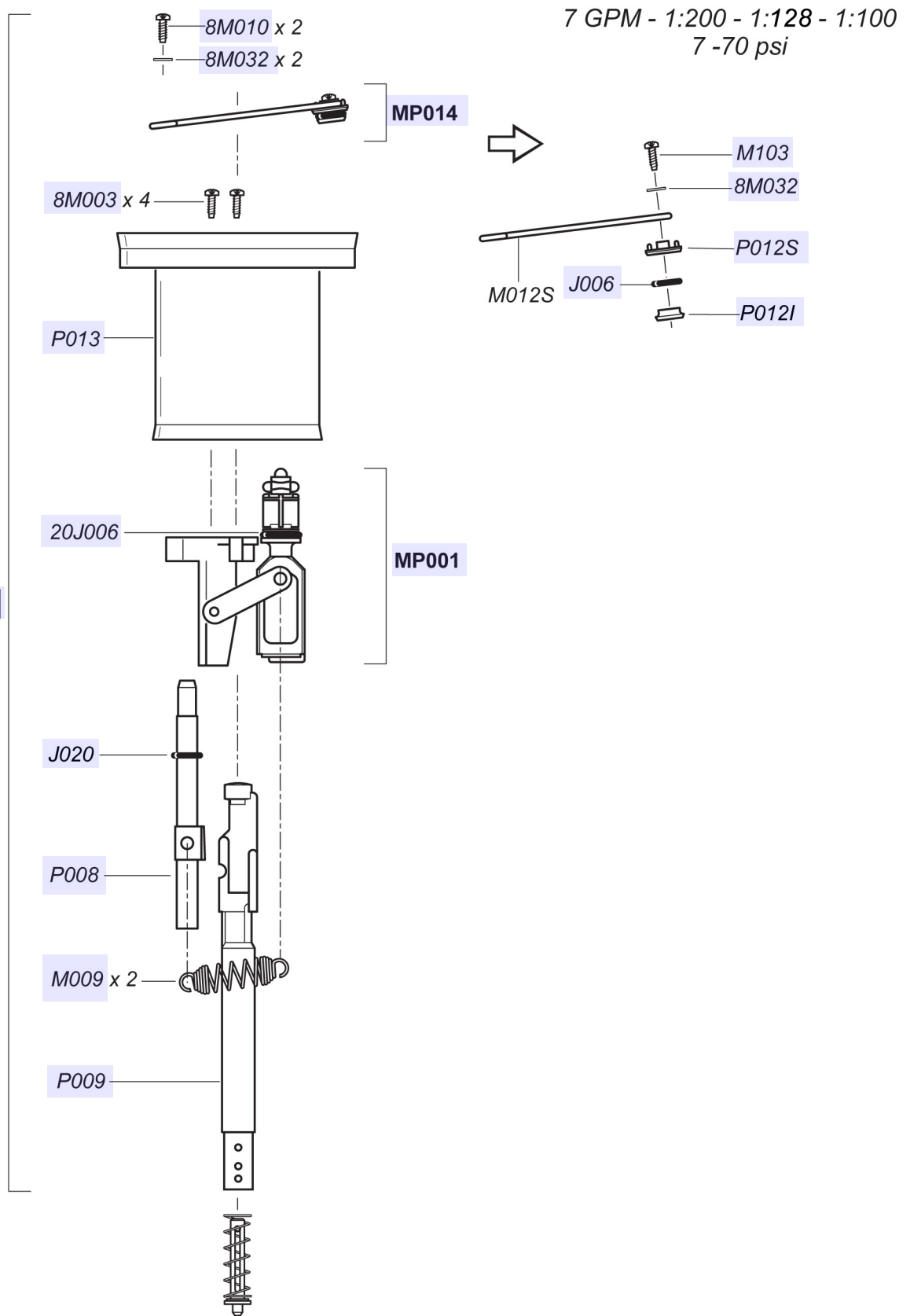


# D128R

7 GPM - 1:200 - 1:128 - 1:100  
7 - 70 psi

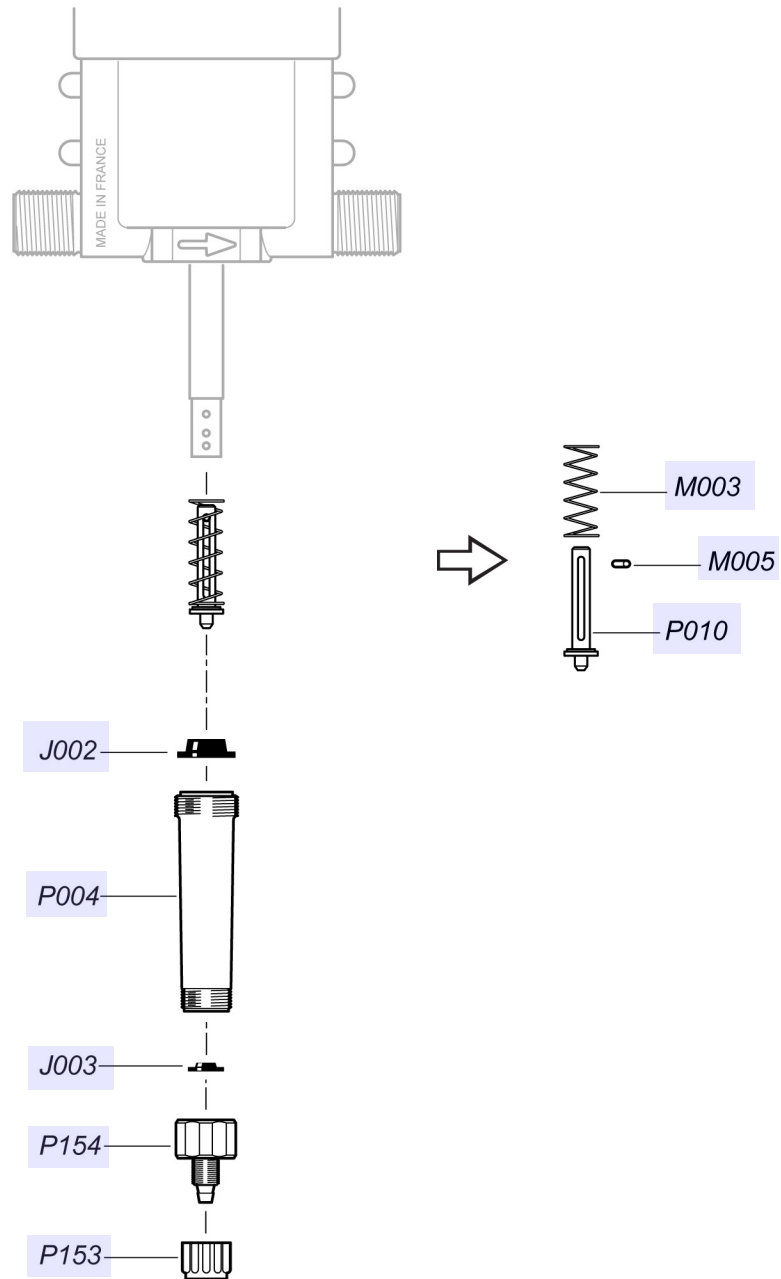


# D128R



# D128R

7 GPM - 1:200 - 1:128 - 1:100  
7 - 70 psi



**D128R**  
11/03

7 GPM - 1:200 - 1:128 - 1:100  
7 - 70 psi

