



# DOSATRON®

An Ingersoll Rand Business



## D07RE5 - 3 GPM INTERACTIVE SCHEMATICS

### UNIT SPECIFICATIONS

- 1:128 - 1:18
- 4.3 - 85 PSI
- 3/4" NPT Connection

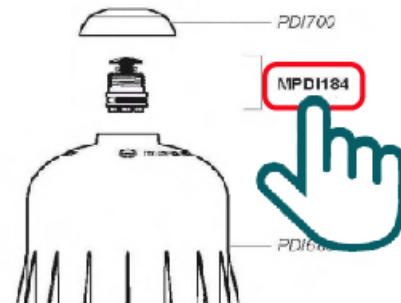
### SUGGESTED INSTALLATION

- 200 mesh/80 micron water filter prior to the unit

### SUGGESTED MAINTENANCE

- Injection Seal Kit  
Part #: [PJDI095](#)  
For yearly maintenance

### DOCUMENT INSTRUCTIONS

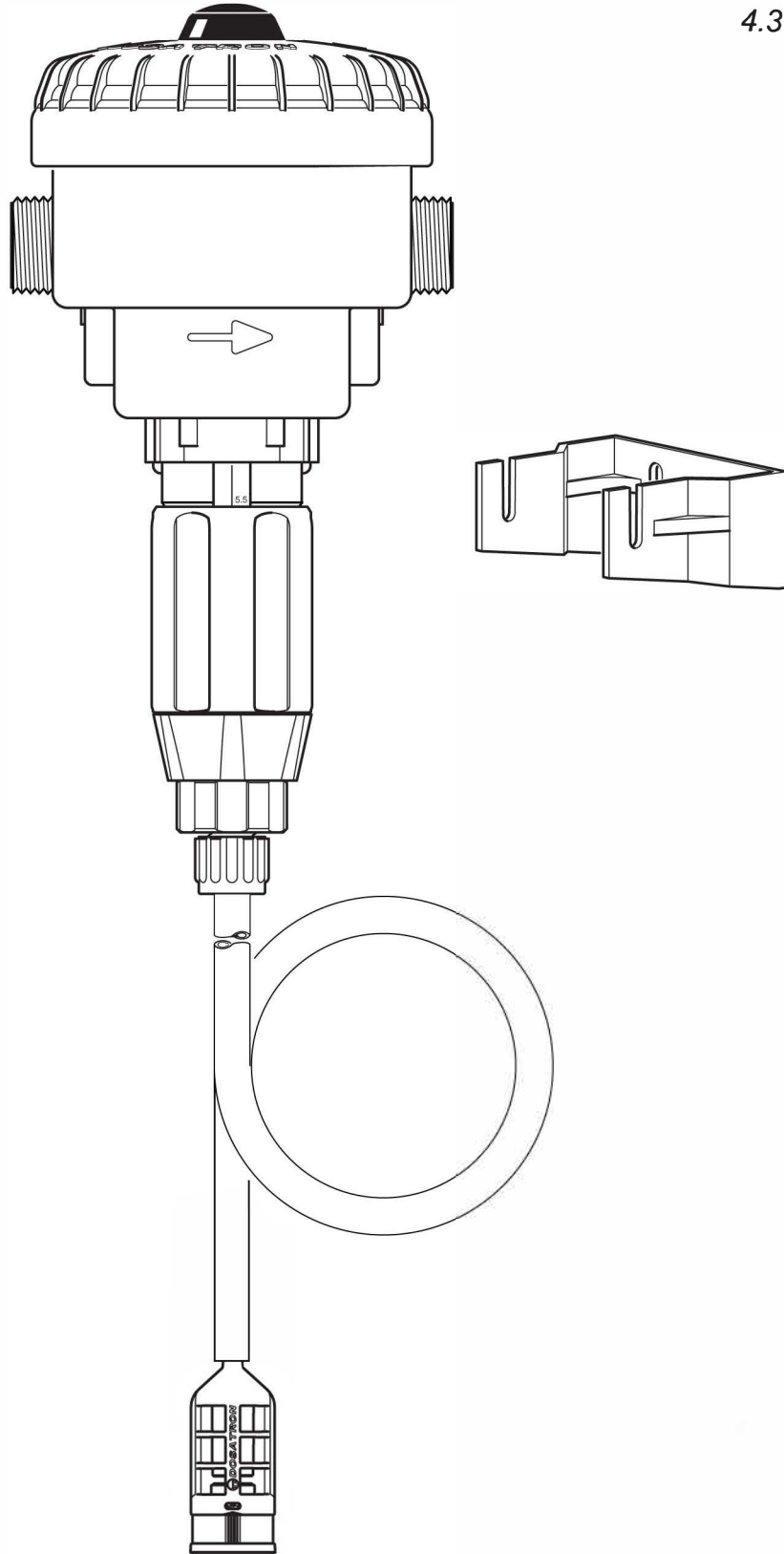


- Click on a part #, to visit item page
- Click arrow back from item page, to return to this document



# D07RE5

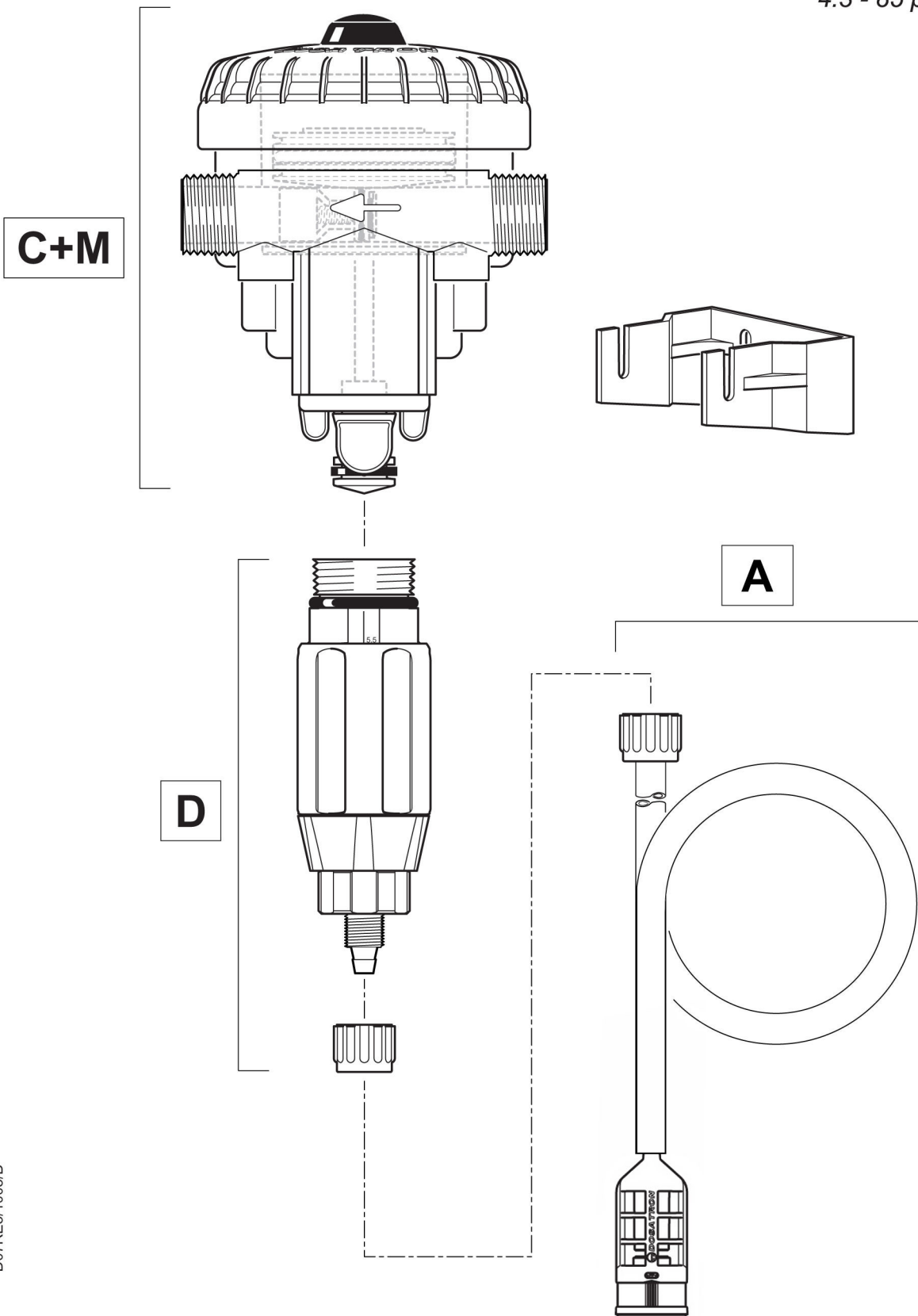
0.7 m<sup>3</sup>/h - 0.8 - 5.5 %  
3 GPM - 1:128 - 1:18  
0.3 - 6 bar  
4.3 - 85 psi



D07RE5/1005/D

# D07RE5

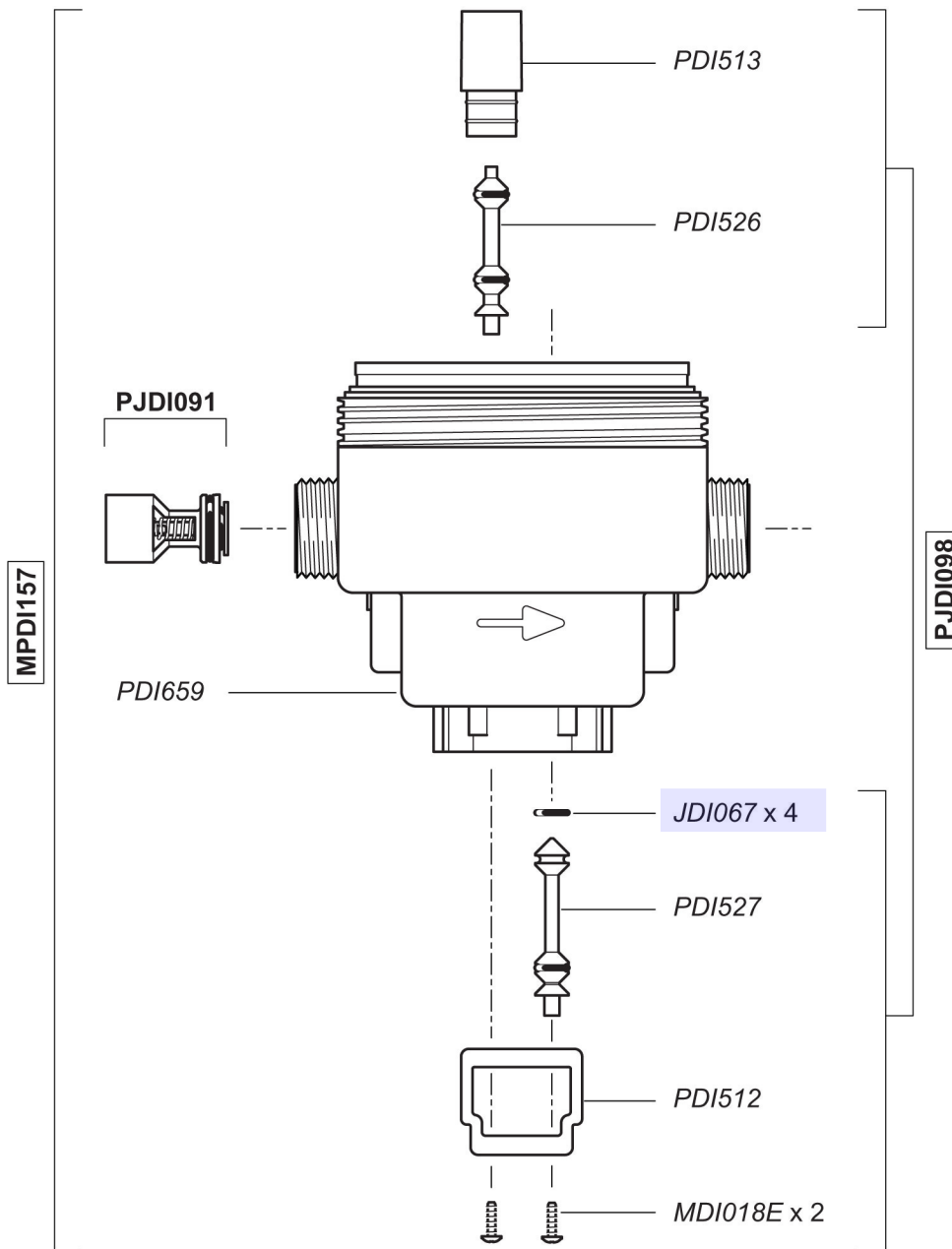
0.7 m<sup>3</sup>/h - 0.8 - 5.5 %  
3 GPM - 1:128 - 1:18  
0.3 - 6 bar  
4.3 - 85 psi



D07RE5/1005/D

# D07RE5

0.7 m<sup>3</sup>/h - 0.8 - 5.5 %  
3 GPM - 1:128 - 1:18  
0.3 - 6 bar  
4.3 - 85 psi



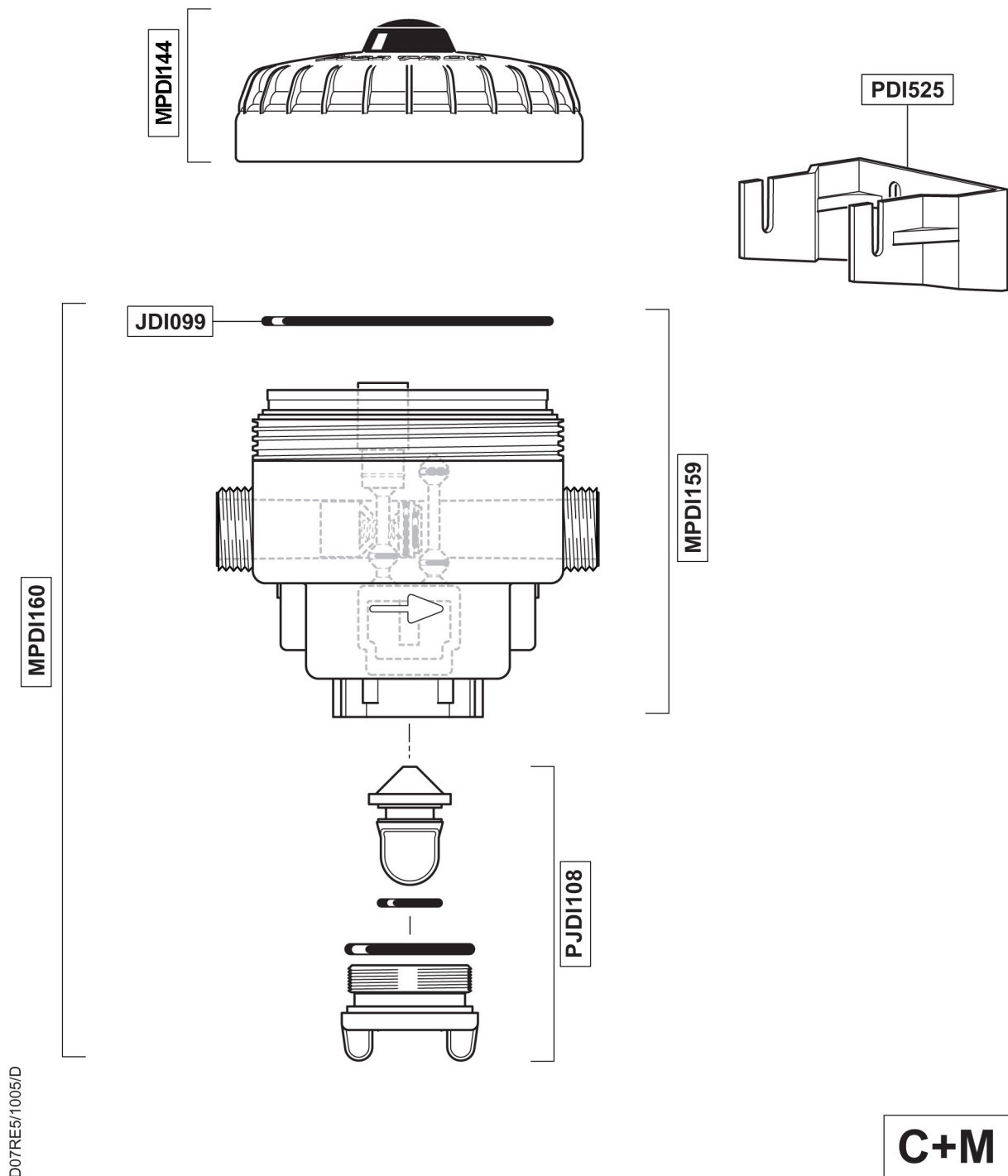
D07RE5/1005/D





# D07RE5

0.7 m<sup>3</sup>/h - 0.8 - 5.5 %  
3 GPM - 1:128 - 1:18  
0.3 - 6 bar  
4.3 - 85 psi

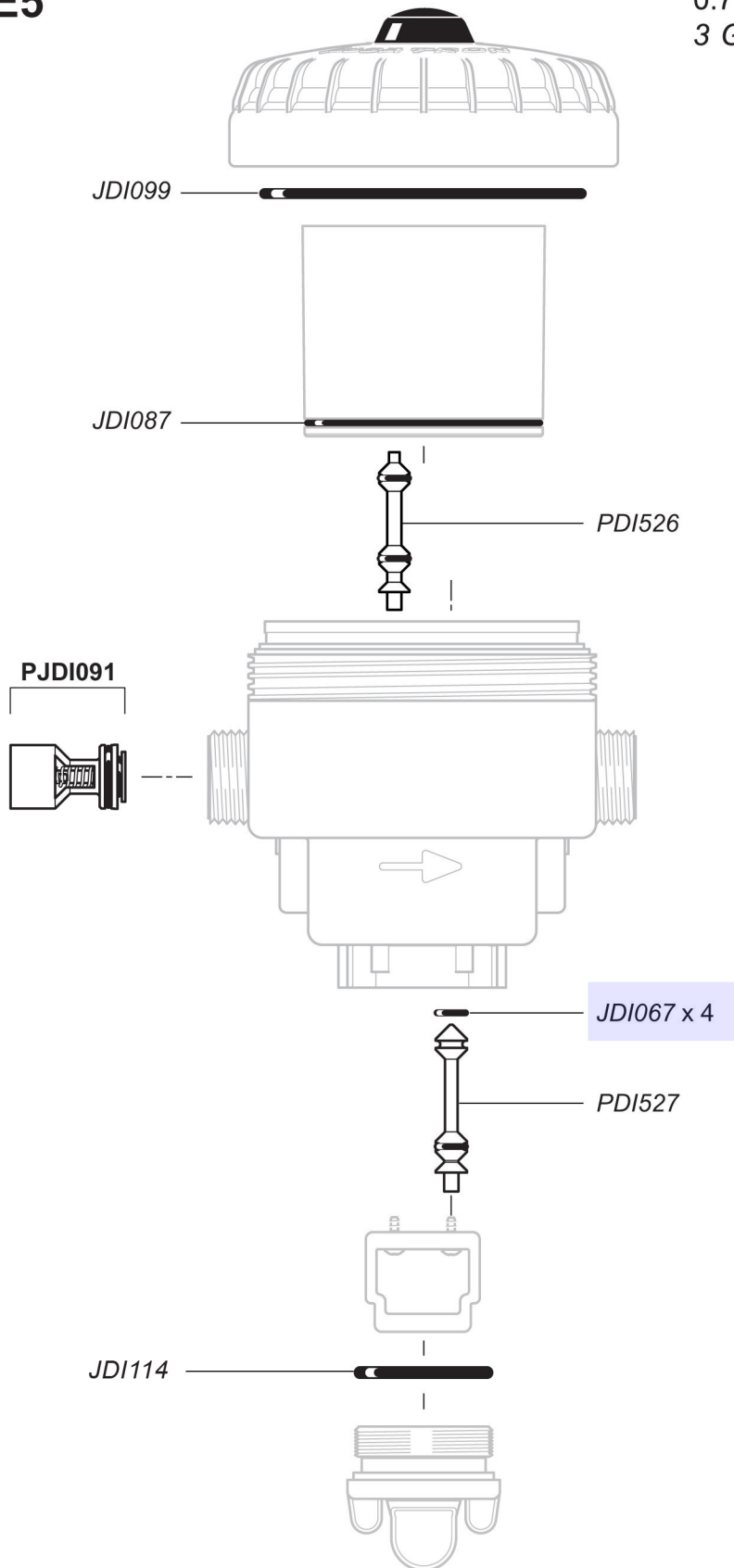


D07RE5/1005/D

**C+M**

# D07RE5

0.7 m<sup>3</sup>/h - 0.8 - 5.5 %  
3 GPM - 1:128 - 1:18  
0.3 - 6 bar  
4.3 - 85 psi

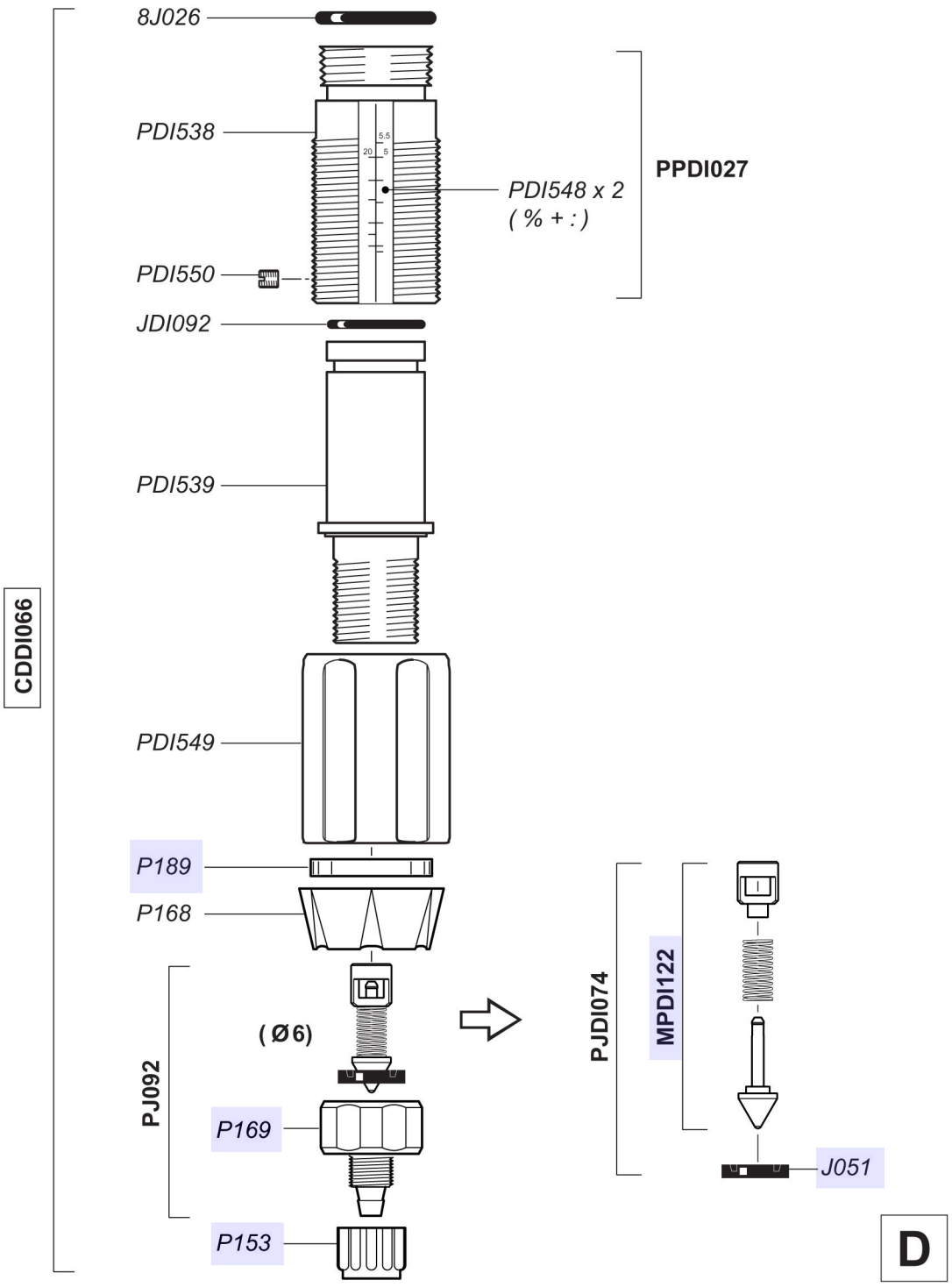
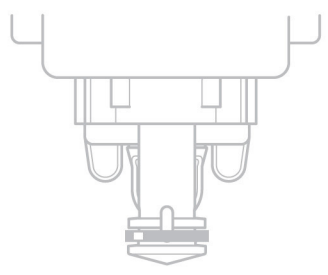


D07RE5/1005/D

**C+M**

# D07RE5

0.7 m<sup>3</sup>/h - 0.8 - 5.5 %  
 3 GPM - 1:128 - 1:18  
 0.3 - 6 bar  
 4.3 - 85 psi

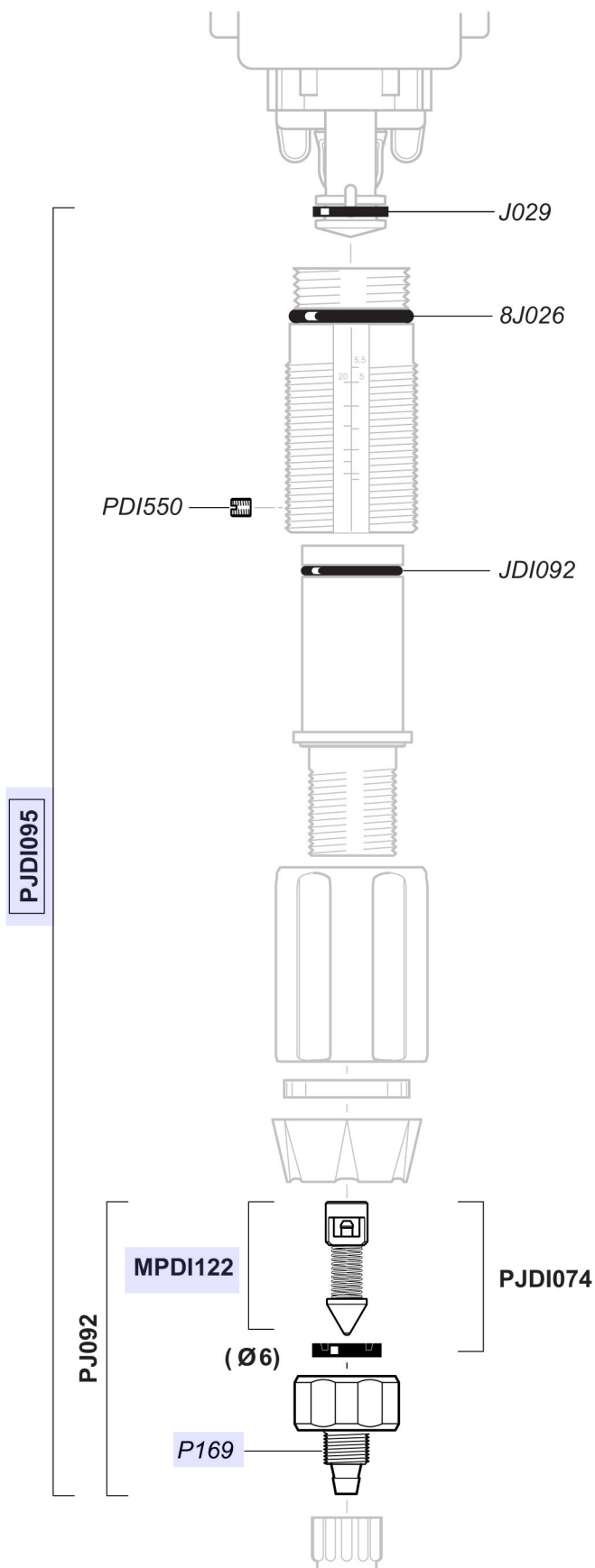


D07RE5/1005/D



# D07RE5

0.7 m<sup>3</sup>/h - 0.8 - 5.5 %  
3 GPM - 1:128 - 1:18  
0.3 - 6 bar  
4.3 - 85 psi

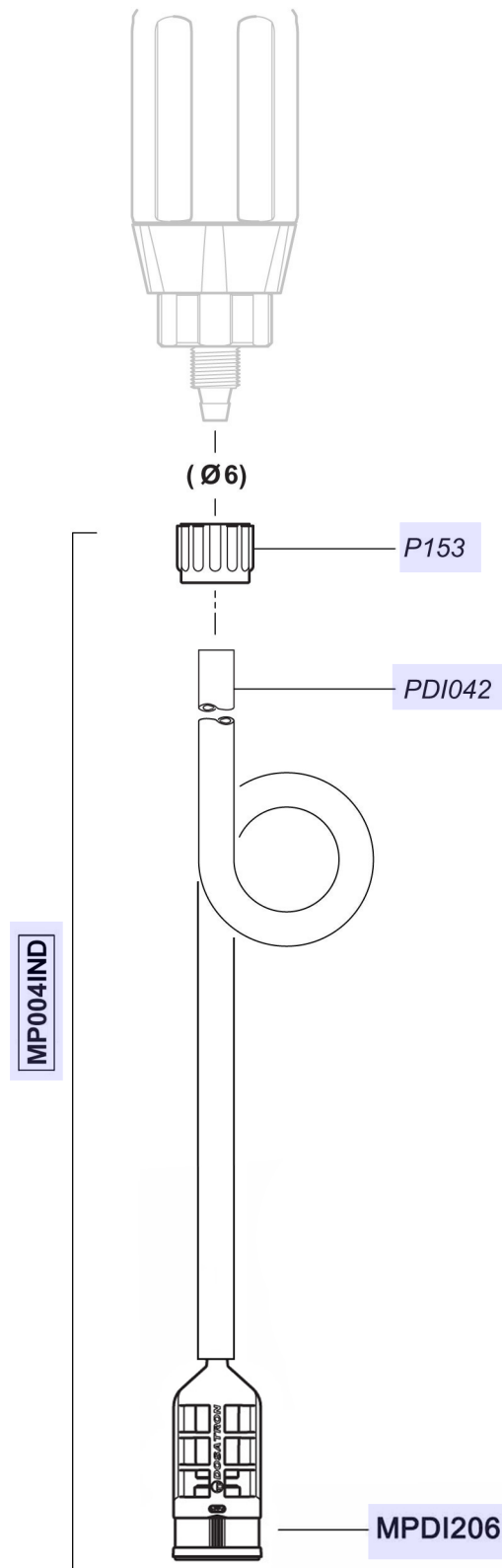


D07RE5/1005/D

**D**

# D07RE5

0.7 m<sup>3</sup>/h - 0.8 - 5.5 %  
3 GPM - 1:128 - 1:18  
0.3 - 6 bar  
4.3 - 85 psi



D07RE5/1005/D

A