



DOSATRON®

WATER POWERED DOSING TECHNOLOGY



D25F - 11 GPM INTERACTIVE SCHEMATICS

UNIT SPECIFICATIONS

- 1:128 FIXED
- 4.3 - 85 PSI
- 3/4" NPT Connection

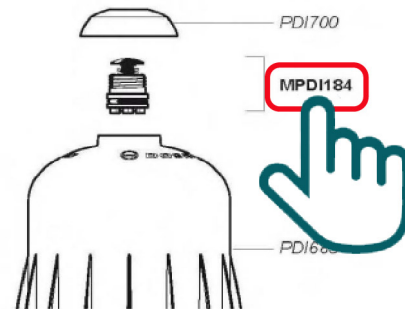
SUGGESTED INSTALLATION

- 200 mesh/80 micron water filter prior to the unit
- One-way check valve down-stream from the unit for water hammer protection

SUGGESTED MAINTENANCE

- Injection Seal Kit
Part #: [PJ117](#)
For yearly maintenance
- Rebuild Kit
Part #: [MKD25F](#)
Extends the life of your unit

DOCUMENT INSTRUCTIONS

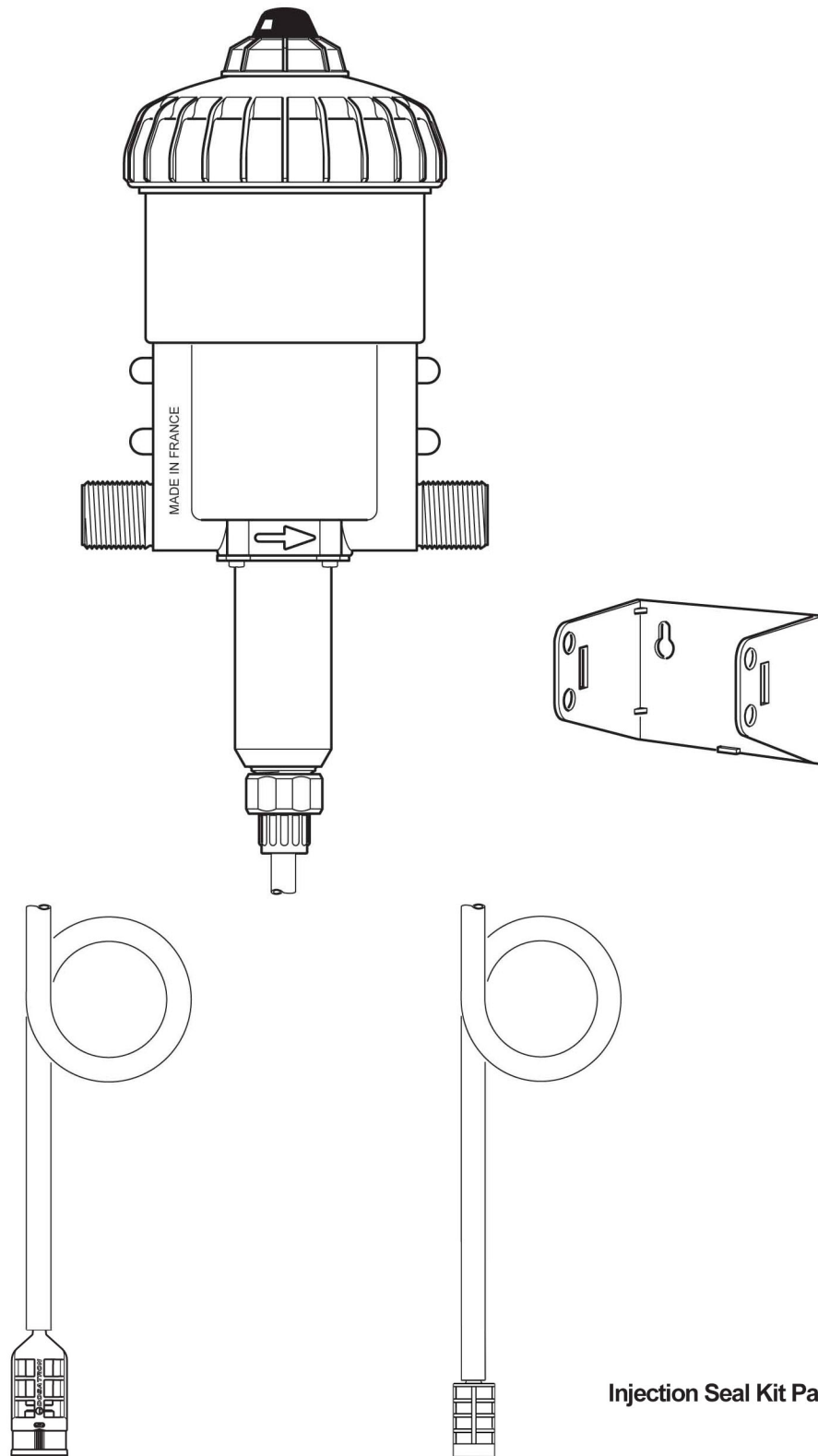


- Click on a part #, to visit item page
- Click arrow back from item page, to return to this document



D25F

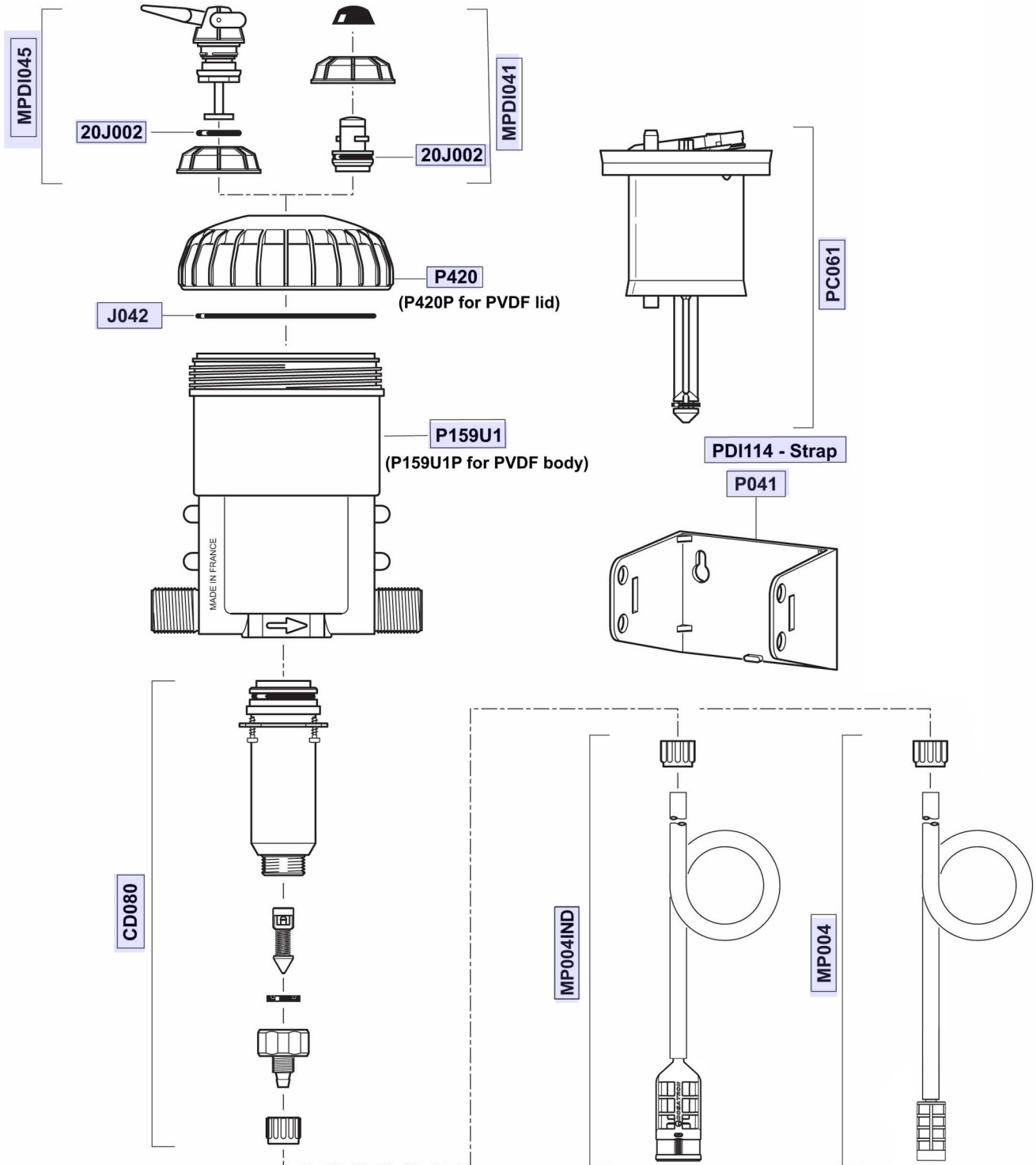
11 GPM - 1:128
4.3 - 85 psi



Injection Seal Kit Part #: PJ117

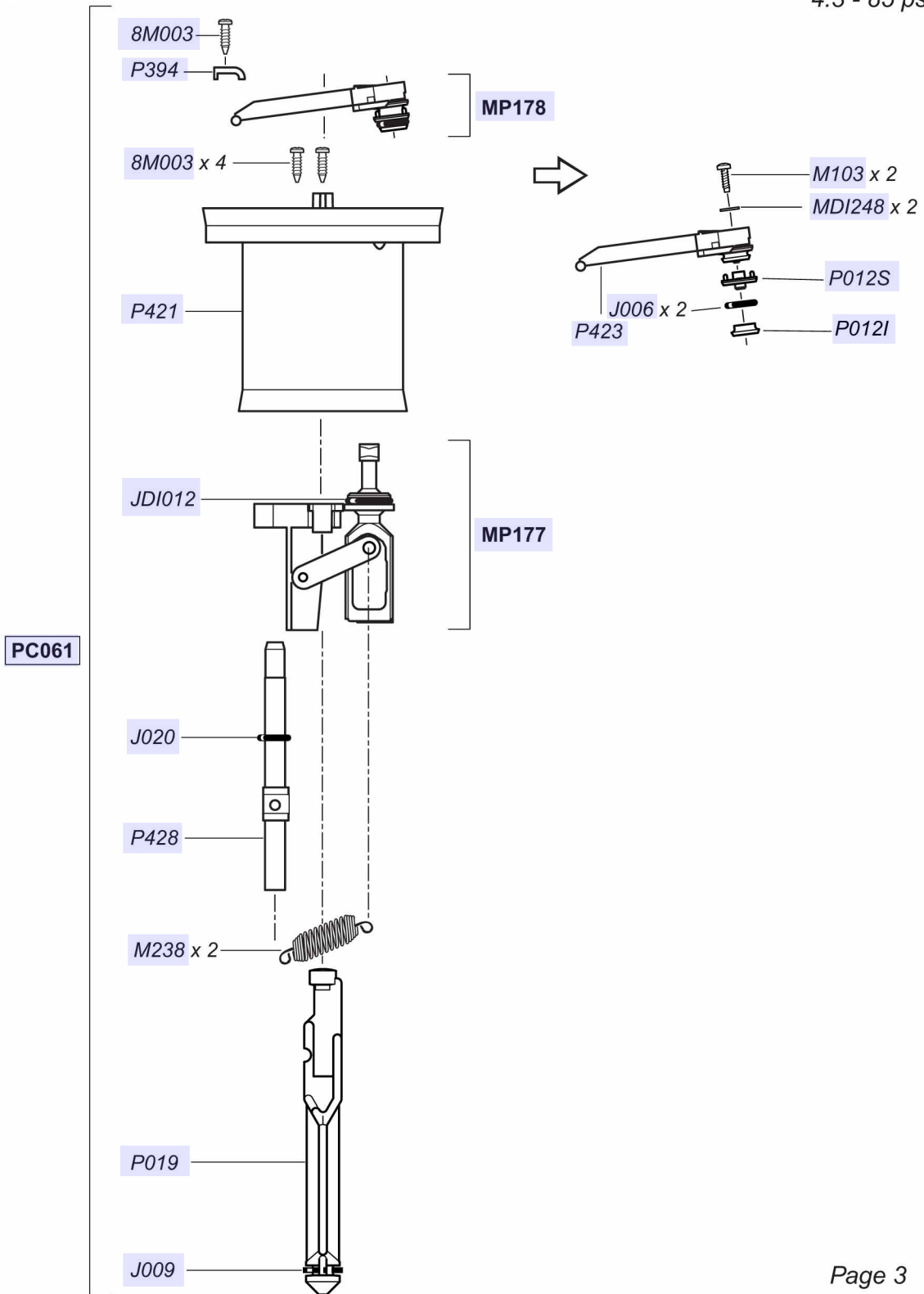
D25F

11 GPM - 1:128
4.3 - 85 psi



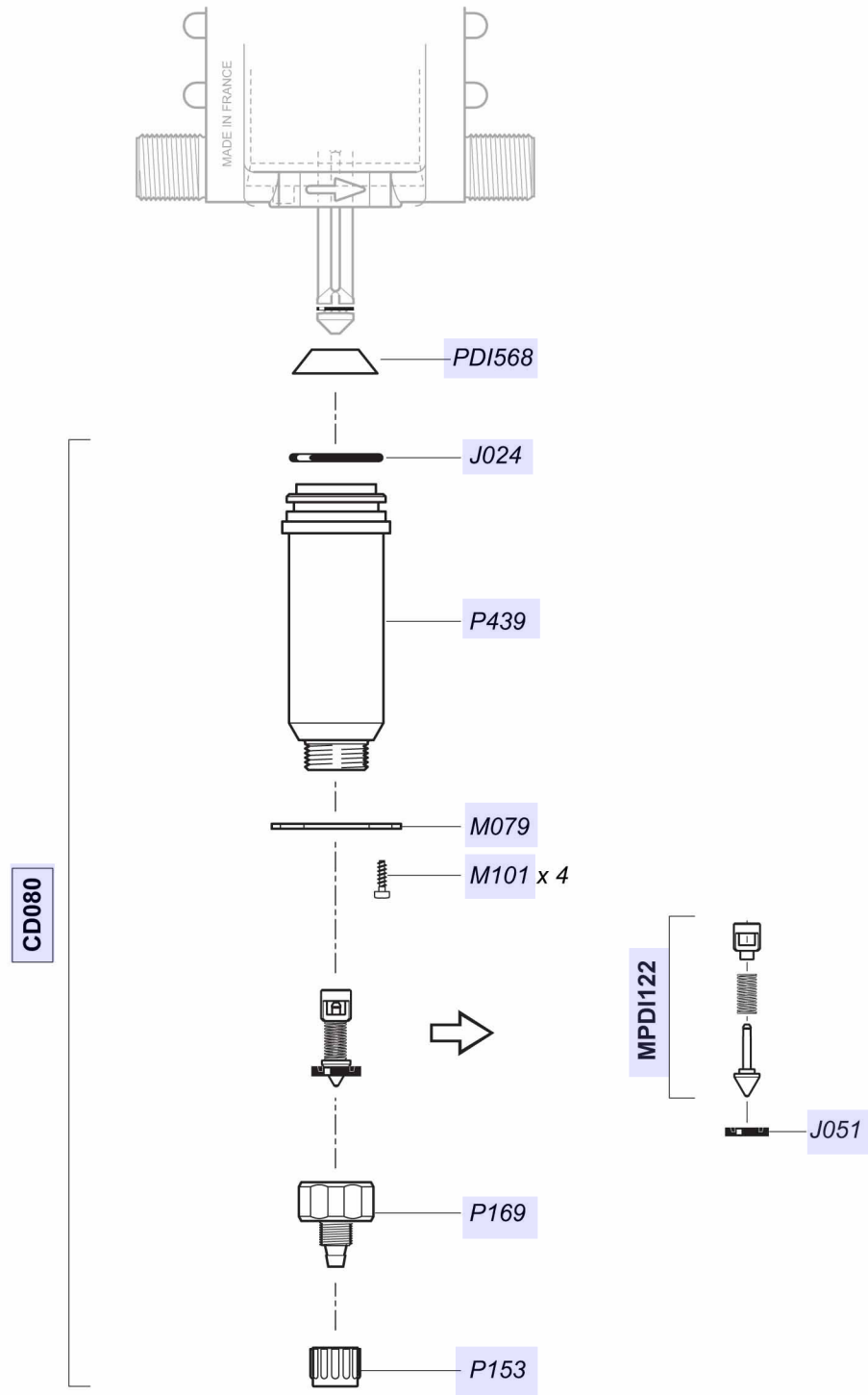
D25F

11 GPM - 1:128
4.3 - 85 psi



D25F

11 GPM - 1:128
4.3 - 85 psi



D25F

11 GPM - 1:128
4.3 - 85 psi

