



# DOSATRON®

WATER POWERED DOSING TECHNOLOGY

## D25RE2-11GPM Maintenance Kit

### Kit # MKD25RE2



#### This kit contains:

|             |                         |
|-------------|-------------------------|
| (1) J009    | Plunger Seal            |
| (1) J024    | Injection Sleeve O-ring |
| (1) J051    | Check Valve Seal        |
| (1) PJ121   | Injection Stem Assembly |
| (2) M238    | Actuator Springs        |
| (1) P421    | Piston Shell            |
| (1) MPDI122 | Check Valve Assembly    |

**GENUINE**  
**DOSATRON**  
PARTS



LIT-EN-MKD25RE2

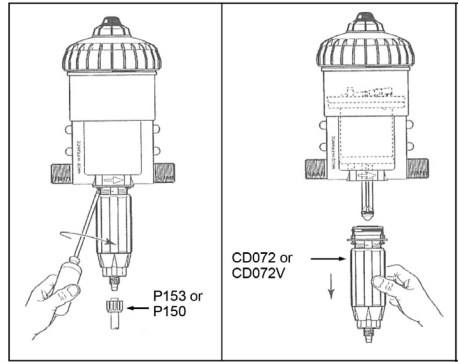
1-800-523-8499 • [www.dosatronusa.com](http://www.dosatronusa.com)

# MKD25RE2 Instructions

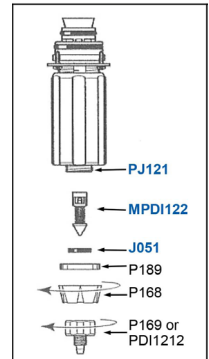
## Part 1 - Seal Kit

(Parts included in kit noted in **blue**)

1. Unscrew suction hose nut (P153 or P150) and remove suction hose. Using #2 Phillips screwdriver remove the four screws at the base of the unit.
2. Pull the injection stem assembly (CD072 or CD072V) down to remove it.

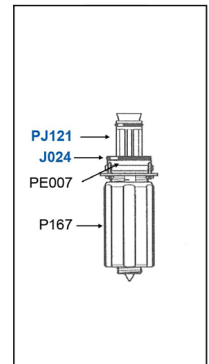


3. Unscrew the barb fitting (P169 or PDI1212), remove the **Check Valve Seal (J051)**, unscrew the conical nut (P168), remove the antifriction ring (P189), and carefully pry the **Check Valve Assembly (MPDI122)** from the stem.



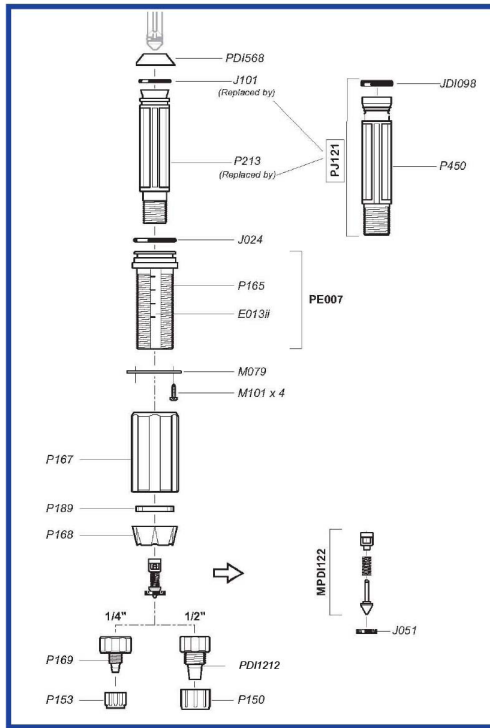
4. Unscrew the adjusting nut (P167), remove the **Injection Stem (PJ121)** from the top of the injection sleeve (PE007) and replace it with the new assembly found in the seal kit. Also replace the **Injection Sleeve O-ring (J024)** at the top.

5. Insert the new **Injection Stem (PJ121)** into the injection sleeve. Make sure the long groove in the injection stem aligns with the tooth inside the injection sleeve. Thread adjusting nut (P167) onto the injection sleeve assembly until reaches the top of the scale.

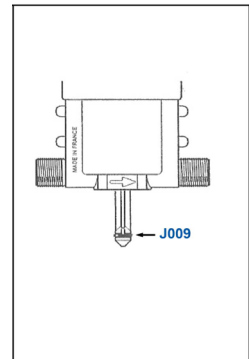


6. Slide the antifriction ring (P189) onto the injection stem (PJ121) and screw on the conical nut (P168). Insert new **Check Valve Assembly (MPDI122)** into the injection stem, the cone should point out. Make sure to push the new check valve assembly as far as possible into the stem. Position the **Check Valve Seal (J051)** into the barbed fitting with the groove facing up. Screw the check valve barb onto the **Injection Stem (PJ121)** it should be hand tight. (**Reference the image next to Step 3.**)

# D25RE2 Injection Stem Legend



7. Remove the old **Plunger Seal (J009)** and replace it with the new one.
8. Re-insert the injection stem assembly (CD072 or CD072V) into the body. **(Reference the image next to Step 2.)**
9. Align the metal retaining plate with the holes in the body and using a #2 Phillips screwdriver, install the 4 screws. Reattach suction hose to barb fitting (P169 or PDI1212) and tighten suction hose nut (P153 or P150). **(Reference the image next to Step 1.)**



**DO NOT FORGET TO RESET YOUR INJECTION RATE TO THE PROPER RATIO.**

# MKD25RE2 Instructions

## Part 2 - Piston Kit

(Parts included in kit noted in **blue**)

1. Remove the blue lid.
2. Lift piston from unit.
3. Remove screw from wishbone assembly (at the top of the piston) and slide actuator valve out from the wishbone.
4. Remove the 4 screws from the middle of the shell. The mechanism will drop out.
5. Remove the **Actuator Springs (M238)** and replace.
6. Replace the mechanism into new **Piston Shell (P421)**. Make sure to tighten the screws holding the mechanism properly.

