



DOSATRON®

WATER POWERED DOSING TECHNOLOGY



D132MZ30000 - 132 GPM INTERACTIVE SCHEMATICS

UNIT SPECIFICATIONS

- 1:30,000 - 1:3000
- 7 - 87 PSI
- 3" NPT Connection

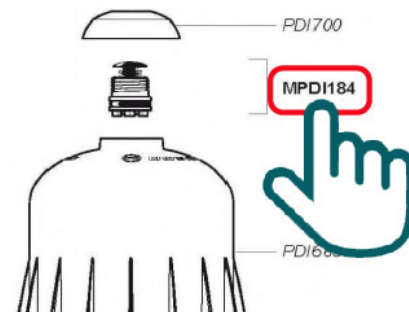
SUGGESTED INSTALLATION

- 200 mesh/80 micron water filter prior to the unit
- One-way check valve down-stream from the unit for water hammer protection

SUGGESTED MAINTENANCE

- Mini-Maintenance Kit
Part #: [PJDI139MINI](#)
For regular maintenance
- Injection Seal Kit
Part #: [PJDI139](#)
For yearly maintenance
- Rebuild Kit
Part #: [MKD14MZ3000](#)
Extends the life of your unit

DOCUMENT INSTRUCTIONS

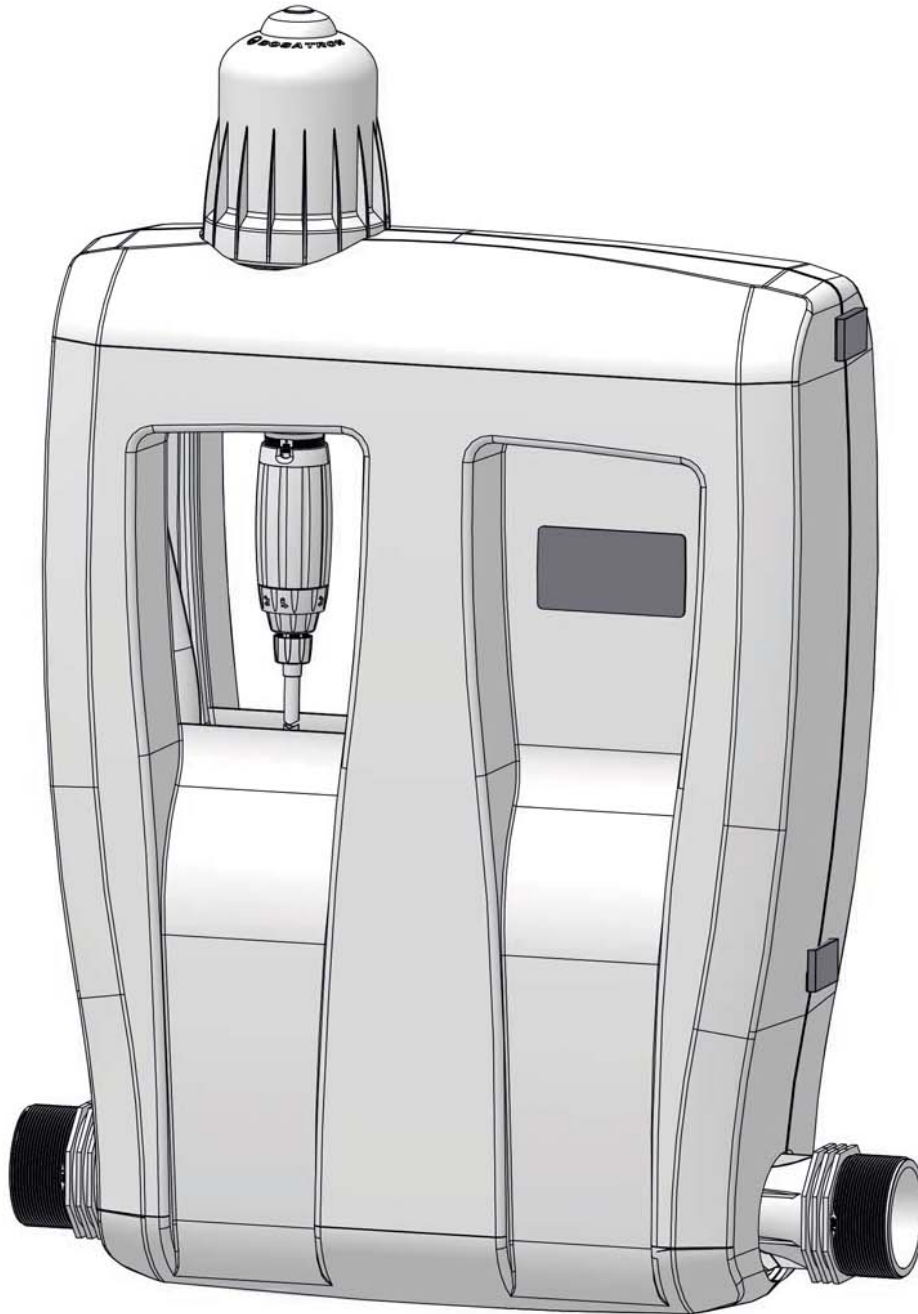


- Click on a part #, to visit item page
- Click arrow back from item page, to return to this document



D132MZ30000

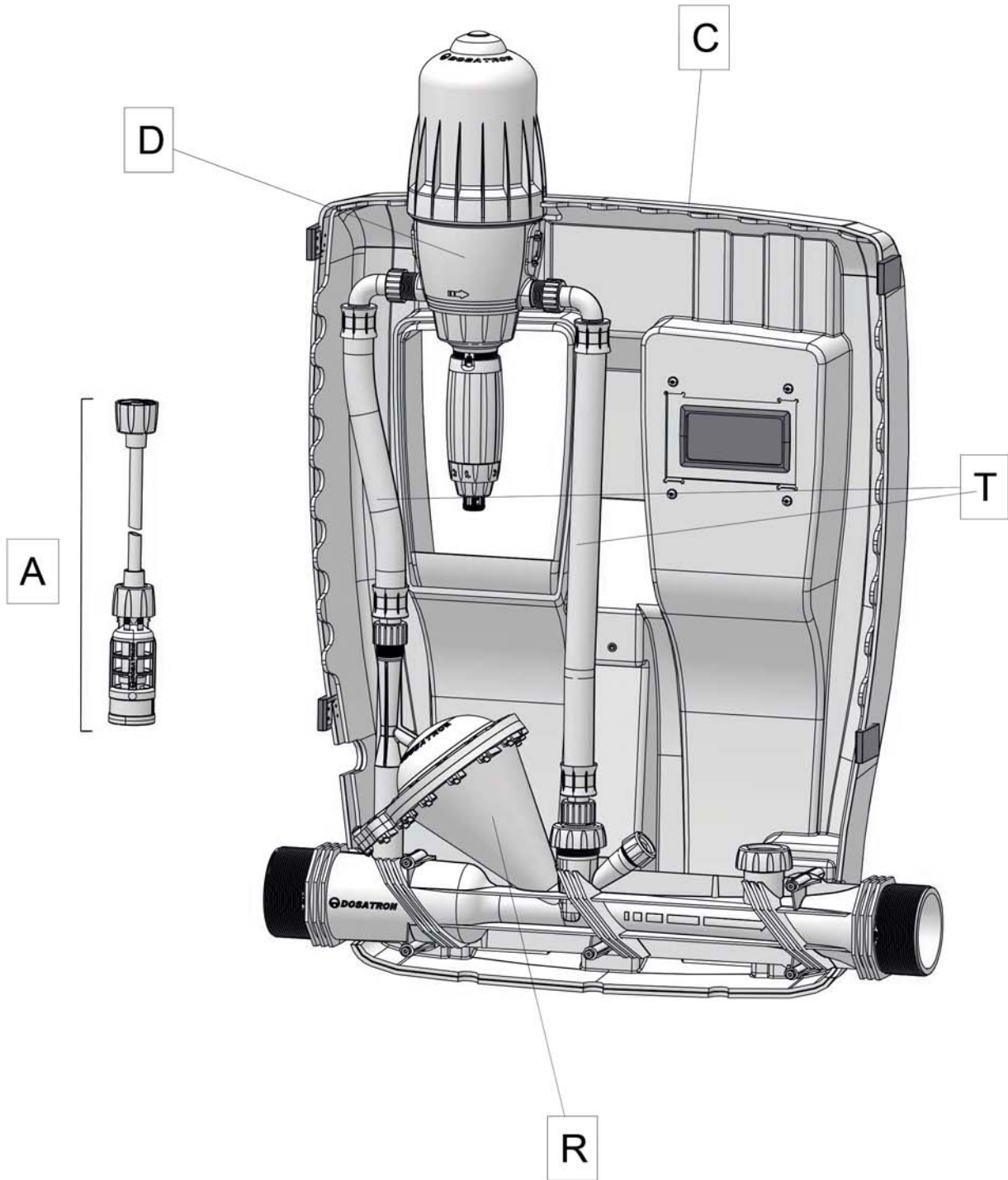
132 GPM - 1:30,000 - 1:3,000
0.003% - 0.03%
7 - 87 PSI
0.5 - 6 bar



Injection Seal Kit Part # **PJDI139**
Mini Maintenance Kit Part # **PJDI139MINI**
Rebuild Kit Part # **MKD14MZ3000**

D132MZ30000

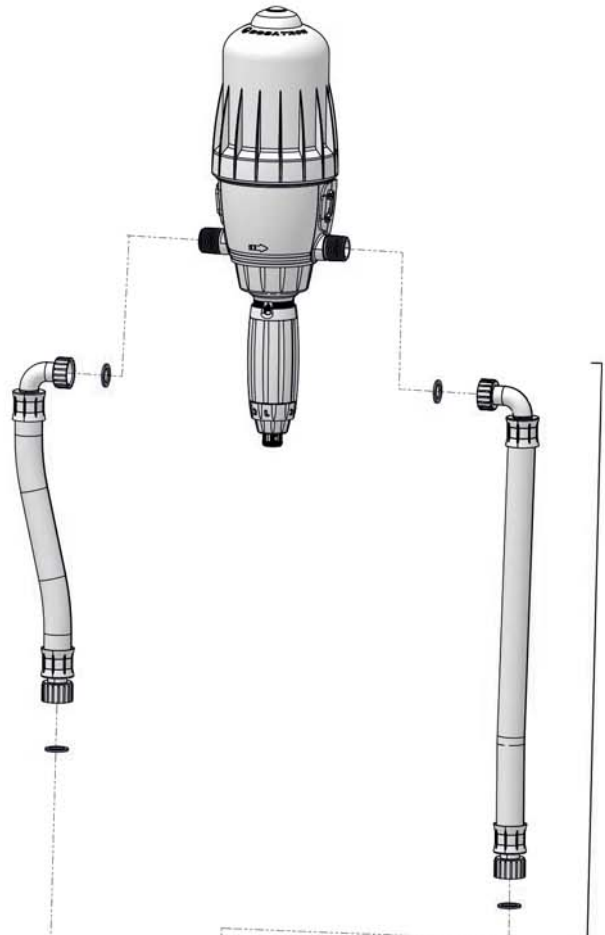
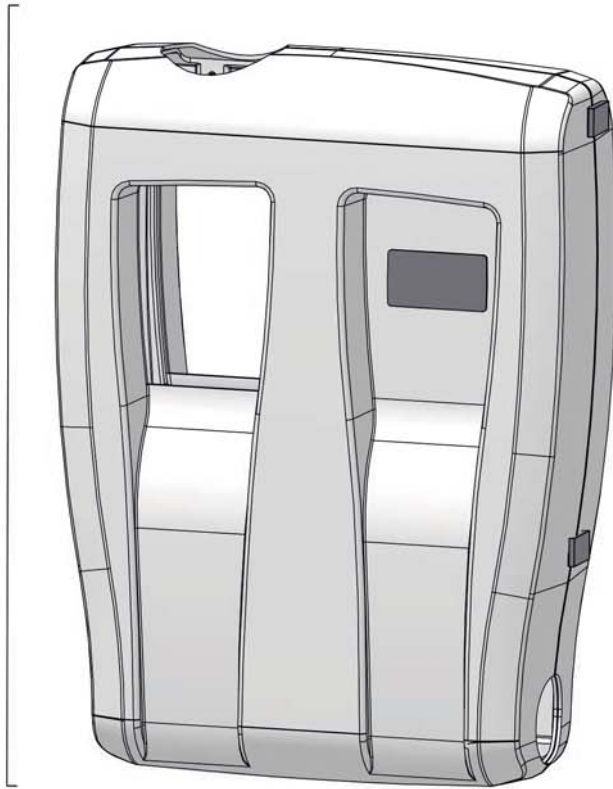
132 GPM - 1:30,000 - 1:3,000
0.003% - 0.03%
7 - 87 PSI
0.5 - 6 bar



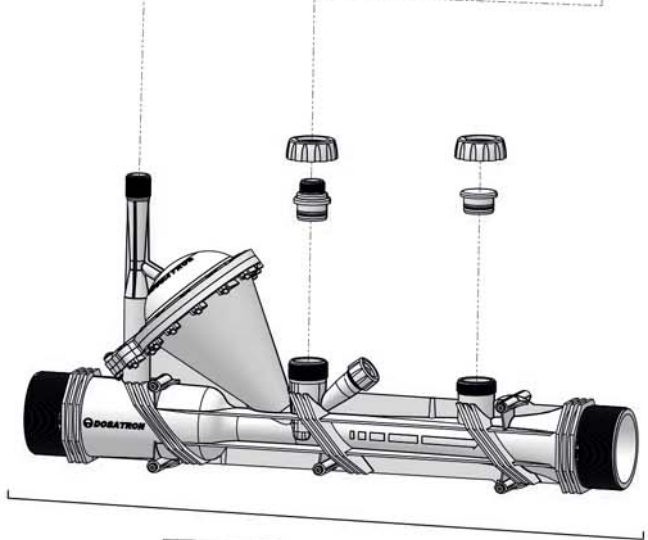
D132MZ30000

132 GPM - 1:30,000 - 1:3,000
0.003% - 0.03%
7 - 87 PSI
0.5 - 6 bar

PJDI176



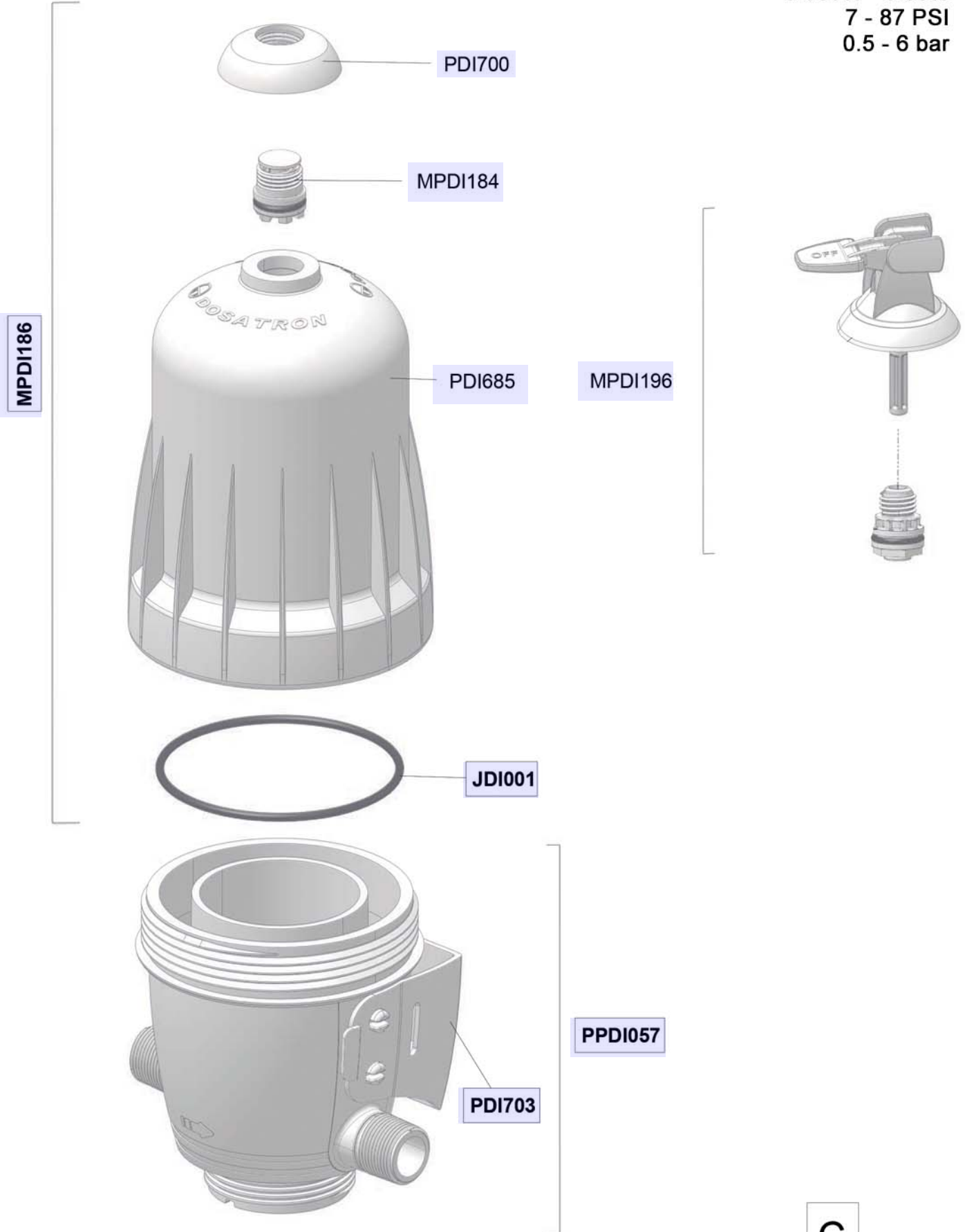
PJDI182



PJDI177NPT

D132MZ30000

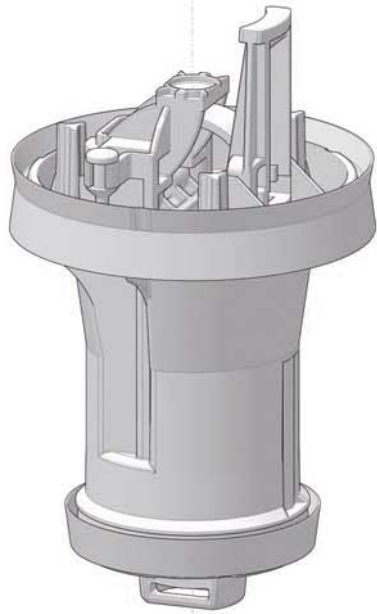
132 GPM - 1:30,000 - 1:3,000
0.003% - 0.03%
7 - 87 PSI
0.5 - 6 bar



D132MZ30000

132 GPM - 1:30,000 - 1:3,000
0.003% - 0.03%
7 - 87 PSI
0.5 - 6 bar

PCDI030



PJDI138



PDI921

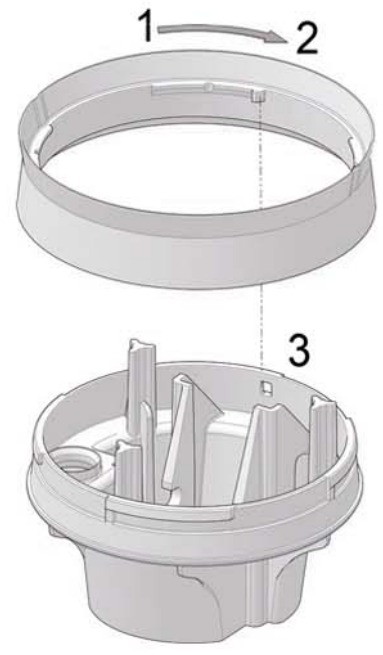
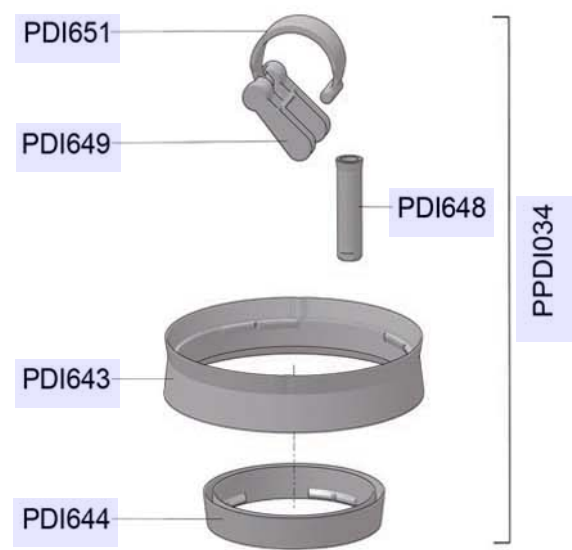
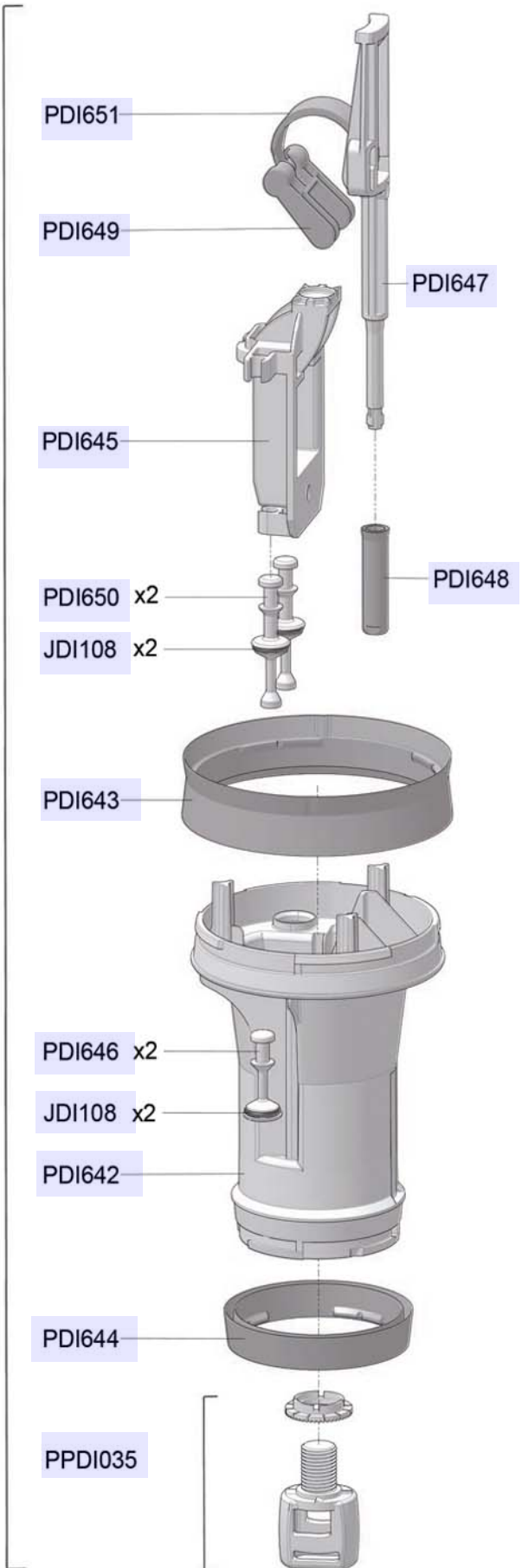
JDI148



D132MZ30000

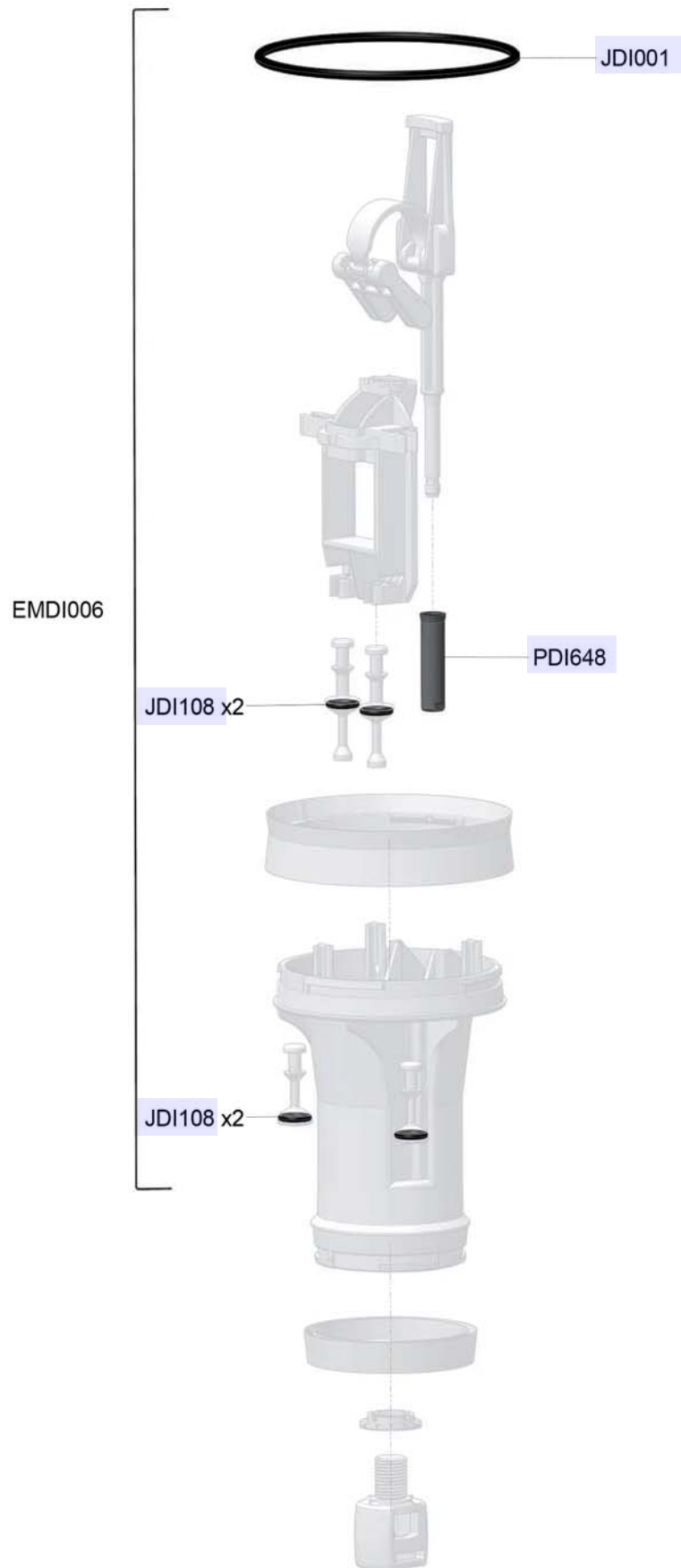
132 GPM - 1:30,000 - 1:3,000
 0.003% - 0.03%
 7 - 87 PSI
 0.5 - 6 bar

PCDI030



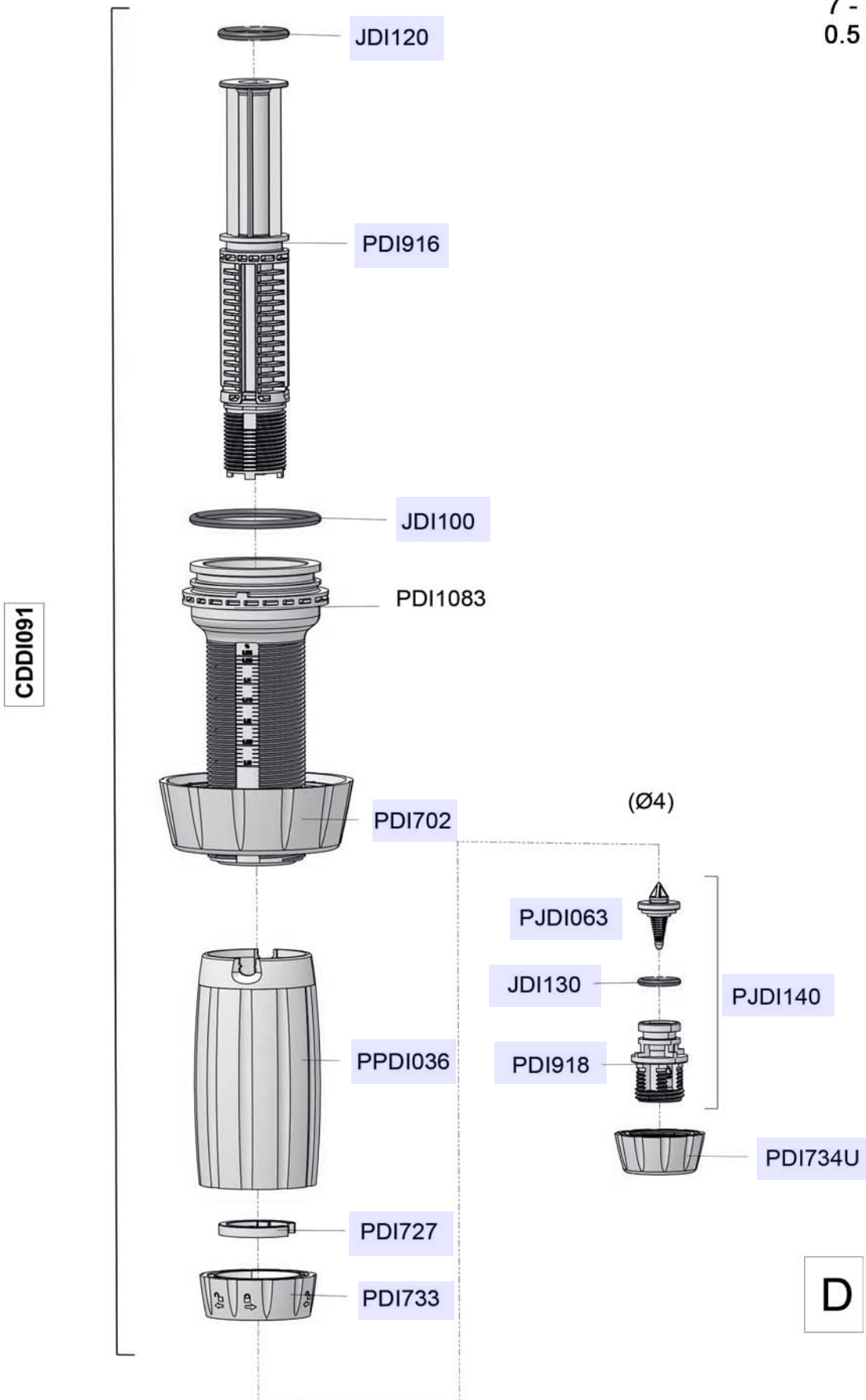
D132MZ30000

132 GPM - 1:30,000 - 1:3,000
0.003% - 0.03%
7 - 87 PSI
0.5 - 6 bar



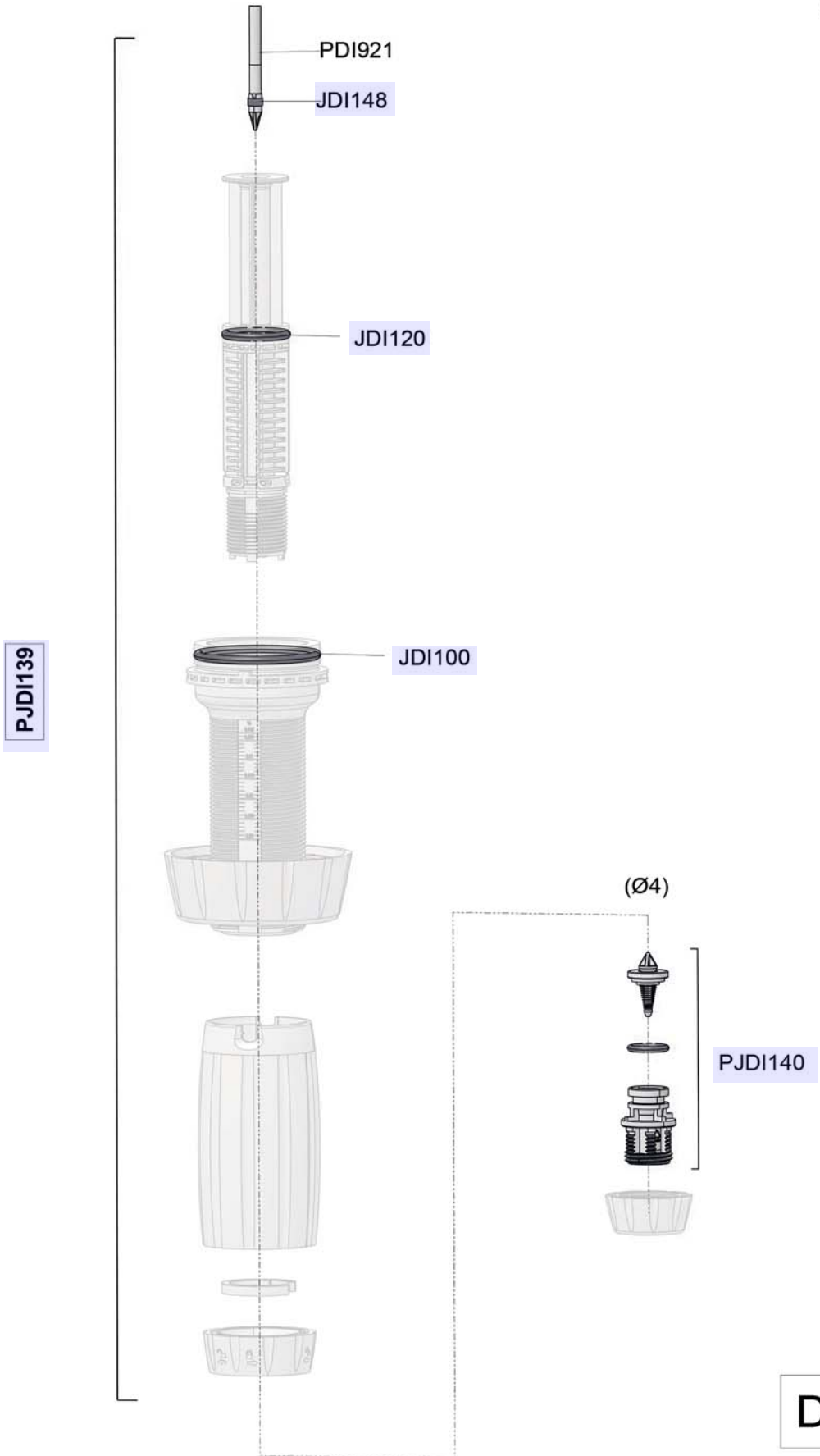
D132MZ30000

132 GPM - 1:30,000 - 1:3,000
0.003% - 0.03%
7 - 87 PSI
0.5 - 6 bar



D132MZ30000

132 GPM - 1:30,000 - 1:3,000
0.003% - 0.03%
7 - 87 PSI
0.5 - 6 bar



D

D132MZ30000

132 GPM - 1:30,000 - 1:3,000
0.003% - 0.03%
7 - 87 PSI
0.5 - 6 bar

(Ø4)

