



DOSATRON[®]

An Ingersoll Rand Business

SCHEMATICS

Dosatron Liquid Dispenser

Model # D14TMZ5 - 14 GPM

1:200 - 1:20

4.3 - 85 PSI

3/4" NPT Connection

Suggested Installation:

270 mesh high-temperature filter prior to unit

One-way check valve downstream from unit for water hammer protection

Suggested Maintenance Interval:

Replace injection seals every 12 months

DOSATRON SALES & SERVICE - NORTH & CENTRAL AMERICA

Dosatron International, Inc.

Phone : 727-443-5404 Service : (800) 523-8499

Fax: 727-447-0591

www.dosatronUSA.com

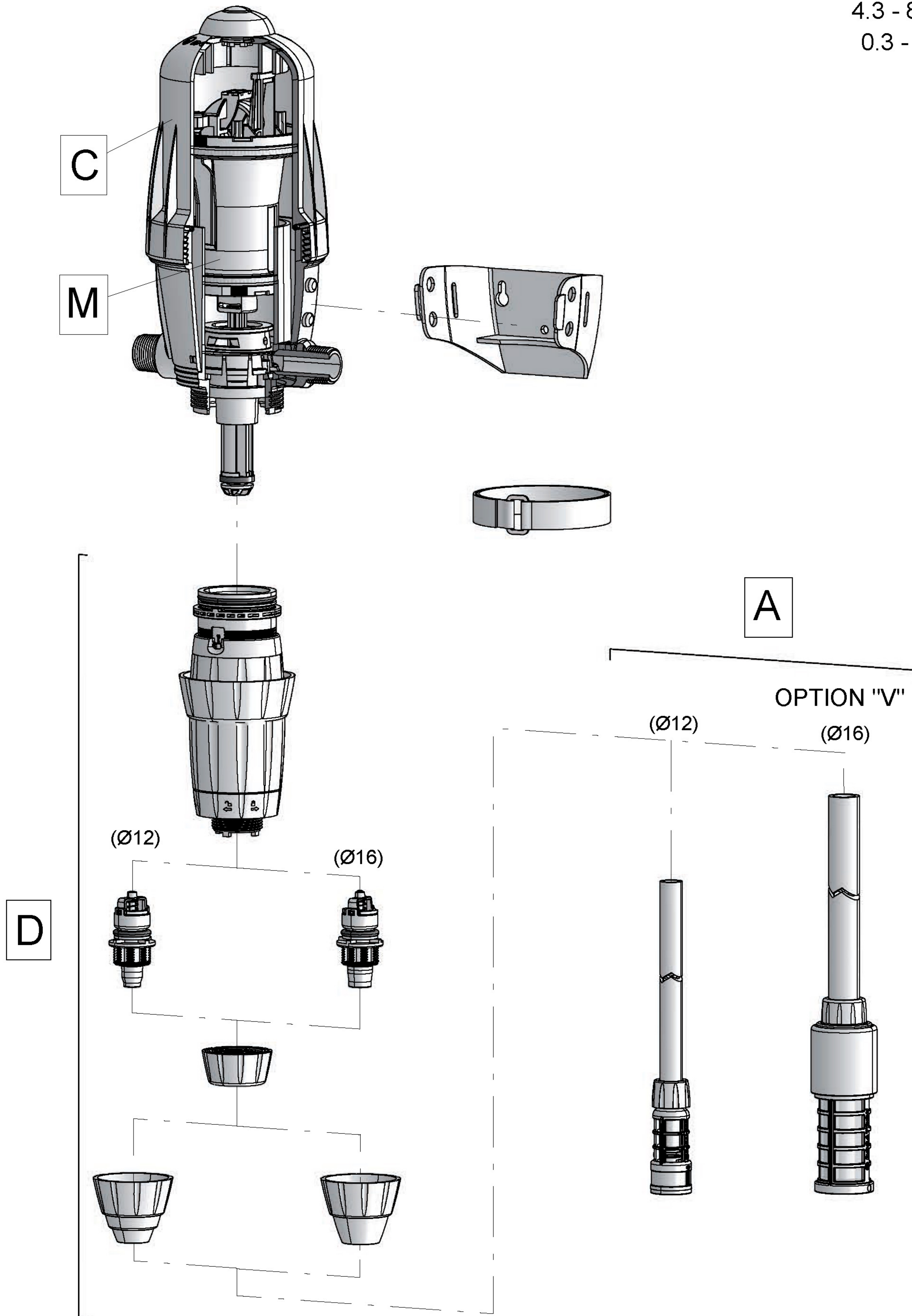
D14TMZ5

14 GPM - 1:200 - 1:20
3m³/h - 0.5 - 5%
4.3 - 85 psi
0.3 - 6 bar



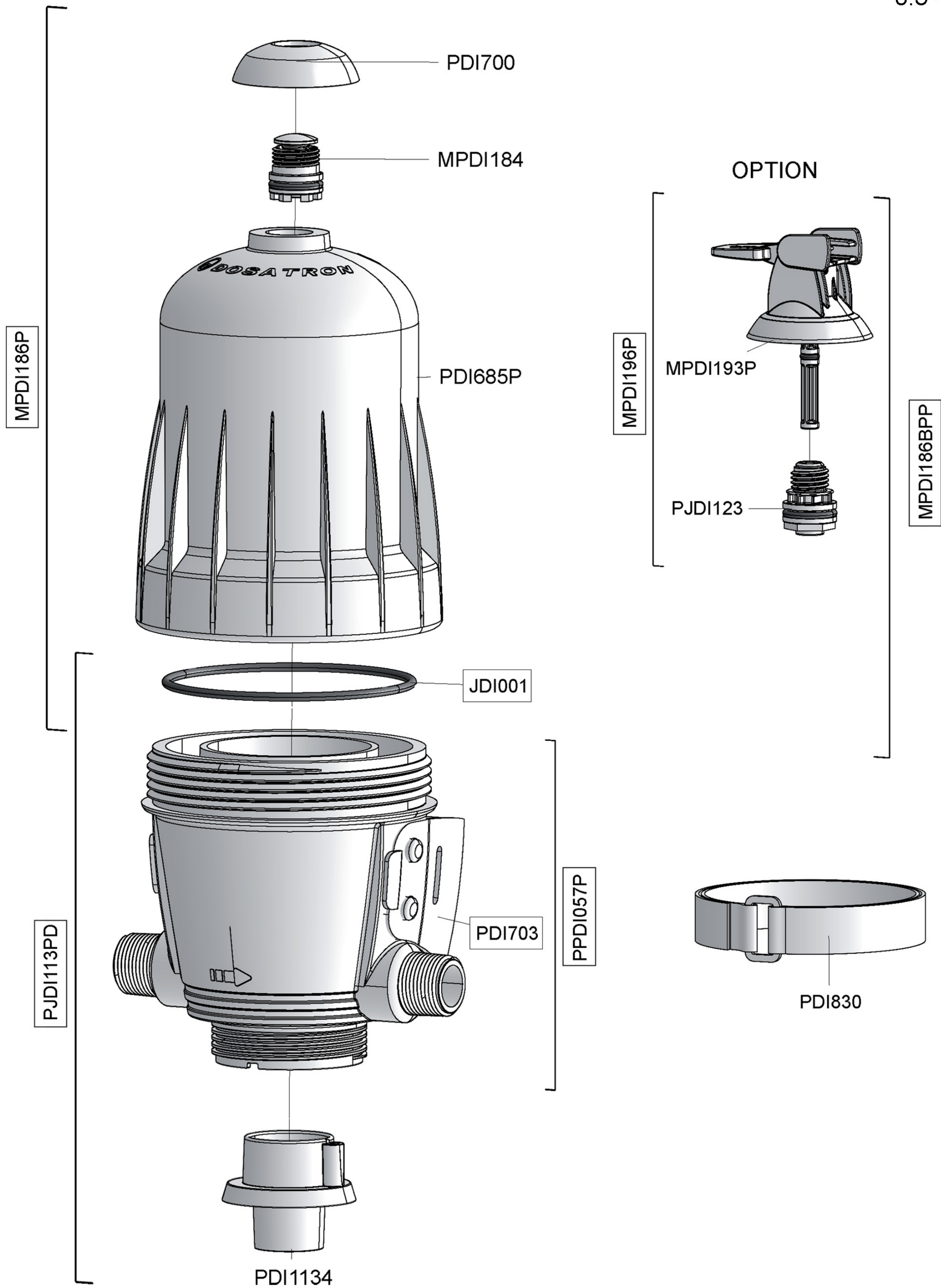
D14TMZ5

14 GPM - 1:200 - 1:20
3m³/h - 0.5 - 5%
4.3 - 85 psi
0.3 - 6 bar



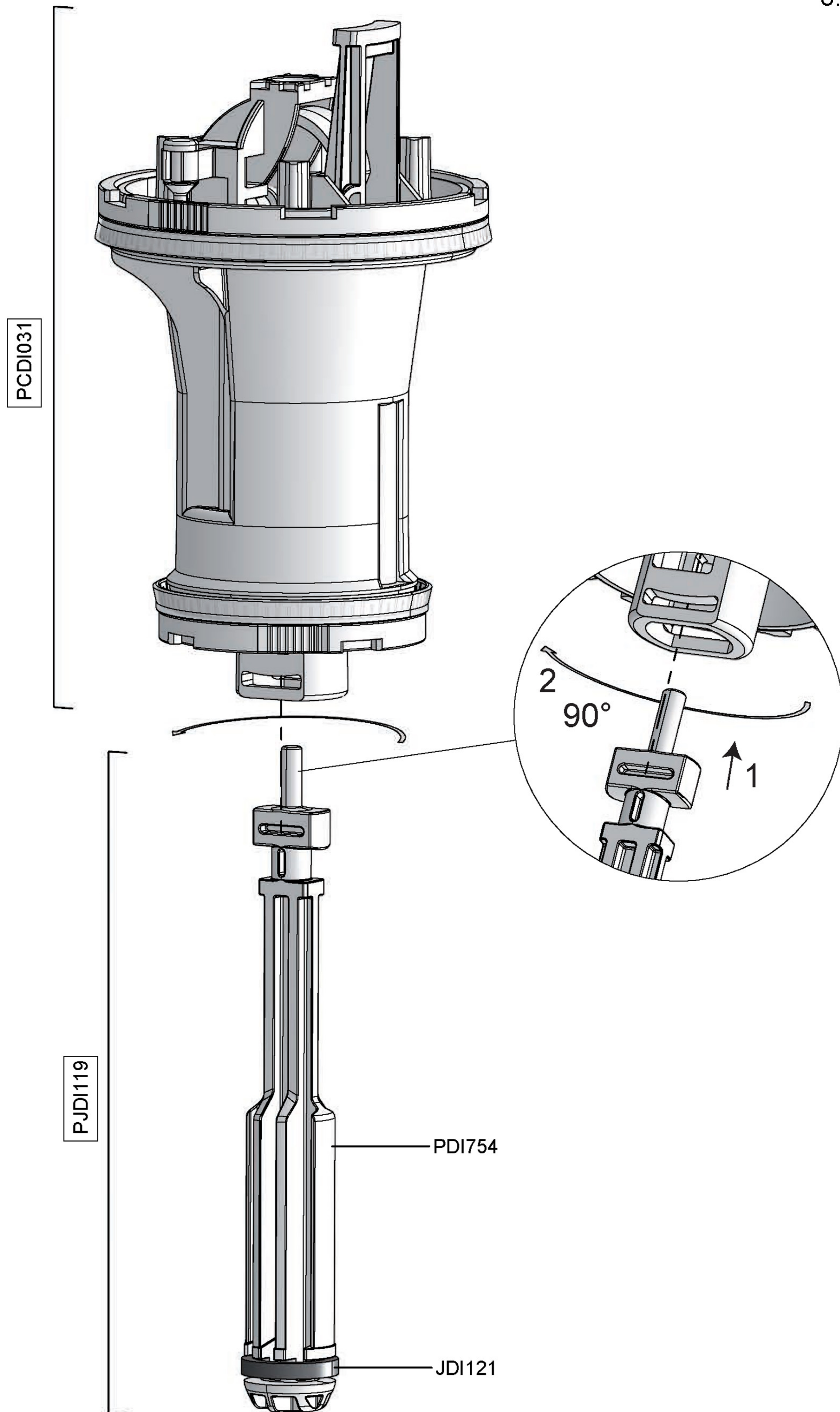
D14TMZ5

14 GPM - 1:200 - 1:20
3m³/h - 0.5 - 5%
4.3 - 85 psi
0.3 - 6 bar



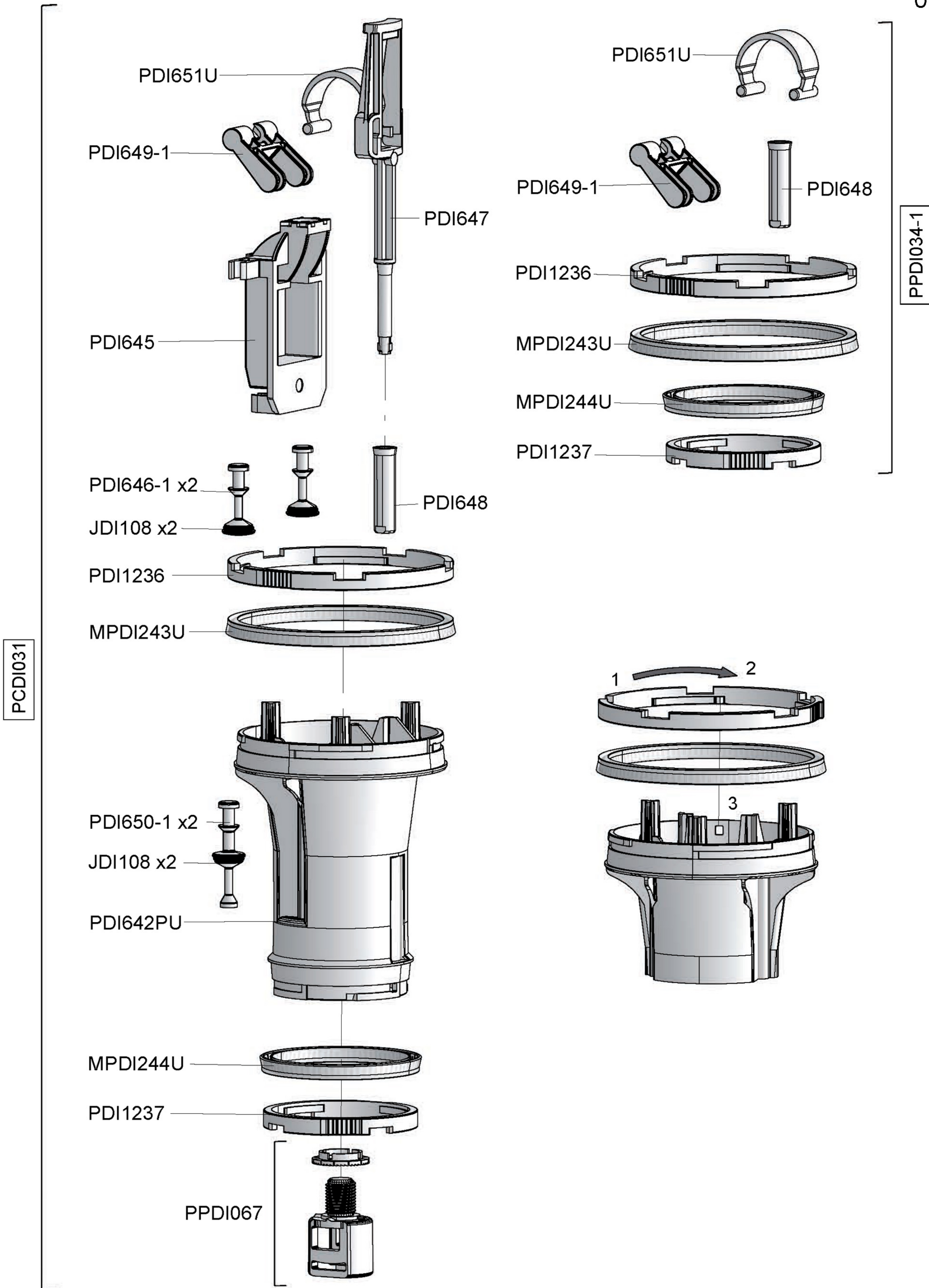
D14TMZ5

14 GPM - 1:200 - 1:20
3m³/h - 0.5 - 5%
4.3 - 85 psi
0.3 - 6 bar



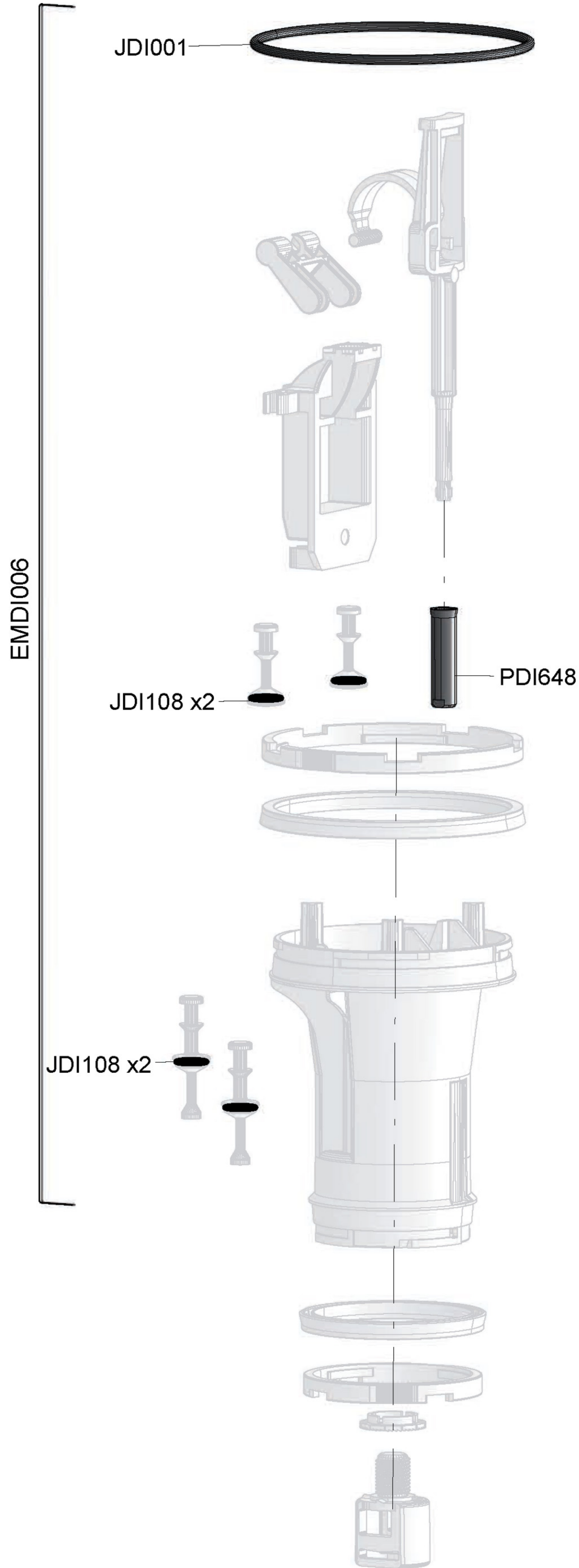
D14TMZ5

14 GPM - 1:200 - 1:20
 3m³/h - 0.5 - 5%
 4.3 - 85 psi
 0.3 - 6 bar



D14TMZ5

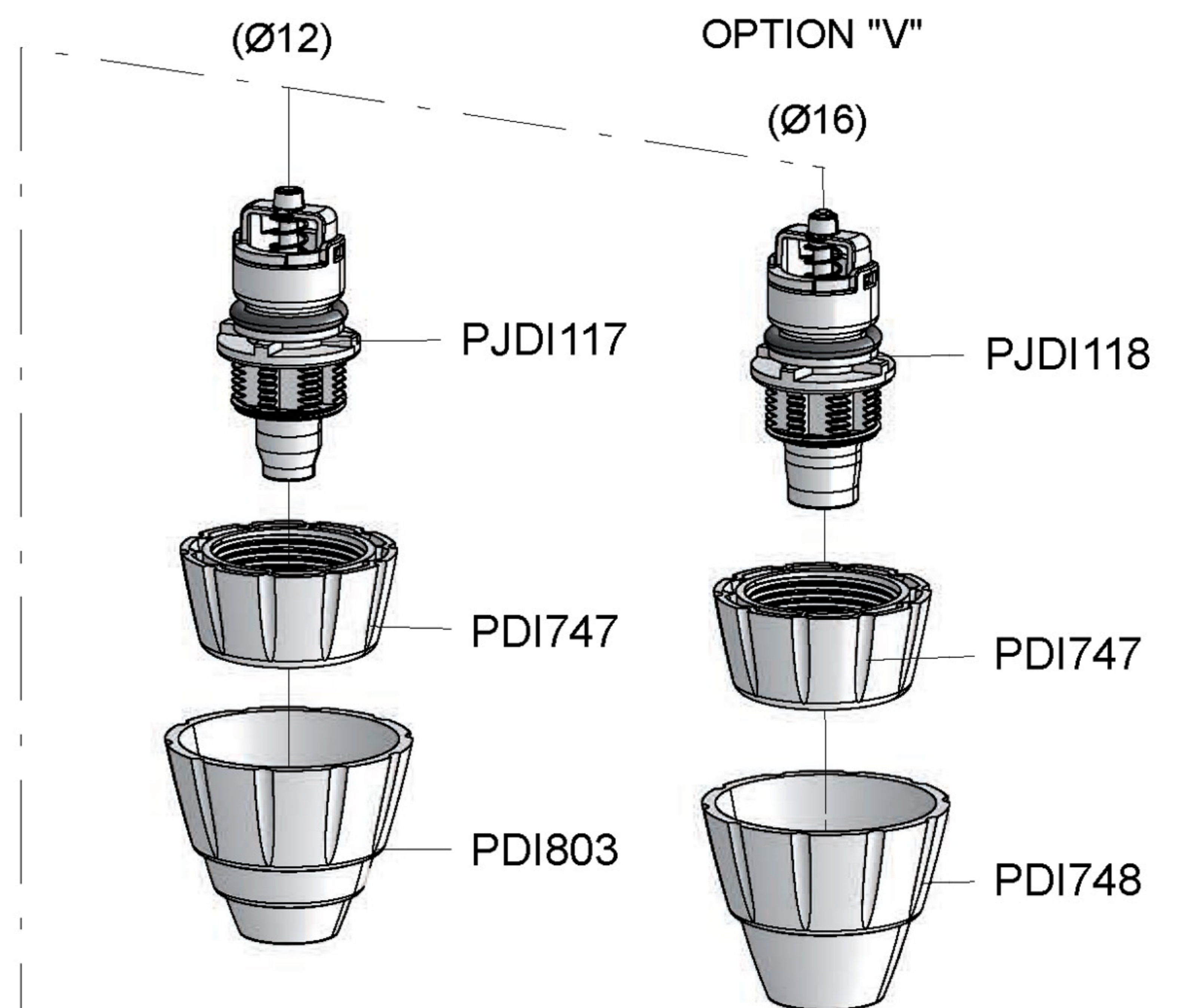
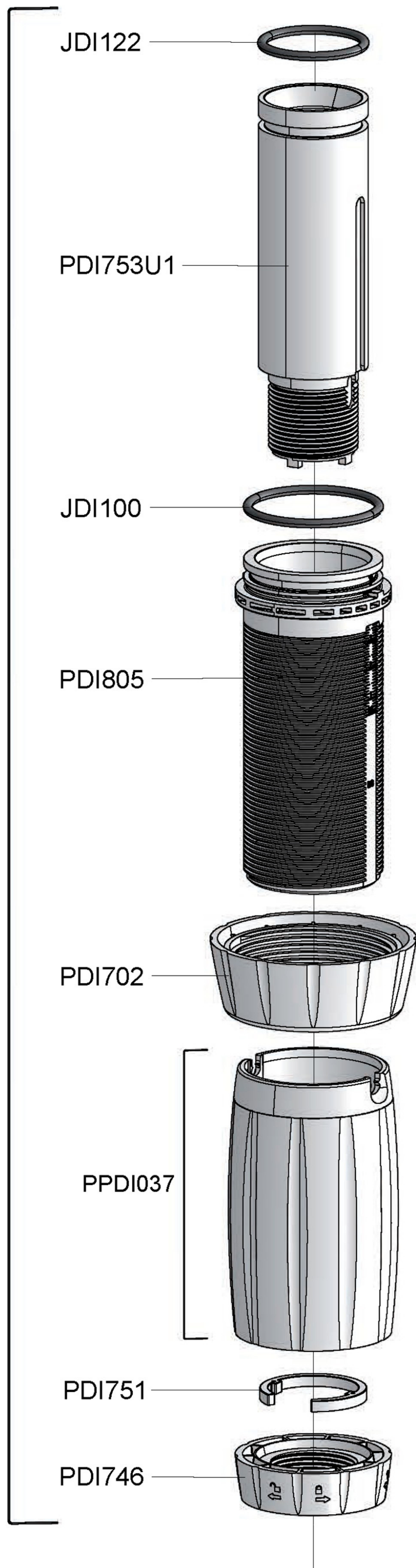
14 GPM - 1:200 - 1:20
3m³/h - 0.5 - 5%
4.3 - 85 psi
0.3 - 6 bar



D14TMZ5

14 GPM - 1:200 - 1:20
 3m³/h - 0.5 - 5%
 4.3 - 85 psi
 0.3 - 6 bar

CDDI075-1(Ø12)
 CDDI075V-1(Ø16)



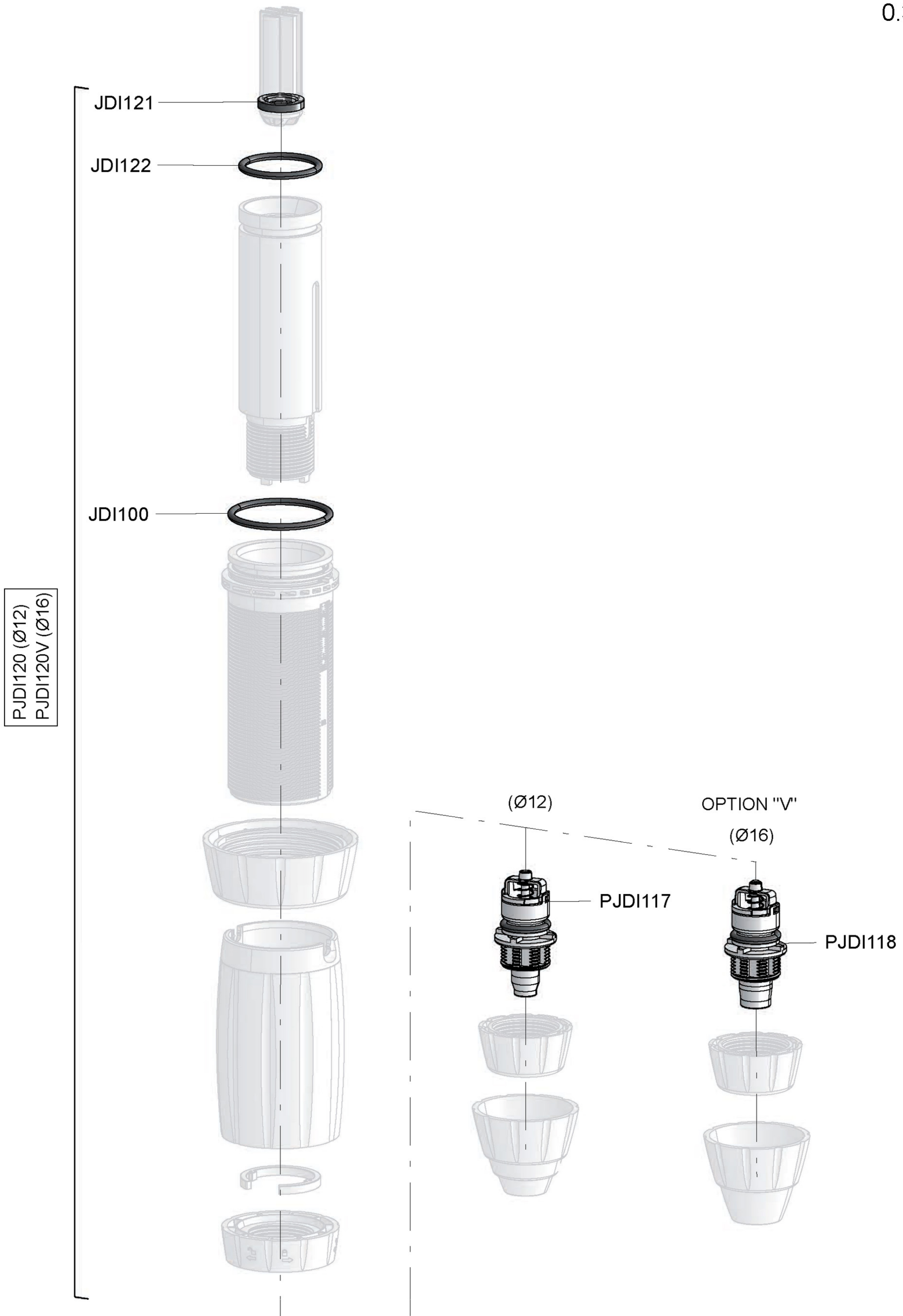
D14TMZ5

14 GPM - 1:200 - 1:20

3m³/h - 0.5 - 5%

4.3 - 85 psi

0.3 - 6 bar



D14TMZ5

14 GPM - 1:200 - 1:20
3m³/h - 0.5 - 5%
4.3 - 85 psi
0.3 - 6 bar

OPTION "V"

