

Part # PJDI199
D14MZ520 - 9 GPM
Injection Seal Kit

(For serial #s 16290363 and up)

This kit contains:

(1) JDI108	Side-inject connection o-ring
(1) PDI1164U	White plastic ring
(2) JDI115	Side-inject o-rings
(1) JDI192	Cylinder nut o-ring
(1) PDI1098	Black plastic lip seal
(1) JDI162	Side-inject o-ring
(1) JDI122	Stem o-ring
(1) JDI139	Plunger seal
(2) JDI100	O-rings for cylinder and sleeve
(1) PJDI118	Check valve assembly
(1) PJDI136	Plunger Valve Assembly
(1) PJDI161	Side-inject valve assembly



GENUINE
DOSATRON
PARTS



LIT-EN-PJDI199

Kit Contents

JDI108	PDI1164U	JDI015
JDI192	PDI1098	JDI162
JDI122	JDI139	JDI100
PJDI118	PJDI136	PJDI161

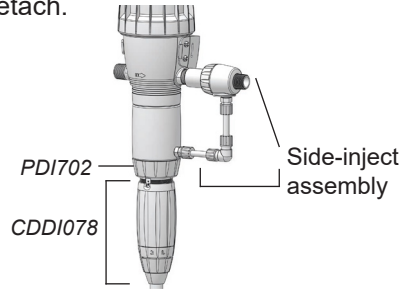


CAUTION: Used parts may contain concentrated chemicals. The use of Proper Protective Equipment is recommended when performing maintenance.

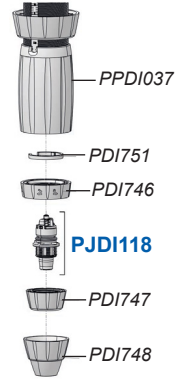
INSTRUCTIONS

(Parts noted in blue included in the kit)

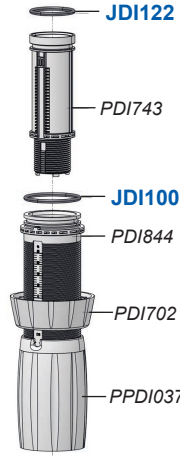
1. Remove the side-inject assembly. Unscrew nut (PDI702) and pull down on stem assembly (CDDI078) to detach.



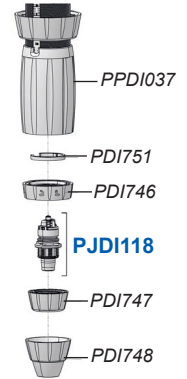
2. Remove hose nut (PDI748), check valve nut (PDI747) and pull check valve assembly (PJDI118) out. Remove locking nut (PDI746), locking ring (PDI751) and adjusting nut (PPDI037).



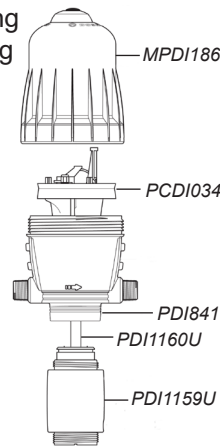
3. Push injection stem (PDI743) up from bottom of sleeve (PDI844). Replace o-ring (JDI122). Slide stem back into the sleeve, aligning long groove in stem with key in sleeve. Replace sleeve o-ring (JDI100). Slide nut (PDI702) on sleeve (PDI844) and screw adjusting nut (PPDI037).



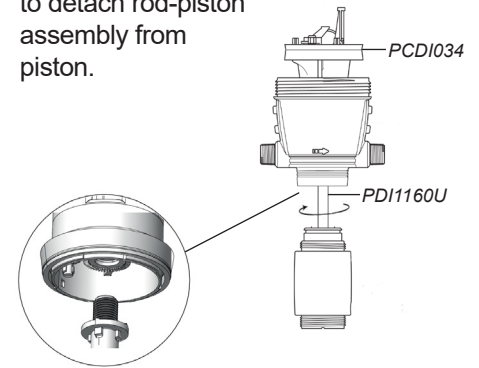
4. Reinstall locking ring (PDI751), make sure to align the molded keys with the grooves on the white stem. Reinstall locking nut (PDI746). Install new check valve assembly (PJDI118), reinstall check valve nut (PDI747) and hose nut (PDI748). Set stem assembly aside.



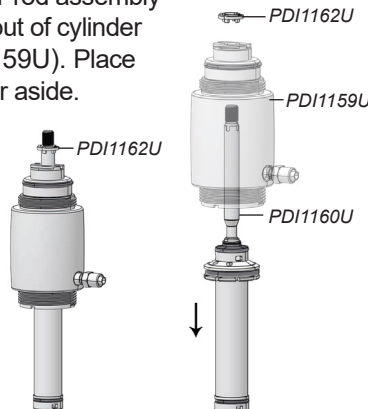
5. Remove bell housing (MPDI186) exposing piston (PCDI034). Set bell housing aside and make sure not to lose bell housing o-ring. Unscrew cylinder (PDI1159U) from top nut (PDI841) and pull down until plunger rod (PDI1160U) is exposed.



6. Hold piston (PCDI034) and unscrew rod (PDI1160U) counter-clockwise to detach rod-piston assembly from piston.



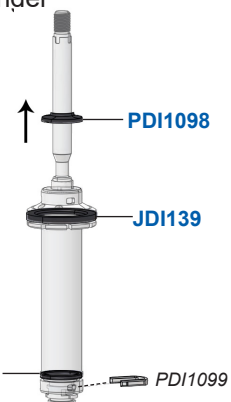
7. Remove plastic retainer (PDI1162U) from top of plunger rod (PDI1160U), and pull plunger-rod assembly down out of cylinder (PDI1159U). Place cylinder aside.



8. From plunger-rod assembly, remove and replace black plastic lip seal (PDI1098), and plunger seals (JDI139) and (JDI156).

Pull the "U" shaped clip (PDI1099) from the bottom of plunger (PDI1161U).

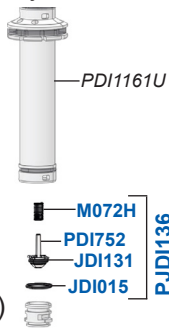
You may carefully use a small flat head screwdriver to remove.



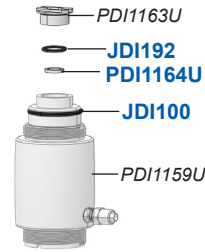
INSTRUCTIONS

(Parts included in kit noted in blue)

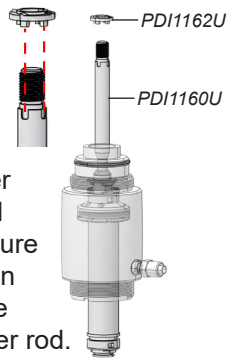
9. Pull check valve assembly from bottom of plunger (PDI1161U). Replace spring (M072H), cone (PDI752), and o-rings (JDI131) and (JDI015). Place assembly back inside plunger and re-insert clip (PDI1099)



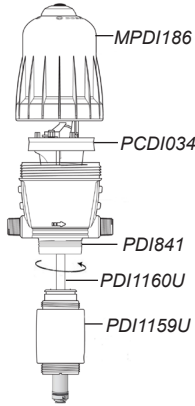
10. Hold cylinder (PDI1159U). Remove and replace cylinder o-ring (JDI100). Unscrew cylinder nut (PDI1163U) from top of cylinder. Replace o-ring (JDI192) and white plastic ring (PDI1164U) inside cylinder nut. Screw nut back into cylinder.



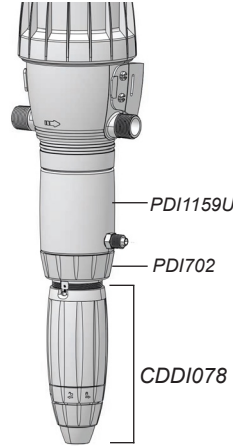
11. Insert plunger-rod assembly back into cylinder and push it all the way in until it stops. Place retainer back on plunger rod (PDI1160U) make sure to align the 4 teeth in the retainer, with the 4 grooves on plunger rod.



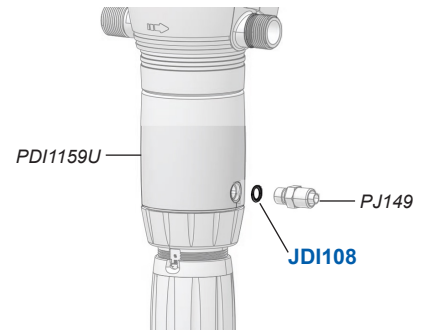
12. Hold piston (PCDI034) inserted in the lower body, and screw rod (PDI1160U) back on. Screw cylinder (PDI1159U) to the top nut (PDI841). Make sure the side-inject port lines up under the outlet port, on the lower housing. Place the bell housing (MPDI186) back on.



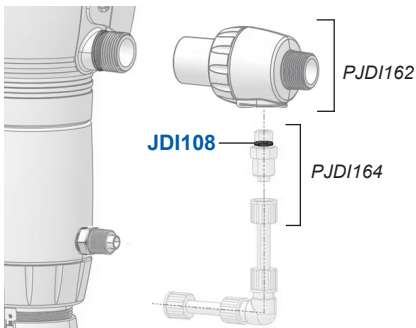
13. Reattach stem assembly (CCDI078) to cylinder (PDI1159U) by aligning the keys on the stem with the notches on the cylinder. Screw nut (PDI702) back on.



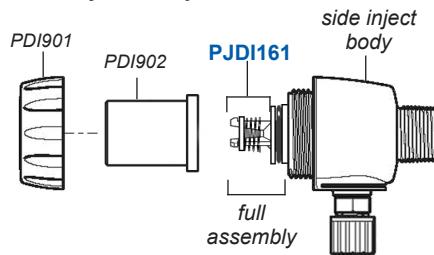
14. Remove connector (PJ149) from cylinder (PDI1159U), replace o-ring (JDI108), and reinstall connector.



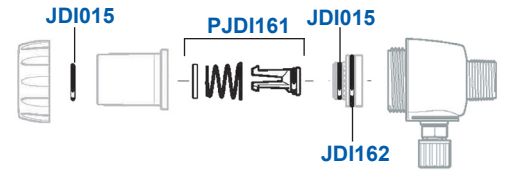
15. From the bottom of the side-inject assembly (PJDI162), unscrew connection (PJDI164), replace o-ring (JDI108) and reinstall connector.



16. Unscrew nut (PDI901) and pull off side-inject threaded connector (PDI902) to expose spring-loaded check valve parts (PJDI161). Pull the full assembly out of the side inject body.

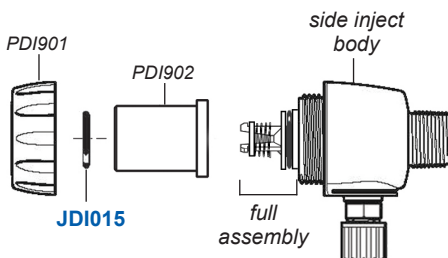


17. Discard check valve parts (PJDI161). Replace o-rings (JDI015) and (JDI162).

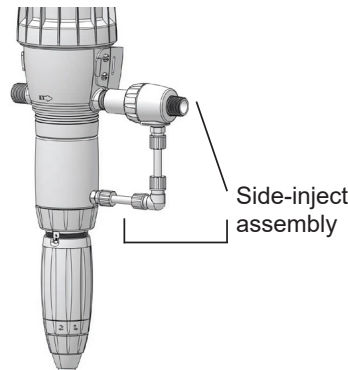


Assemble check valve parts (PJDI161) inserting the tines through the wider end of spring, then through the plastic washer. Place the check valve back inside the white piece.

18. Insert the full assembly back into the side inject body. Reinstall the threaded connector (PDI902), and nut (PDI901) with o-ring (JDI015) in place.



19. Re-connect the side inject assembly, with tubing and ports, back to the Dosatron.



NEW style seal kit only for units with serial #s 16290363 and over.

Always be careful not to overtighten any parts.

Remember to set your injection rate to the proper ratio.

2090 Sunnydale Blvd.
Clearwater, FL 33765
1-800-523-8499 • 1-727-443-5404
www.dosatronusa.com