



# DOSATRON®

An Ingersoll Rand Business



Certified to  
NSF/ANSI/CAN 61&372



## D14WL3000NAF - 14 GPM INTERACTIVE SCHEMATICS

### UNIT SPECIFICATIONS

- 1:3000 - 1:333
- 4.3 - 85 PSI
- 3/4" NPT Connection

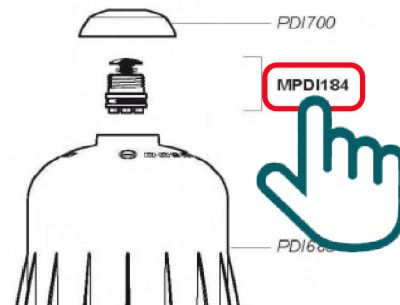
### SUGGESTED INSTALLATION

- 200 mesh/80 micron water filter prior to the unit

### SUGGESTED MAINTENANCE

- Injection Seal Kit  
Part #: [PJDI139NAF](#)  
For yearly maintenance

### DOCUMENT INSTRUCTIONS



- Click on a part #, to visit item page
- Click arrow back from item page, to return to this document



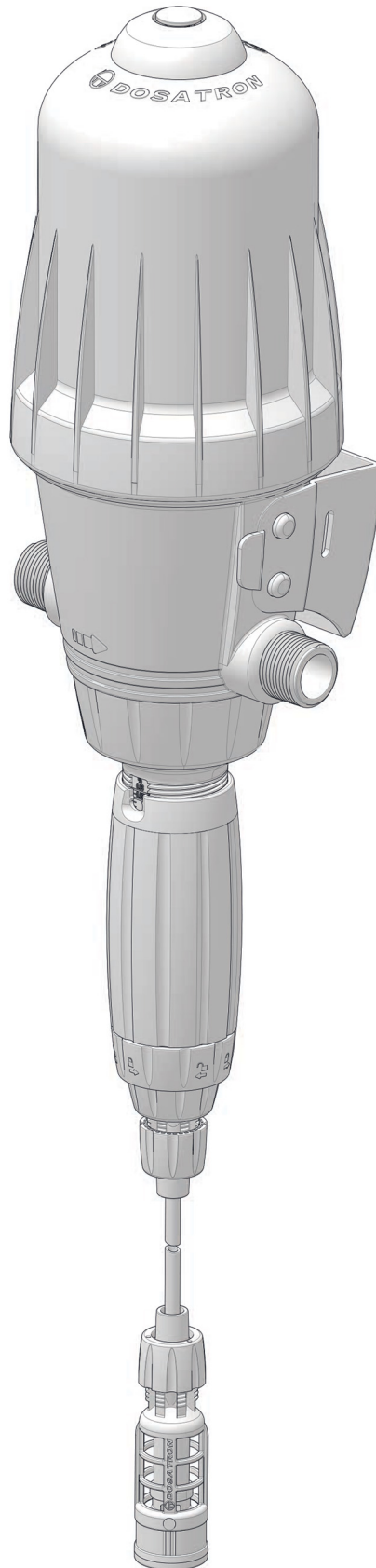
# D14WL3000NAF

14 GPM - 1:3000 - 1:333

$3\text{m}^3/\text{h}$  - 0.03 - 0.3%

4.3 - 85 psi

0.3 - 6 bar



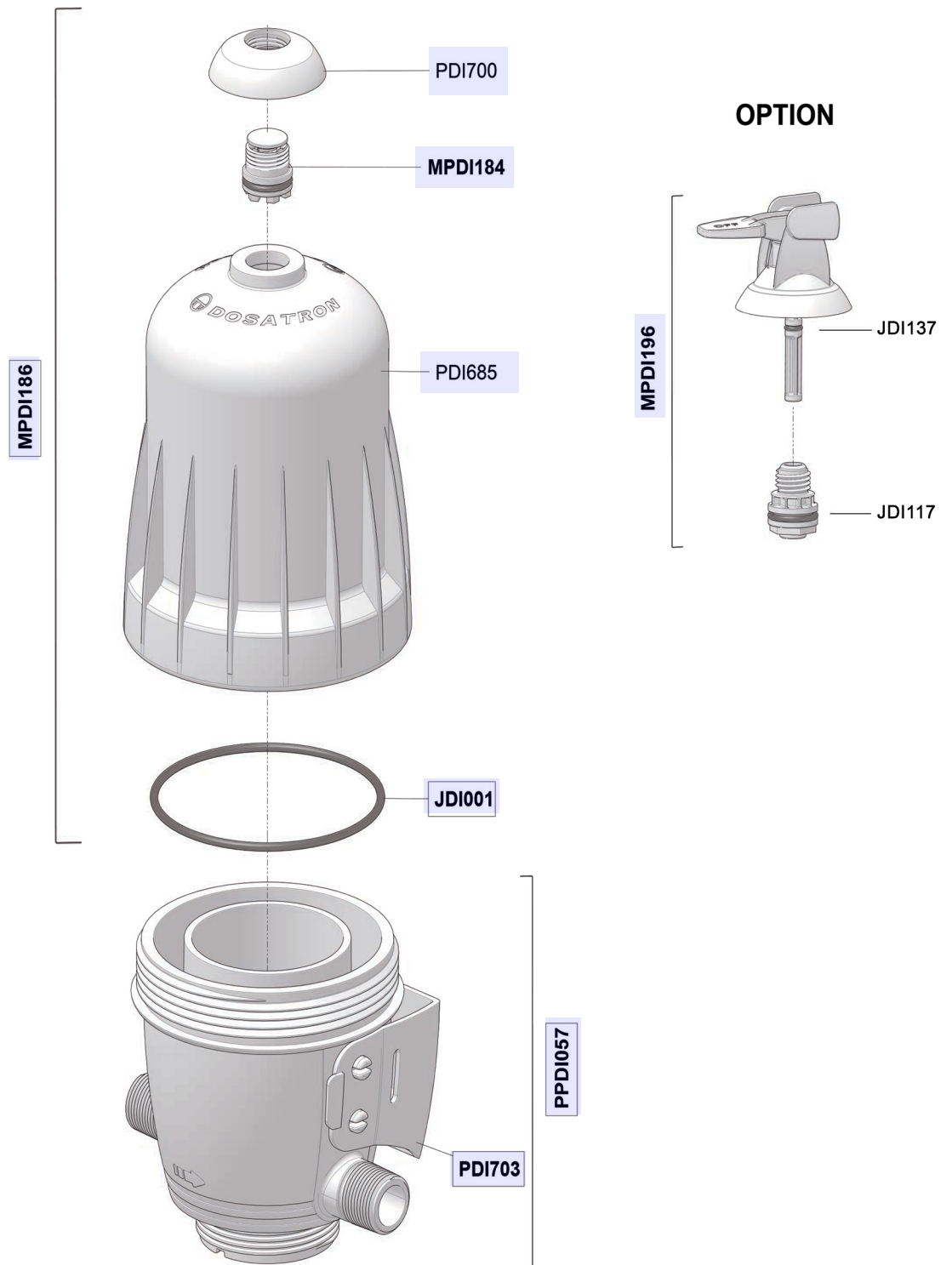
# D14WL3000NAF

14 GPM - 1:3000 - 1:333

$3m^3/h$  - 0.03 - 0.3%

4.3 - 85 psi

0.3 - 6 bar



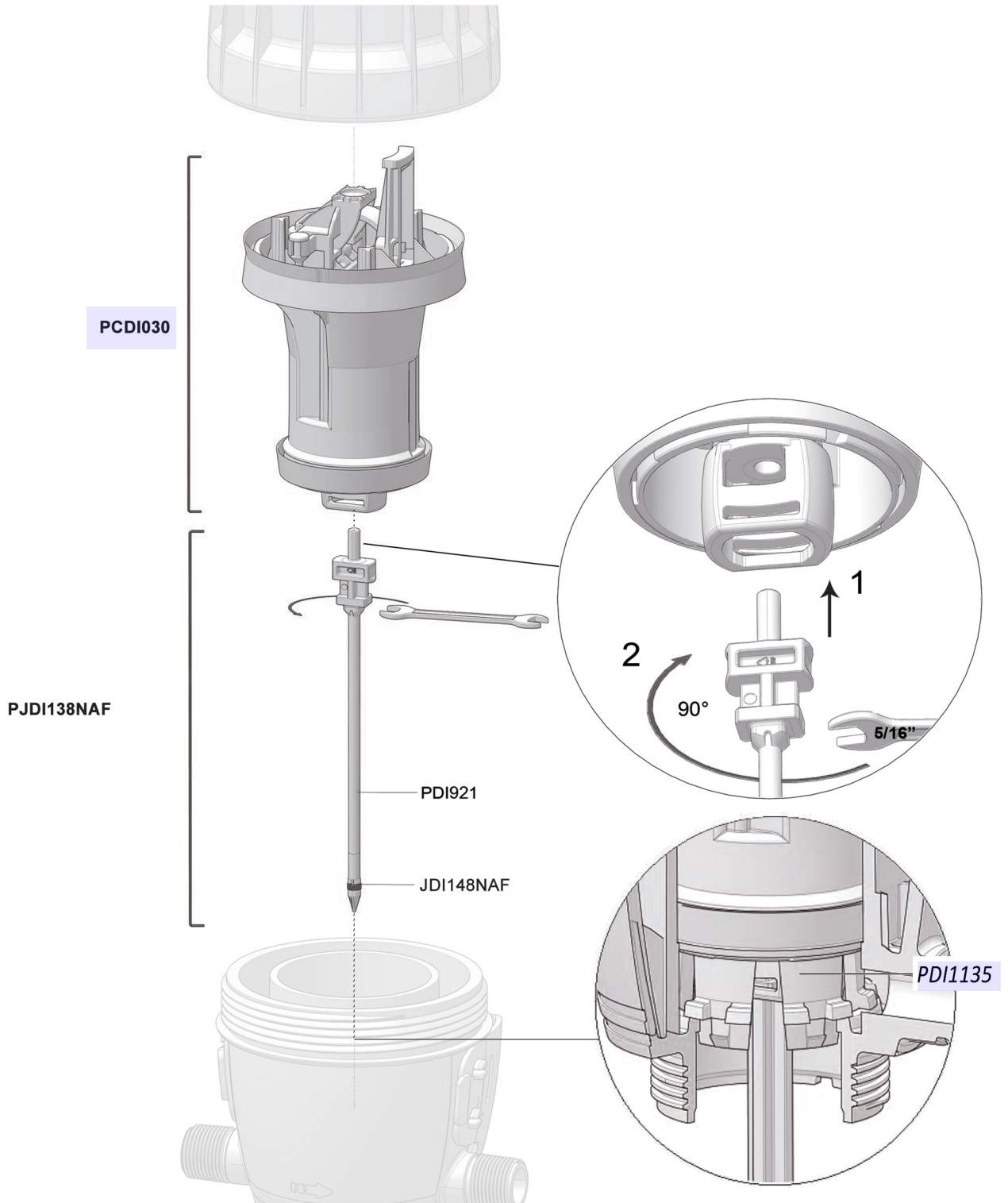
# D14WL3000NAF

14 GPM - 1:3000 - 1:333

$3m^3/h$  - 0.03 - 0.3%

4.3 - 85 psi

0.3 - 6 bar





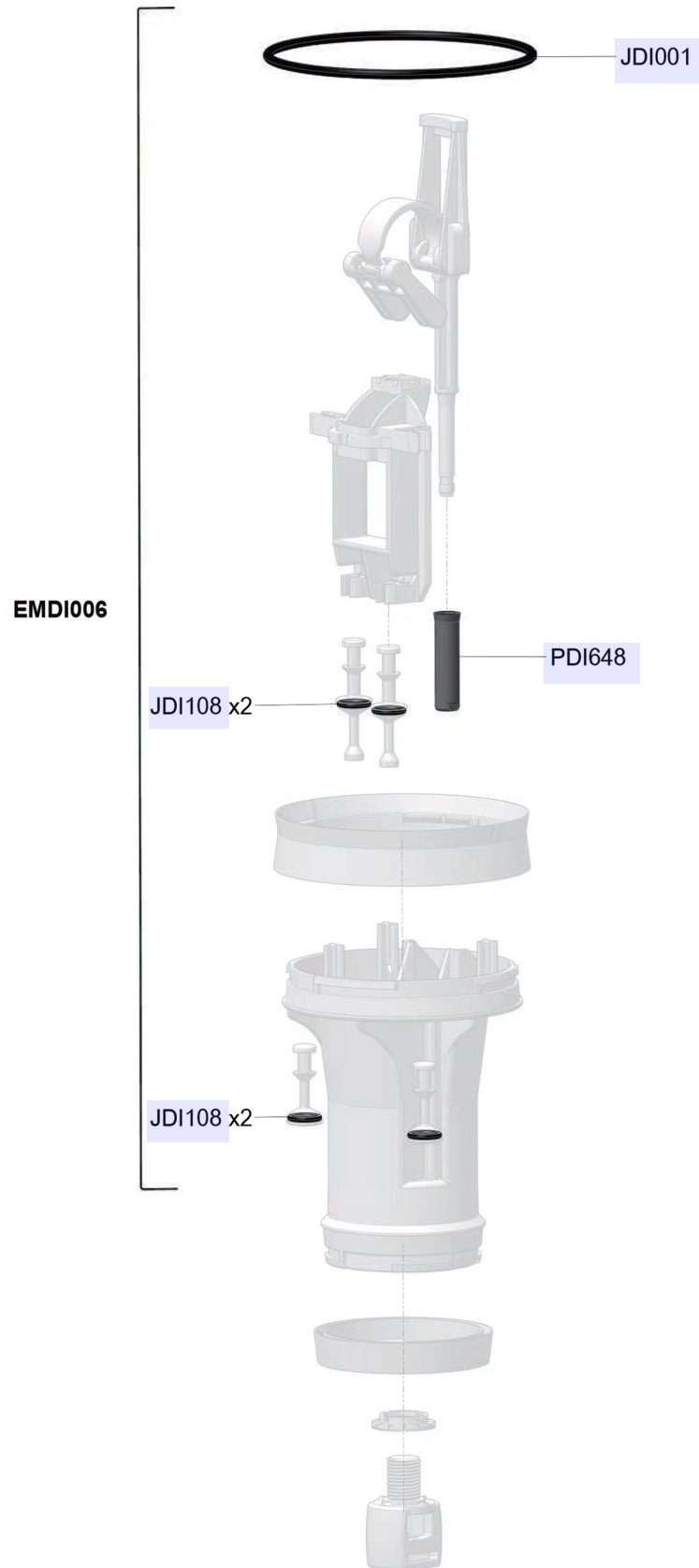
# D14WL3000NAF

14 GPM - 1:3000 - 1:333

$3m^3/h$  - 0.03 - 0.3%

4.3 - 85 psi

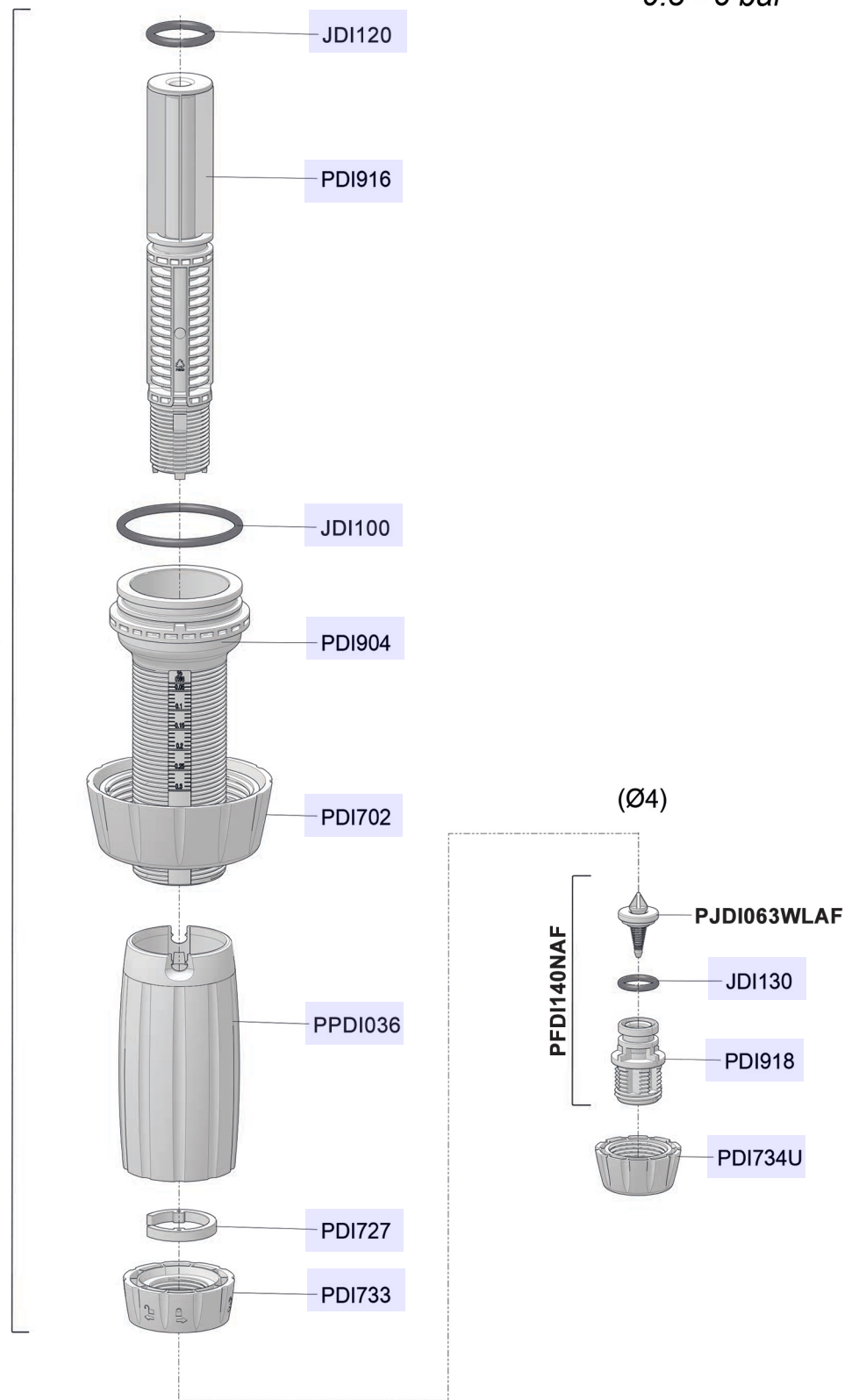
0.3 - 6 bar



# D14WL3000NAF

14 GPM - 1:3000 - 1:333  
3m<sup>3</sup>/h - 0.03 - 0.3%  
4.3 - 85 psi  
0.3 - 6 bar

CDDI079NAF



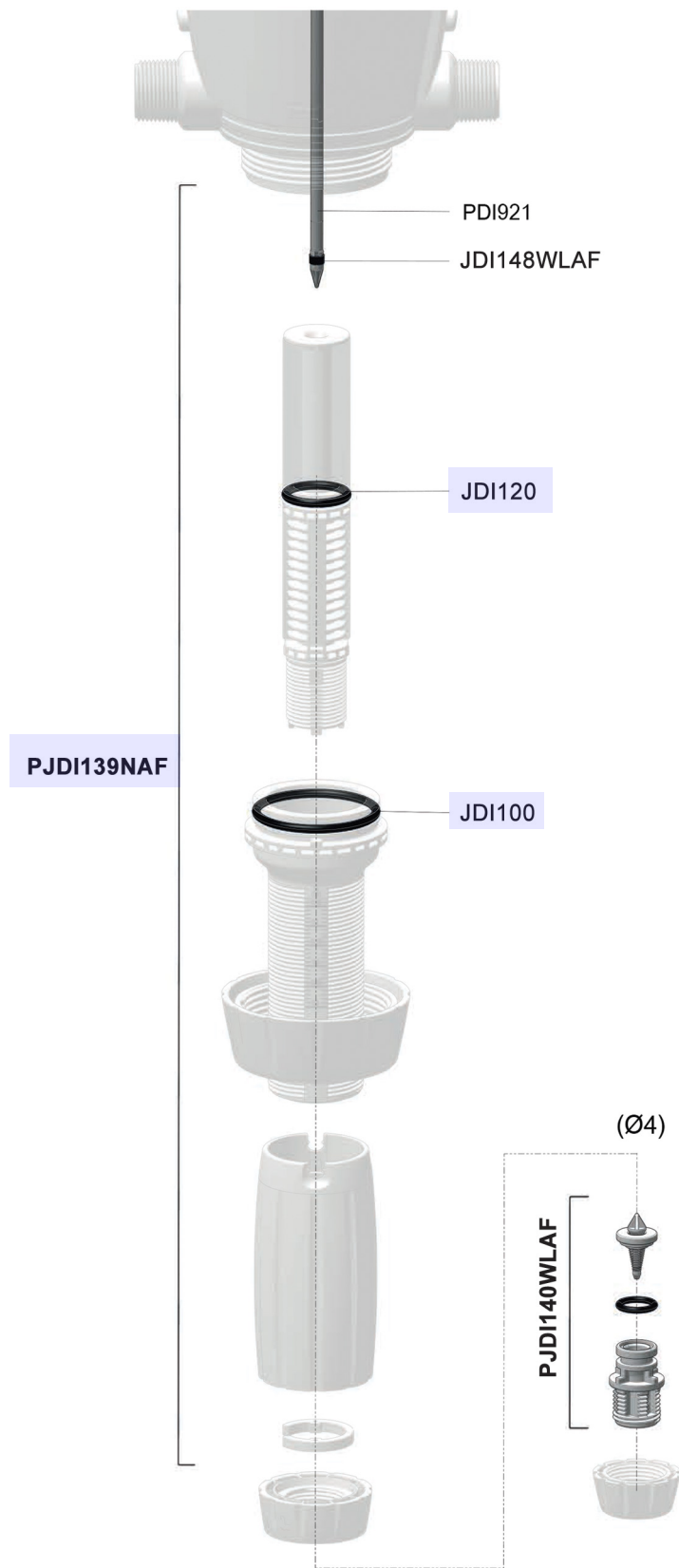
# D14WL3000NAF

14 GPM - 1:3000 - 1:333

$3m^3/h$  - 0.03 - 0.3%

4.3 - 85 psi

0.3 - 6 bar





# D14WL3000NAF

14 GPM - 1:3000 - 1:333  
3m<sup>3</sup>/h - 0.03 - 0.3%  
4.3 - 85 psi  
0.3 - 6 bar

