



DOSATRON®

An Ingersoll Rand Business



D14TMZ10 - 14 GPM INTERACTIVE SCHEMATICS

UNIT SPECIFICATIONS

- 1:100 - 1:10
- 7 - 85 PSI
- 3/4" NPT Connection

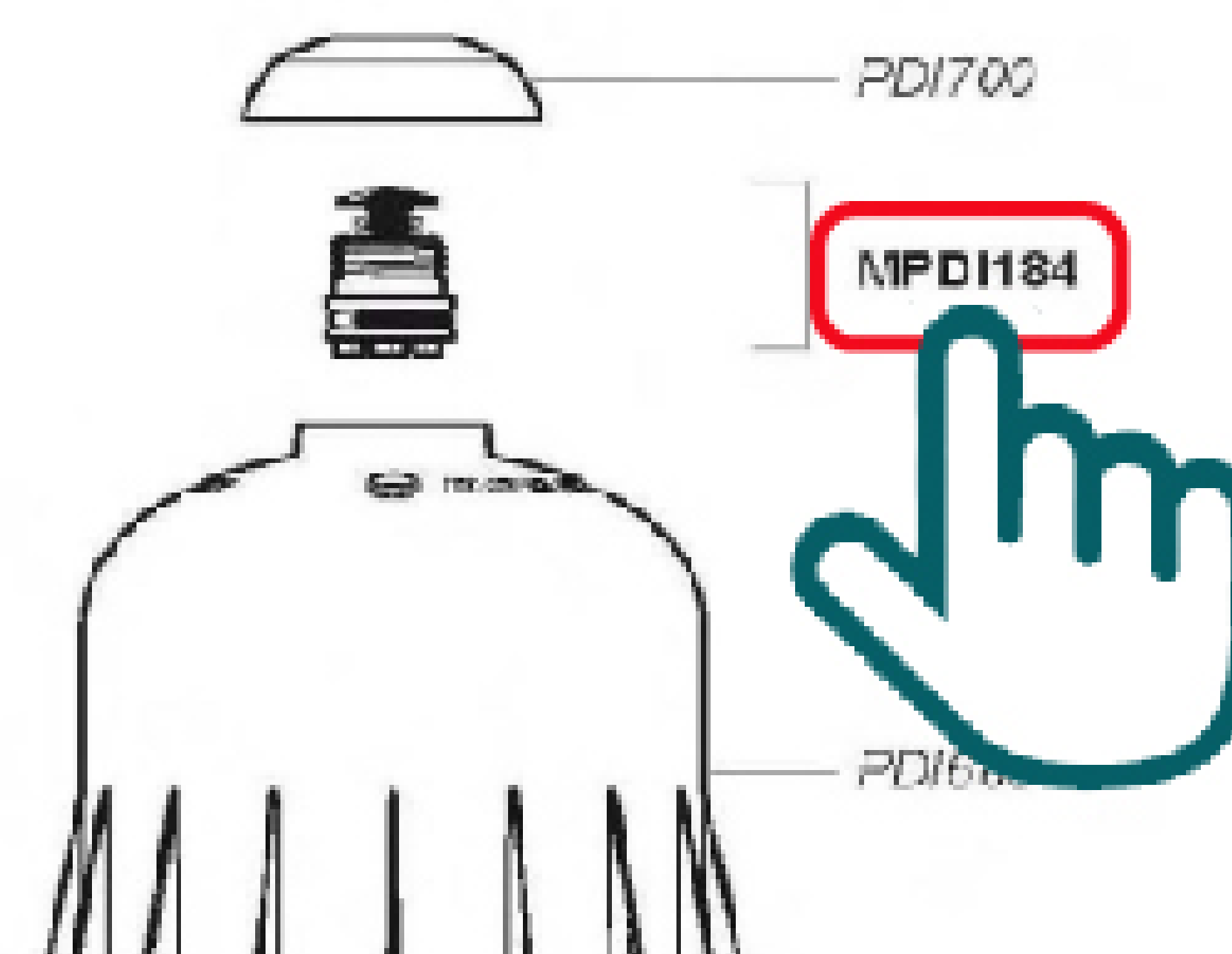
SUGGESTED INSTALLATION

- 200 mesh/80 micron water filter prior to the unit

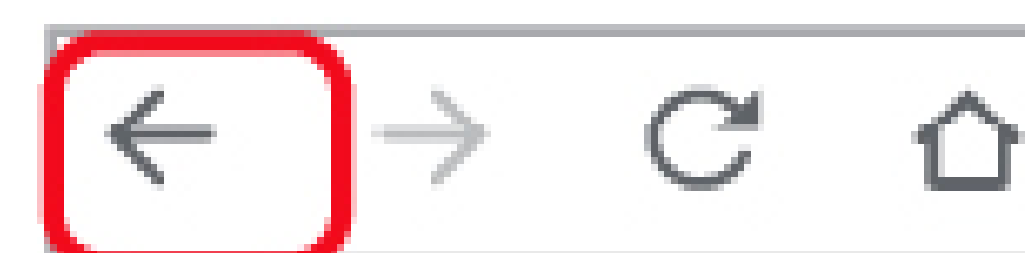
SUGGESTED MAINTENANCE

- Mini-Maintenance Kit
Part #: [PJDI122MINI-H](#)
For regular maintenance
- Injection Seal Kit
Part #: [PJDI122](#)
For yearly maintenance
- Piston Flange Kit
Part #: [PPDI034-1](#)

DOCUMENT INSTRUCTIONS

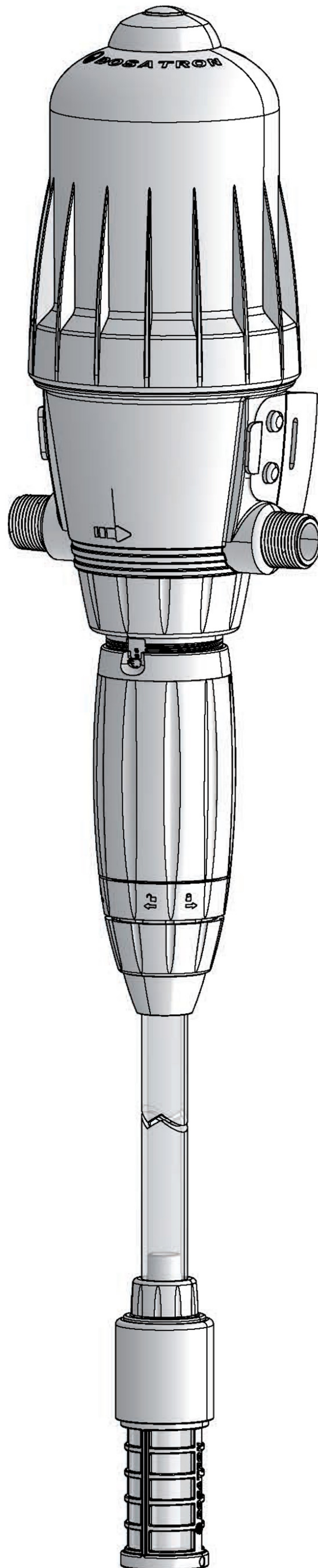


- Click on a part #, to visit item page
- Click arrow back from item page, to return to this document



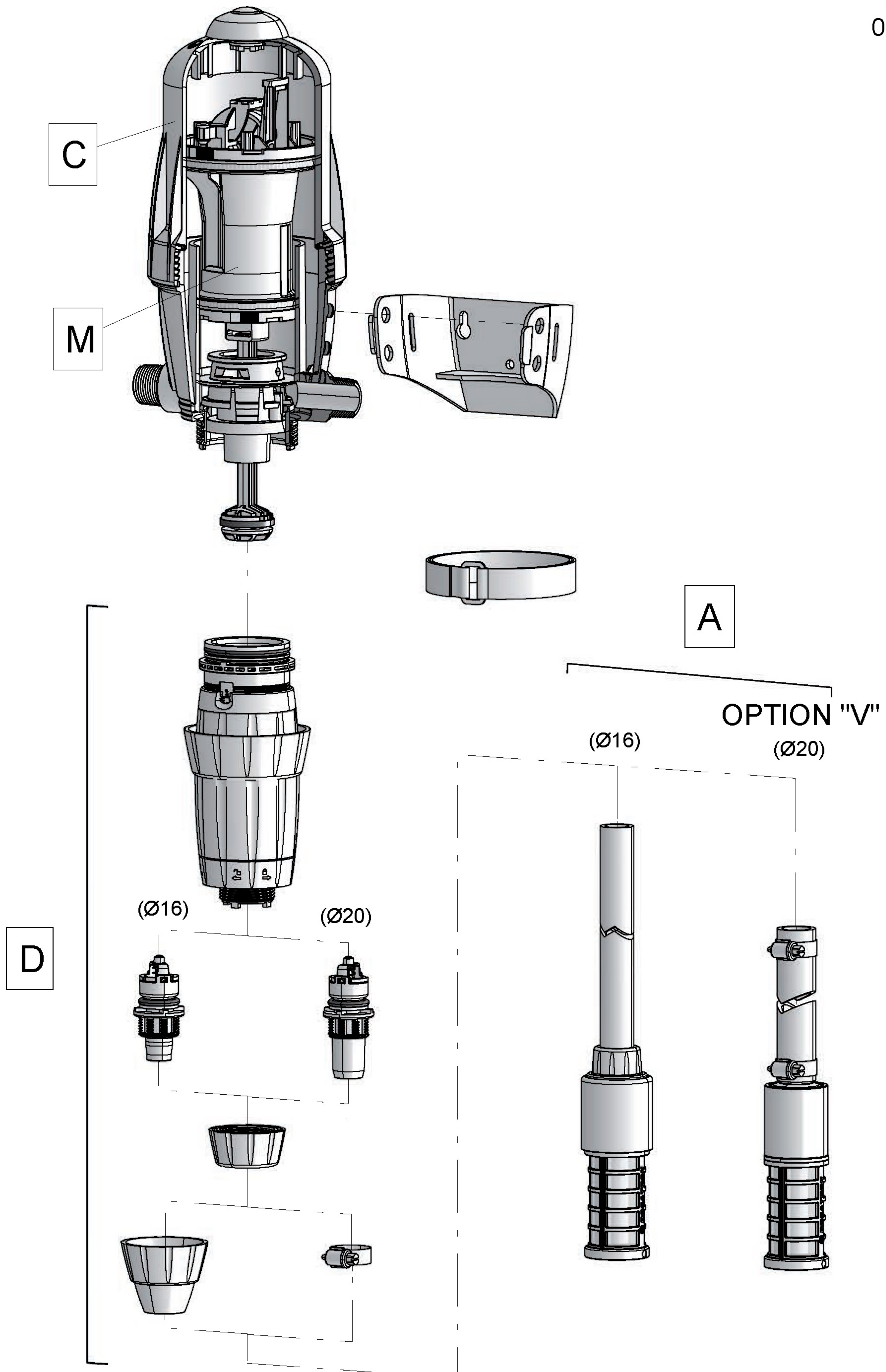
D14TMZ10

14 GPM - 1:100 - 1:10
3m³/h - 1 - 10%
7 - 85 psi
0.5 - 6 bar



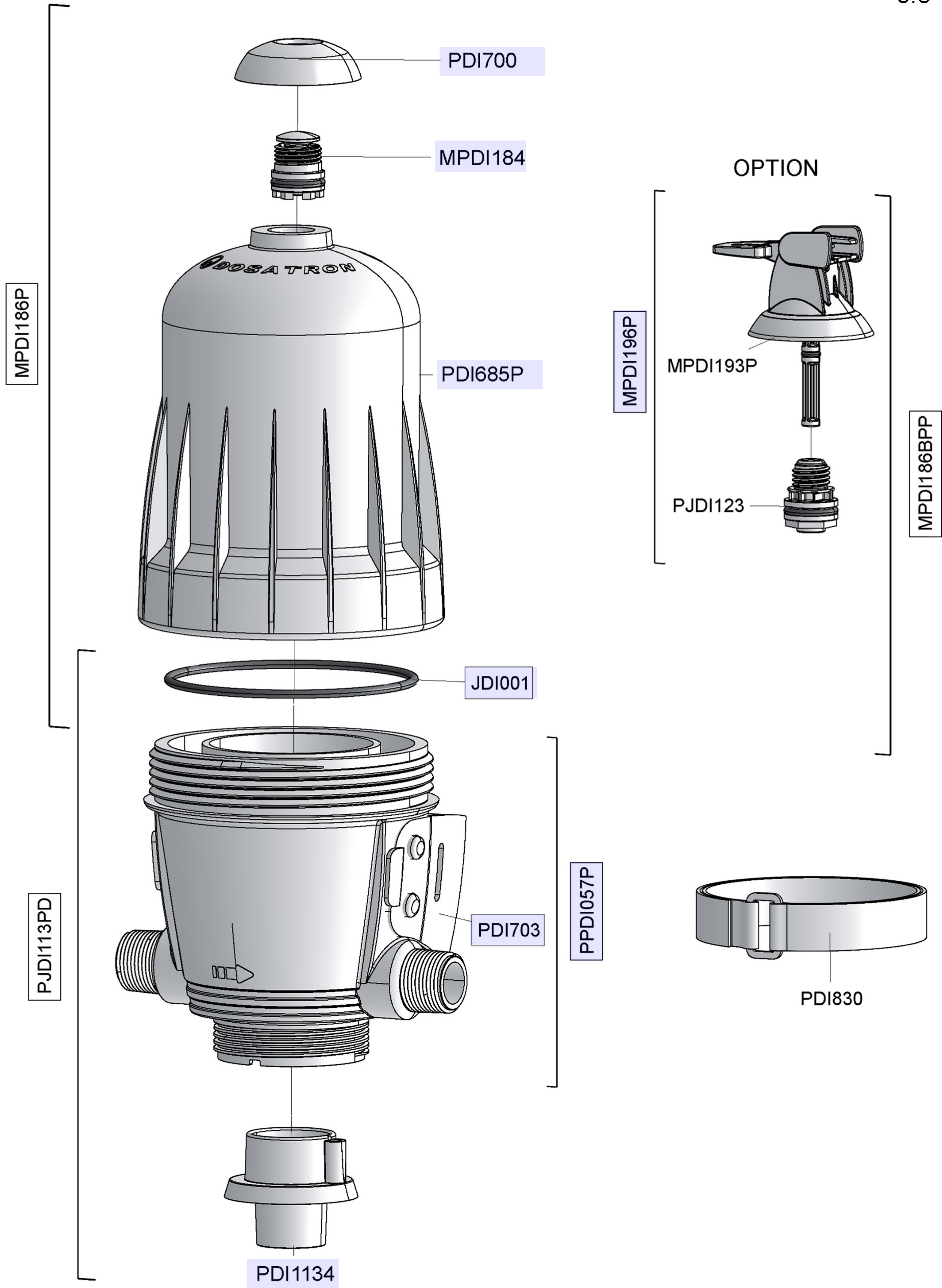
D14TMZ10

14 GPM - 1:100 - 1:10
3m³/h - 1 - 10%
7 - 85 psi
0.5 - 6 bar



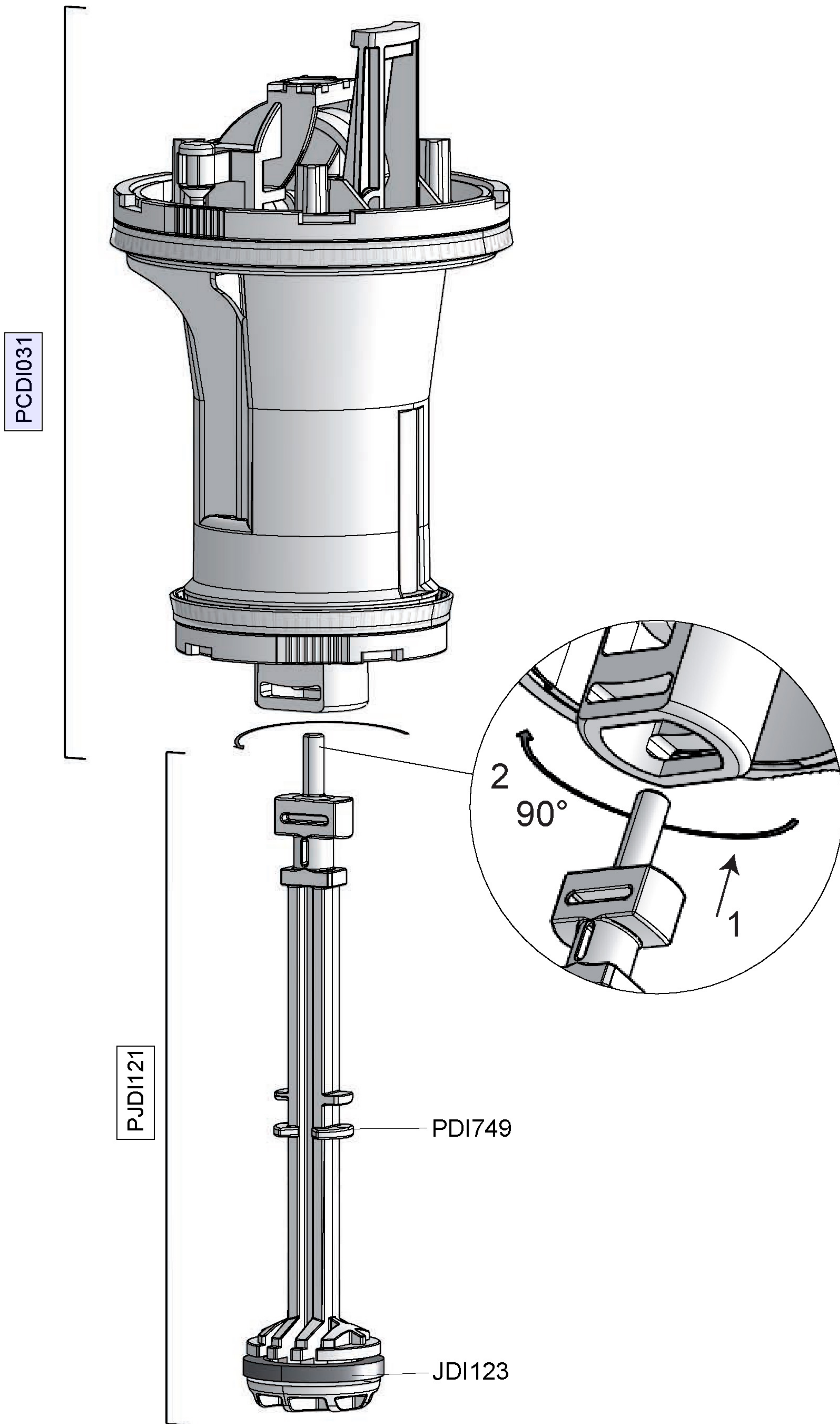
D14TMZ10

14 GPM - 1:100 - 1:10
3m³/h - 1 - 10%
7 - 85 psi
0.5 - 6 bar



D14TMZ10

14 GPM - 1:100 - 1:10
3m³/h - 1 - 10%
7 - 85 psi
0.5 - 6 bar



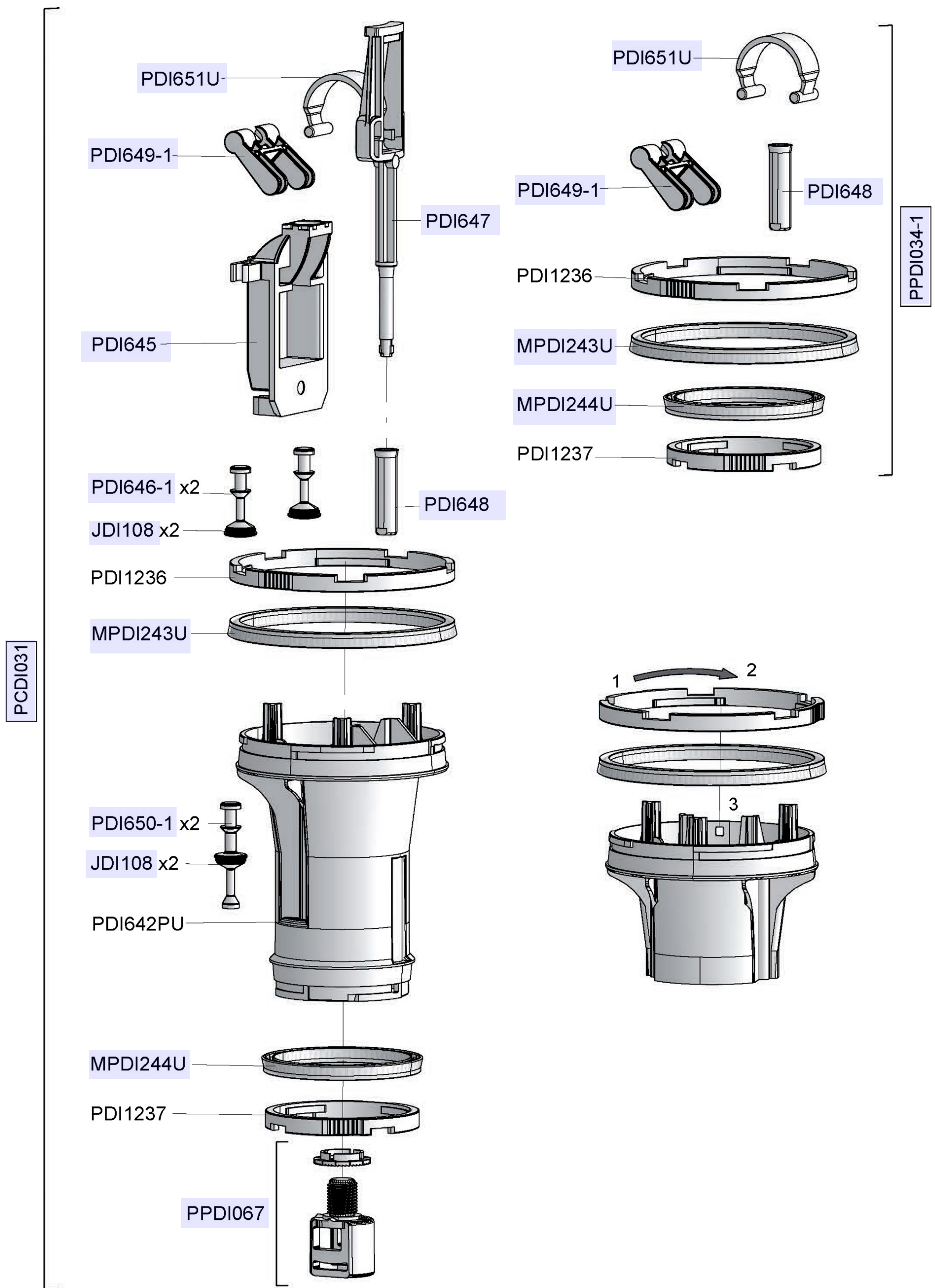
D14TMZ10

14 GPM - 1:100 - 1:10

3m³/h - 1 - 10%

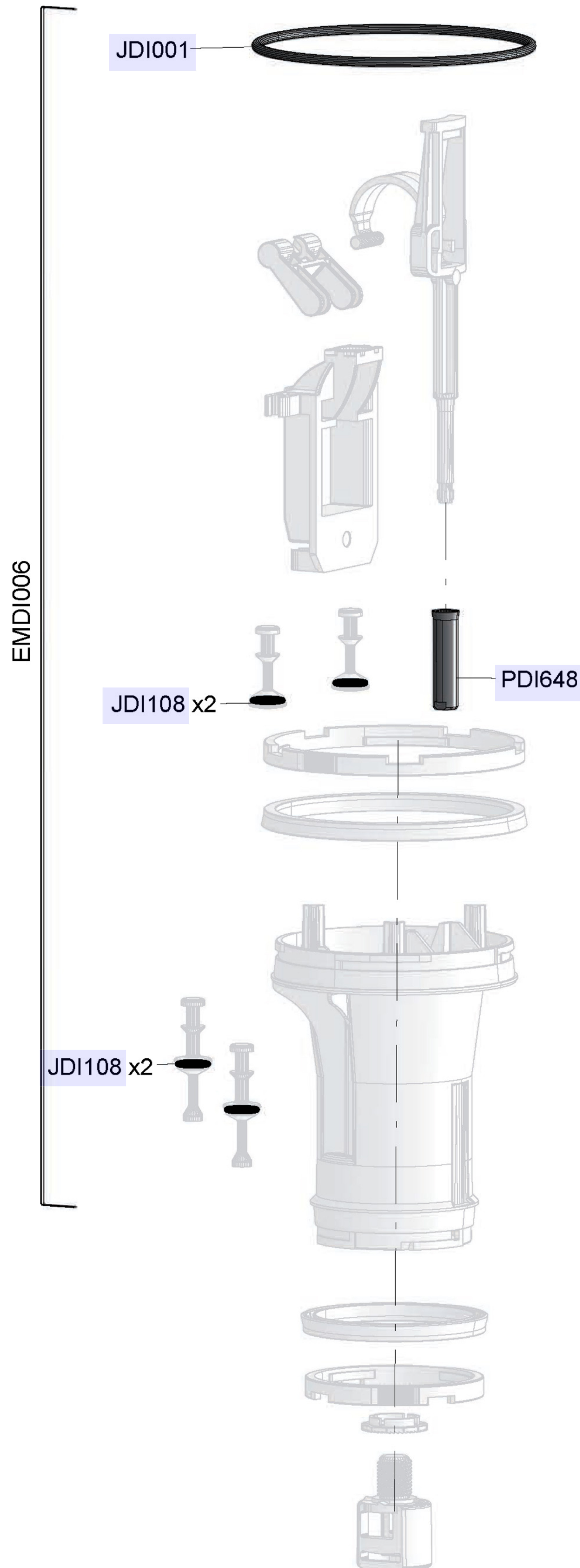
7 - 85 psi

0.5 - 6 bar



D14TMZ10

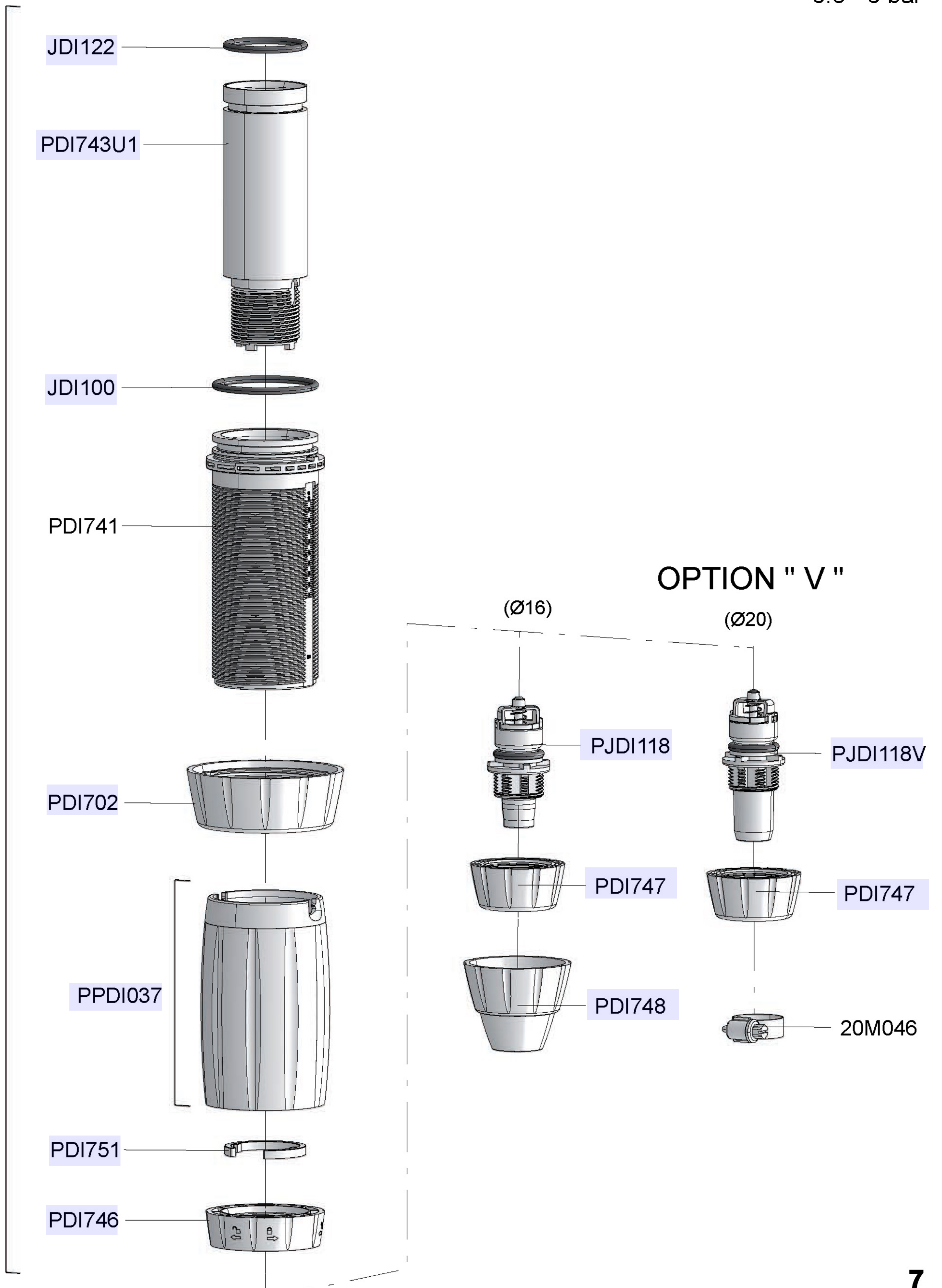
14 GPM - 1:100 - 1:10
3m³/h - 1 - 10%
7 - 85 psi
0.5 - 6 bar



D14TMZ10

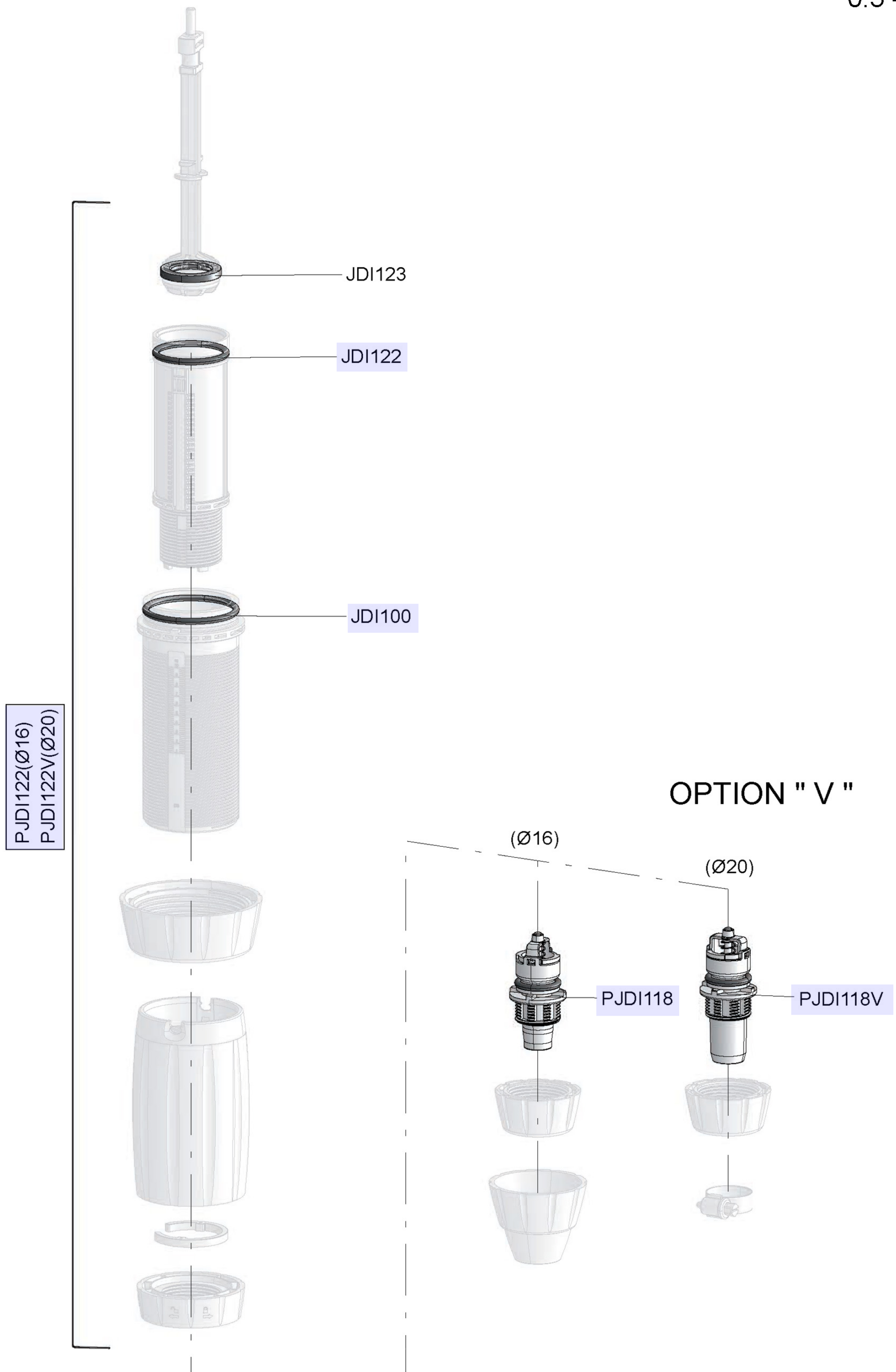
14 GPM - 1:100 - 1:10
3m³/h - 1 - 10%
7 - 85 psi
0.5 - 6 bar

CDDI076-1 (Ø16)
CDDI076V-1 (Ø20)



D14TMZ10

14 GPM - 1:100 - 1:10
3m³/h - 1 - 10%
7 - 85 psi
0.5 - 6 bar



D14TMZ10

14 GPM - 1:100 - 1:10
3m³/h - 1 - 10%
7 - 85 psi
0.5 - 6 bar

